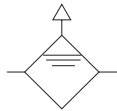


AIR BLEEDERS

- Remove air bubbles accumulating inside the piping of a low pressure hydraulic circuit, to enable stable speed control.
- The transparent body allows quick visual confirmation of air bubble occurrence.
- Push-type air bleeder button supports simple handling.
- The bleed port is equipped with a fitting, to avoid contamination of surrounding areas.

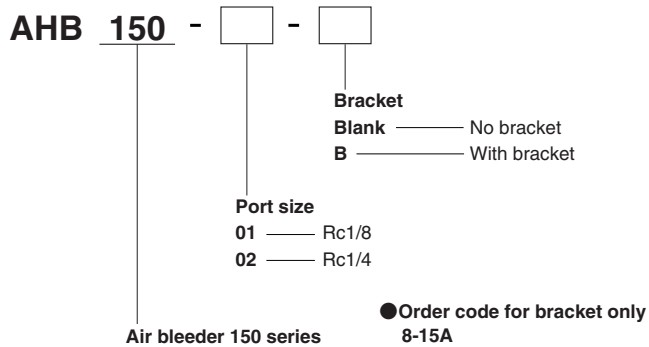
Symbol



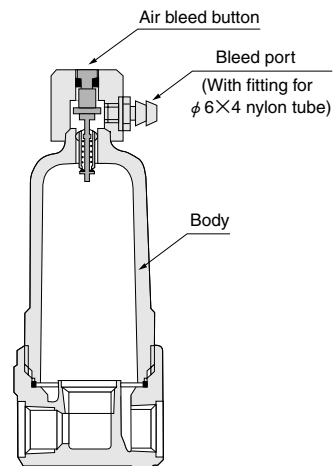
Specifications

Item	Model	AHB150-□-□
Maximum operating pressure	MPa [psi.]	0.9 [131]
Proof pressure	MPa [psi.]	1.3 [189]
Operating temperature range	°C [°F]	5~60 [41~140]
Mass	g [oz.]	160 [5.64]
Materials	Body	Polycarbonate
	Piping part	Aluminum die-casting

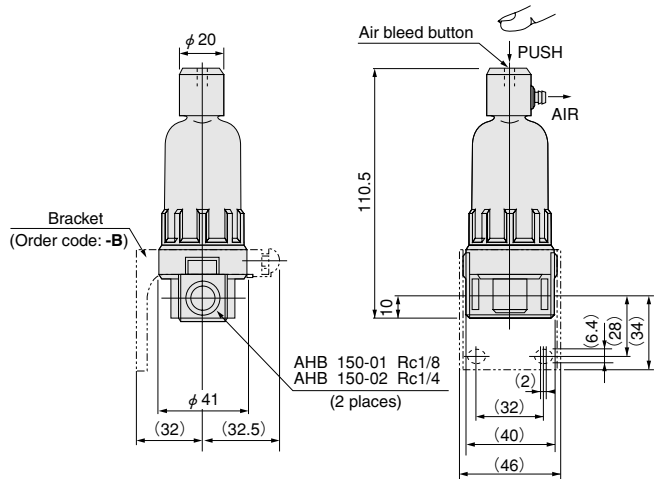
Order Codes



Inner Construction and Major Parts



Dimensions (mm)



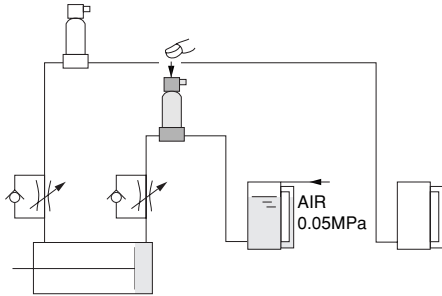
Handling Instructions and Precautions

● Mounting

- Mount the air bleeder in a vertical position.
- For the most efficient air bleed operation, mount the unit either directly onto the cylinder, or at the highest position in the piping system.
- If the piping system has an area where air bubbles tend to accumulate, mount the unit at that location.

● Bleeding the air

- Whenever air pressure is applied to the converter, press the air bleed button to bleed out the air.



- For the oil supplied to the converter, always use the recommended hydraulic oil. For recommended hydraulic oil, see p.554.
- The air bleeder body is made of polycarbonate. Avoid use in locations where the ambient atmosphere contains organic solvents, etc.