

CYLINDER ROD ENDS

Thread size M3 × 0.5 ~ M26 × 1.5

A flexible motion ensures cylinder functions!

- Eleven types are available by thread size.
Suitable for $\phi 6$ [0.236in.] ~ $\phi 100$ [3.940in.] bore cylinders.
- Because it uses a fluoro plastic liner, no lubrication is required and it is maintenance free.



Specifications

Item Model	Thread size	Applicable cylinder and bore size							The max. cylinder thrust of applicable cylinder at 0.97Mpa N [lbf.]	Allowable radial static load N [lbf.]	Mass g [oz.]
		Pen	Multi mount	Jig C (male thread specification :- B)	Slim	Twinport	DYNA	JC			
CRE-3×0.5	M3×0.5	6	6	—	—	—	—	—	27.5 [6.2]	1863.3 [419]	10 [0.35]
CRE-4×0.7	M4×0.7	10	10	—	—	—	—	—	76.5 [17.2]	3334.3 [750]	12 [0.42]
CRE-5×0.8	M5×0.8	16	16	12	—	—	—	—	195.2 [43.9]	5785.9 [1301]	18 [0.63]
CRE-6×1	M6×1	—	—	16	16 ^{Note 1}	16	—	—	305.0 [68.6]	7355.0 [1654]	26 [0.92]
CRE-8×1	M8×1	—	—	20	20, 25 ^{Note 2}	20	—	20	475.6 [106.9]	14121.6 [3175]	45 [1.59]
CRE-10×1.25	M10×1.25	—	—	25	20, 25, 32	25, 32	32	25	780.6 [175.5]	19711.4 [4432]	75 [2.65]
CRE-12×1.25	M12×1.25	—	—	—	—	—	—	—	780.6 [175.5]	23437.9 [5270]	115 [4.06]
CRE-14×1.5	M14×1.5	—	—	32, 40	40, 50, 63	40	40	32, 40	3026.3 [680.3]	25497.3 [5733]	147 [5.19]
CRE-18×1.5	M18×1.5	—	—	50, 63	—	—	50, 63	50, 63	3026.3 [680.3]	31283.2 [7034]	268 [9.45]
CRE-22×1.5	M22×1.5	—	—	80	—	—	80	80	4879.8 [1097]	48641.0 [10934]	452 [15.94]
CRE-26×1.5	M26×1.5	—	—	100	—	—	100	100	7623.7 [1714]	50504.2 [11353]	648 [22.86]

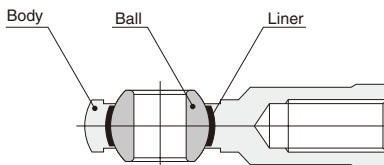
Notes: 1. For the square rod cylinders.
2. Only for the block cylinders.

Order Codes

CRE —

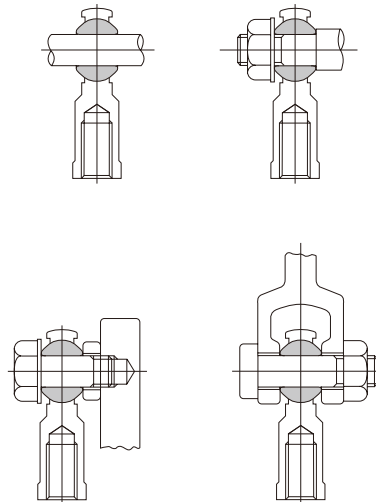
Cylinder rod end	Thread size	
3 × 0.5	M3 × 0.5	(Hole diameter for pin $\phi 3$ [0.118in.])
4 × 0.7	M4 × 0.7	(Hole diameter for pin $\phi 4$ [0.157in.])
5 × 0.8	M5 × 0.8	(Hole diameter for pin $\phi 5$ [0.197in.])
6 × 1	M6 × 1	(Hole diameter for pin $\phi 6$ [0.236in.])
8 × 1	M8 × 1	(Hole diameter for pin $\phi 8$ [0.315in.])
10 × 1.25	M10 × 1.25	(Hole diameter for pin $\phi 10$ [0.394in.])
12 × 1.25	M12 × 1.25	(Hole diameter for pin $\phi 12$ [0.472in.])
14 × 1.5	M14 × 1.5	(Hole diameter for pin $\phi 14$ [0.551in.])
18 × 1.5	M18 × 1.5	(Hole diameter for pin $\phi 18$ [0.709in.])
22 × 1.5	M22 × 1.5	(Hole diameter for pin $\phi 22$ [0.866in.])
26 × 1.5	M26 × 1.5	(Hole diameter for pin $\phi 25$ [0.984in.])

Inner Construction, Major Parts and Materials



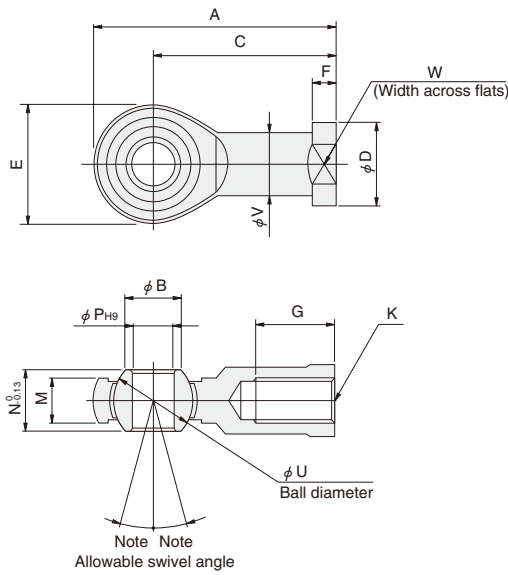
Parts	Materials
Body	Carbon steel (zinc plated)
Ball	Bearing steel (chrome plated)
Liner	Fluoro plastic

Mounting Examples

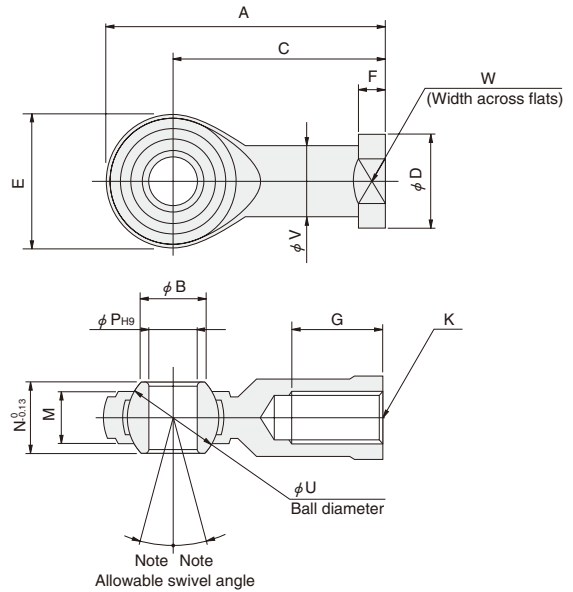
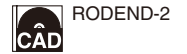


Dimensions (mm)

● CRE-3×0.5~10×1.25



● CRE-12×1.25~26×1.5

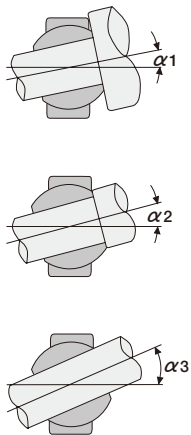


Note: The allowable swivel angle varies depending on the mating shaft. For details, see the table in Handling Instructions and Precautions.

Model	Code	A	B	C	D	E	F	G	K	M	N	P	U	V	W
CRE-3×0.5		27	5.1	20	8	14	3	6	M3×0.5	4.5	6	3	7.938	6.5	7
CRE-4×0.7		32	7.4	24	10	16	3.5	8	M4×0.7	5.2	7	4	9.525	8	8
CRE-5×0.8		35	7.7	27	11	16	4	10	M5×0.8	6	8	5	11.112	9	9
CRE-6×1		39	9	30	13	18	5	12	M6×1	6.7	9	6	12.700	10	11
CRE-8×1		47	10.4	36	16	22	5	16	M8×1	9	12	8	15.875	12.5	14
CRE-10×1.25		56	12.9	43	19	26	6.5	20	M10×1.25	10.5	14	10	19.050	15	17
CRE-12×1.25		65	15.4	50	22	30	6.5	22	M12×1.25	12	16	12	22.225	17.5	19
CRE-14×1.5		74	16.8	57	25	34	8	27	M14×1.5	14	19	14	25.400	20	22
CRE-18×1.5		92	21.8	71	31	42	10	36	M18×1.5	16.5	23	18	31.750	25	27
CRE-22×1.5		109	25.8	84	37	50	12	43	M22×1.5	20	28	22	38.100	30	32
CRE-26×1.5		122	29.6	94	42	56	12	48	M26×1.5	22	31	25	42.863	33.5	36

Handling Instructions and Precautions

- The cylinder rod end is for the air cylinder only. Consult us for any use other than for the air cylinder.
- It cannot be disassembled.
- Because it uses a fluoro plastic liner, no lubrication is required and it is maintenance free.
- The ball rotates in any direction, but do not use the cylinder rod end exceeding allowable swivel angle. Moreover, the allowable swivel angle varies depending on the mating shaft. See the table below.



Allowable swivel angle

Model	α 1	α 2	α 3
CRE-3×0.5	6°	20°	35°
CRE-4×0.7	6°	20°	35°
CRE-5×0.8	8°	13°	30°
CRE-6×1	8°	13°	30°
CRE-8×1	9°	13°	25°
CRE-10×1.25	9°	13°	25°
CRE-12×1.25	9°	13°	25°
CRE-14×1.5	10°	14°	24°
CRE-18×1.5	10°	14°	24°
CRE-22×1.5	10°	15°	23°
CRE-26×1.5	10°	15°	23°