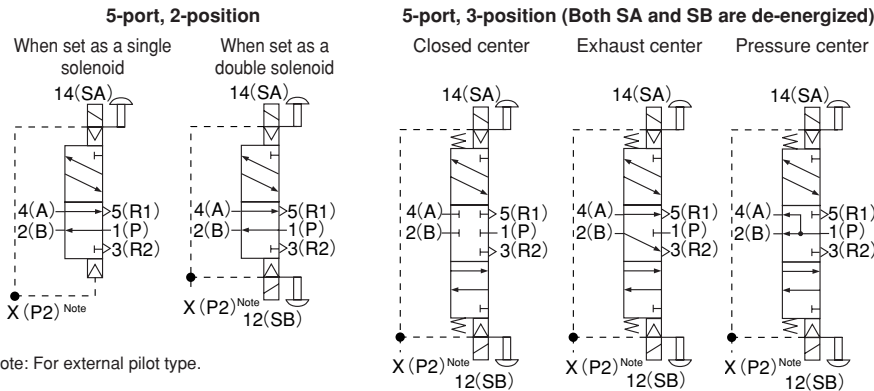


**Symbols**



Note: For external pilot type.

**Specifications**

Item	Basic model	CS-F15T1	CS-F15T3 CS-F15T4 CS-F15T5	CS-F15T1G	CS-F15T3G CS-F15T4G CS-F15T5G	CS-F15T1V	CS-F15T3V CS-F15T4V CS-F15T5V
	Media		Air				
Operation type		Internal pilot type		External pilot type (for positive pressure)		External pilot type (for vacuum)	
Effective area [CV]	mm <sup>2</sup>	10 [0.56]					
Port size		Fitting for $\phi$ 6 and $\phi$ 8, Rc1/8		M5×0.8, Fitting for $\phi$ 6 and $\phi$ 8, Rc1/8			
Lubrication		Not required					
Operating pressure range	Main valve	0.15~0.7MPa [22~102psi.]		0~0.7MPa [0~102psi.] <sup>Note1</sup>		-100kPa~0.15MPa [-29.53in.Hg~22psi.]	
	External pilot	—		0.2~0.7MPa [29~102psi.] <sup>Note1</sup>		0.2~0.7MPa [29~102psi.]	
Proof pressure	MPa [psi.]	1.05 [152]					
Response time <sup>Note2</sup>	DC12V, DC24V	20/30 or below	15/50 or below	20/30 or below	15/50 or below	20/30 or below	15/50 or below
	AC100V	20/30 or below	15/50 or below	20/30 or below	15/50 or below	20/30 or below	15/50 or below
ON/OFF time		20/30 or below	15/50 or below	20/30 or below	15/50 or below	20/30 or below	15/50 or below
Maximum operating frequency	Hz	5					
Minimum time to energize for self holding <sup>Note3</sup>	ms	50	—	50	—	50	—
Operating temperature range (atmosphere and media)	°C [°F]	5~50 [41~122]					
Shock resistance	m/s <sup>2</sup> {G}	1373 {140.0} (Axial direction 294.2 {30.0})	294.2 {30.0}	1373 {140.0} (Axial direction 294.2 {30.0})	294.2 {30.0}	1373 {140.0} (Axial direction 294.2 {30.0})	294.2 {30.0}
Mounting direction		Any					

- Notes: 1. When the main valve pressure is 0.2~0.7MPa [29~102psi.], set the external pilot pressure to the main valve pressure or higher, and to 0.7MPa [102psi.] or less.  
 2. Values when air pressure is 0.5MPa [73psi.]. The values for 2-position valves are when used as a single solenoid, and the values for 3-position valves are those when switching from the neutral position of closed center.  
 3. When used as a double solenoid valve.

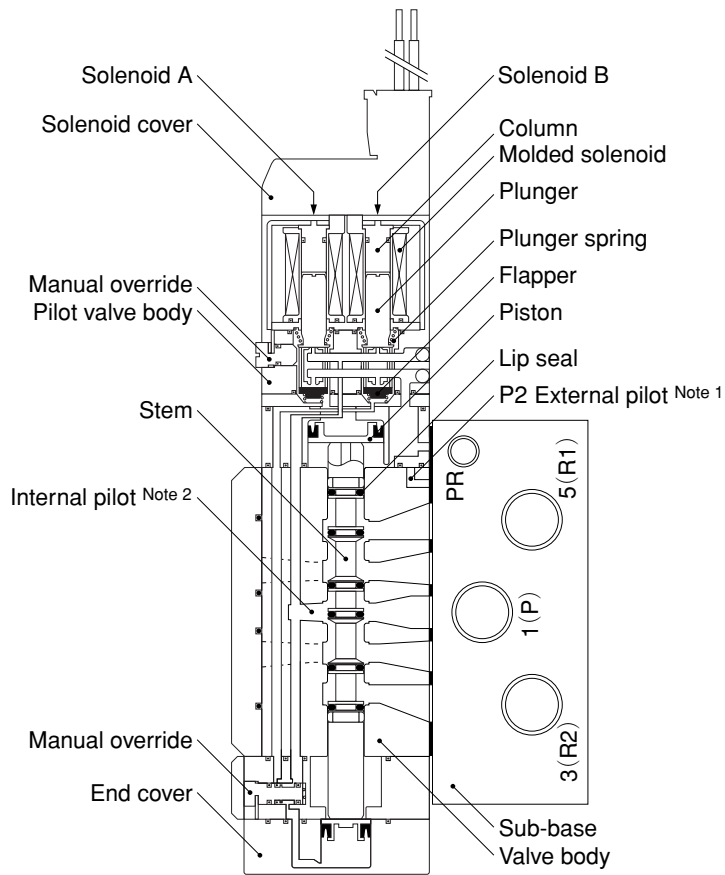
**Solenoid Specifications**

Item	Rated voltage	DC12V	DC24V	AC100V
	Voltage range	V	10.8~13.2 (12±10%)	21.6~26.4 (24±10%)
Rated frequency	Hz	—	—	50   60
Current (when rated voltage is applied)	mA (r.m.s)	—	—	10 <sup>Note 1</sup>   10 <sup>Note 1</sup>
	Starting	—	—	10 <sup>Note 1</sup>   10 <sup>Note 1</sup>
	Energizing	76	38	10 <sup>Note 1</sup>   10 <sup>Note 1</sup>
Power consumption	W	0.9	0.9	1.0VA
Allowable leakage current	mA	4.0	2.0	2.0
Insulation resistance <sup>Note 2</sup>	MΩ	Over 100		
Color of LED indicator		14(SA) : Red, 12(SB) : Green	14(SA) : Red, 12(SB) : Green	14(SA) : Red, 12(SB) : Green
Surge suppression (as standard)		Flywheel diode		Bridge diode

- Notes: 1. Since the AC types have built-in bridge diodes, the starting current and energizing current value are virtually the same.  
 2. Value at DC500V megger.

## Inner Construction and Major Parts

### ● CS-F15T1-A1



### Major Parts and Materials

Parts		Materials
Valve	Body	Aluminum die-casting
	Stem	Aluminum alloy
	Lip seal	Synthetic rubber
	Flapper	
	Sub-base	Aluminum alloy (anodized)
	Plunger	Magnetic stainless steel
	Column	
	End cover	Plastic
Manifold	Body	Monoblock Aluminum alloy (anodized)
	Block-off plate	
	Seal	Synthetic rubber

Notes: 1. For external pilot type  
 2. Not available with external pilot type

# Order Codes

<b>CS-F15</b> - <input type="text"/> - <input type="text"/> - <input type="text"/> - <input type="text"/> - <input type="text"/>											
<b>Clean system F15 series valve basic model</b>		<b>Pilot specification</b>			<b>Manual override</b>		<b>Valve outlet type</b> <sup>Note 3</sup>				
		Internal pilot	External pilot (positive pressure)	External pilot (vacuum)	Manual override button	Manual override lever (made to order) <sup>Note 1</sup>	Without inlet/outlet block	With A type outlet plate	With A type sub-base	With outlet port fitting block	With outlet port female thread block
<ul style="list-style-type: none"> <li>● For sub-base-mounted units (cannot be used for units without sub-base)</li> <li>● For A type manifold</li> <li>● For F type manifold</li> </ul>	<b>CS-F15T1</b> 2-position (Both single and double solenoid use) <b>CS-F15T3</b> 3-position (Closed center) <b>CS-F15T4</b> 3-position (Exhaust center) <b>CS-F15T5</b> 3-position (Pressure center)	<b>Blank</b>	<b>G</b>	<b>V</b>	<b>Blank</b>	<b>-R</b> <sup>Note 1</sup>	<b>Blank</b> <sup>Note 2</sup>	<b>-A1</b> <sup>Note 2</sup>	<b>-A2</b>	<b>-FJ</b> <sup>Note 2</sup>	<b>-FM</b> <sup>Note 2</sup>

Notes: 1. The manual override lever is made to order. Consult us for delivery. When the valve specification is T1, the manual override lever is available for the A side only.  
 2. Two manifold mounting screws are included.  
 3. For the outlet port size, see the table at right.

## Monoblock Manifold A type (Base Piping Type) Order Codes

<b>CS-F15M</b> <input type="text"/> <input type="text"/> <input type="text"/> <input type="text"/> <input type="text"/> <input type="text"/> <input type="text"/> <input type="text"/> <input type="text"/>										
<b>Clean system F15 series manifold basic model</b>	<b>Number of units</b>	<b>A</b>	<b>Manifold outlet specification</b>		<b>Pilot specification</b>		<b>Station</b> <sup>Note 1</sup>	<b>Valve size</b>	<b>Valve specification</b>	<b>Pilot specification</b>
	<b>2</b> : 2 units <b>3</b> : 3 units ⋮ <b>20</b> : 20 units		With fitting block: $\phi 6, \phi 8$	With female thread block: Rc1/8	Internal pilot	External pilot	<b>stn.1</b> : First <b>stn.2</b> : Second <b>stn.3</b> : Third ⋮ <b>stn.20</b> : 20th	<b>CS-F15</b>	<b>T1</b> : 2-position, single solenoid specification <b>T2</b> : 2-position, double solenoid specification <sup>Note 2</sup> <b>T3</b> : 3-position, closed center <b>T4</b> : 3-position, exhaust center <b>T5</b> : 3-position, pressure center	<b>Blank</b> <b>G</b> <b>V</b>
<b>CS-F15M</b>			<b>J</b>	<b>M</b>	<b>Blank</b>	<b>G</b>				

Notes: 1. Valve mounting location is from the left, with the solenoid on top and the valve in front.  
 2. This is a special model when ordering manifolds. If ordering valves only for repairs, etc., order CS-F□T1, and switch to the double solenoid specification for use.  
 3. The manual override lever is made to order. Consult us for delivery. When the valve specification is T1 or T2, the manual override lever is available for the A side only.  
 4. Always enter -A1.

## Monoblock Manifold F type (Direct Piping Type) Order Codes

<b>CS-F15M</b> <input type="text"/> <input type="text"/> <input type="text"/> <input type="text"/> <input type="text"/> <input type="text"/> <input type="text"/>								
<b>Clean system F15 series manifold basic model</b>	<b>Number of units</b>	<b>F</b>	<b>Station</b> <sup>Note 1</sup>	<b>Valve size</b>	<b>Valve specification</b>	<b>Manual override</b>	<b>Valve outlet type</b>	
	<b>2</b> : 2 units <b>3</b> : 3 units ⋮ <b>20</b> : 20 units		<b>stn.1</b> : First <b>stn.2</b> : Second <b>stn.3</b> : Third ⋮ <b>stn.20</b> : 20th	<b>CS-F15</b>	<b>T1</b> : 2-position, single solenoid specification <b>T2</b> : 2-position, double solenoid specification <sup>Note 2</sup> <b>T3</b> : 3-position, closed center <b>T4</b> : 3-position, exhaust center <b>T5</b> : 3-position, pressure center	<b>Blank</b>	<b>-R</b> <sup>Note 3</sup>	<b>Without outlet port fitting block</b> <b>With outlet port female thread block</b>
<b>CS-F15M</b>								

Notes: 1. Valve mounting location is from the left, with the solenoid on top and the valve in front.  
 2. This is a special model when ordering manifolds. If ordering valves only for repairs, etc., order CS-F□T1, and switch to the double solenoid specification for use.  
 3. The manual override lever is made to order. Consult us for delivery. When the valve specification is T1 or T2, the manual override lever is available for the A side only.

Wiring specification						Voltage
L type plug connector			S type plug connector			DC24V DC12V AC100V
Without connector	Lead wire		Without connector	Lead wire		
	300mm [11.8in.]	3000mm [118in.]		300mm [11.8in.]	3000mm [118in.]	
Blank	-PL	-PL3	-PN	-PS	-PS3	

Valve outlet type (code)	Outlet port size
-A2	Rc1/8
-FJ	φ6, φ8
-FM	Rc1/8

Manual override	Valve outlet type	Wiring specification										Voltage
Blank -R <sup>Note 3</sup>	-A1 <sup>Note 4</sup>	L type connector					S type connector					DC24V DC12V AC100V
		Without connector	Lead wire		Pre-wired positive common terminal		Without connector	Lead wire		Pre-wired positive common terminal		
			300mm [11.8in.]	3000mm [118in.]	Lead wire 300mm [11.8in.]	Lead wire 3000mm [118in.]		300mm [11.8in.]	3000mm [118in.]	Lead wire 300mm [11.8in.]	Lead wire 3000mm [118in.]	
		Blank	-PL	-PL3	-CPL	-CPL3	-PN	-PS	-PS3	-CPS	-CPS3	

CS-F [Valve size] BP (for block-off plate)

Wiring specification										Voltage
L type connector					S type connector					DC24V DC12V AC100V
Without connector	Lead wire		Pre-wired positive common terminal		Without connector	Lead wire		Pre-wired positive common terminal		
	300mm [11.8in.]	3000mm [118in.]	Lead wire 300mm [11.8in.]	Lead wire 3000mm [118in.]		300mm [11.8in.]	3000mm [118in.]	Lead wire 300mm [11.8in.]	Lead wire 3000mm [118in.]	
Blank	-PL	-PL3	-CPL	-CPL3	-PN	-PS	-PS3	-CPS	-CPS3	

CS-F [Valve size] BP (for block-off plate)

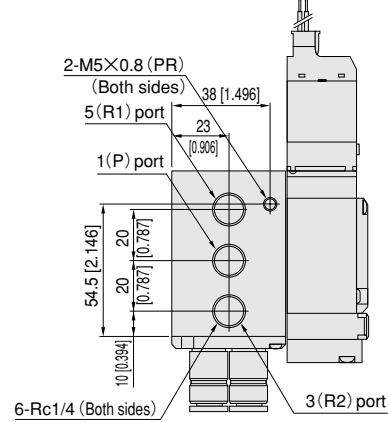


# Dimensions of Monoblock Manifold A Type, F Type mm [in.]

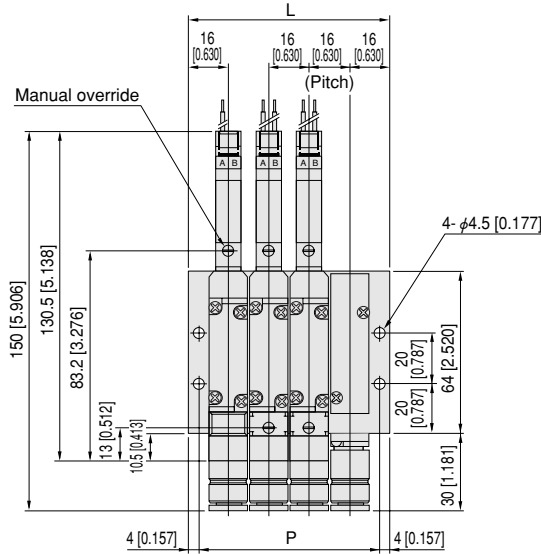
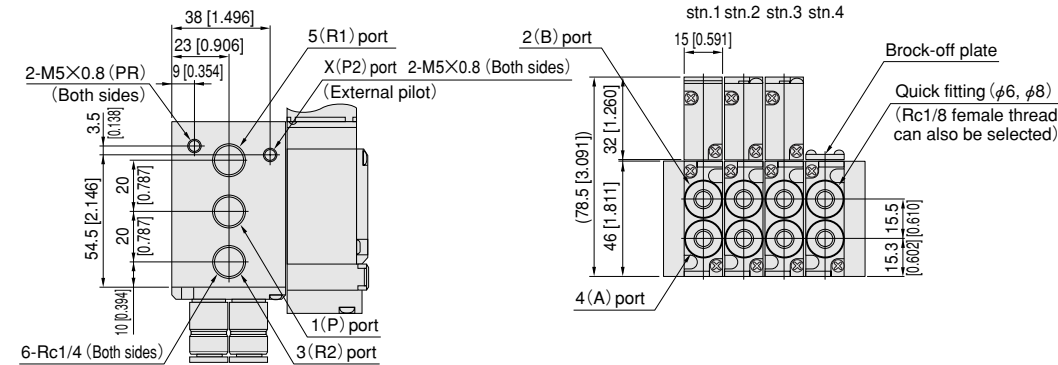
## CS-F15M Number of units A J Pilot specification (base piping type)

Monoblock manifold A type  
Manifold with outlet port different size fitting blocks  
S type plug connector

### ● Internal pilot specification



### ● External pilot specification

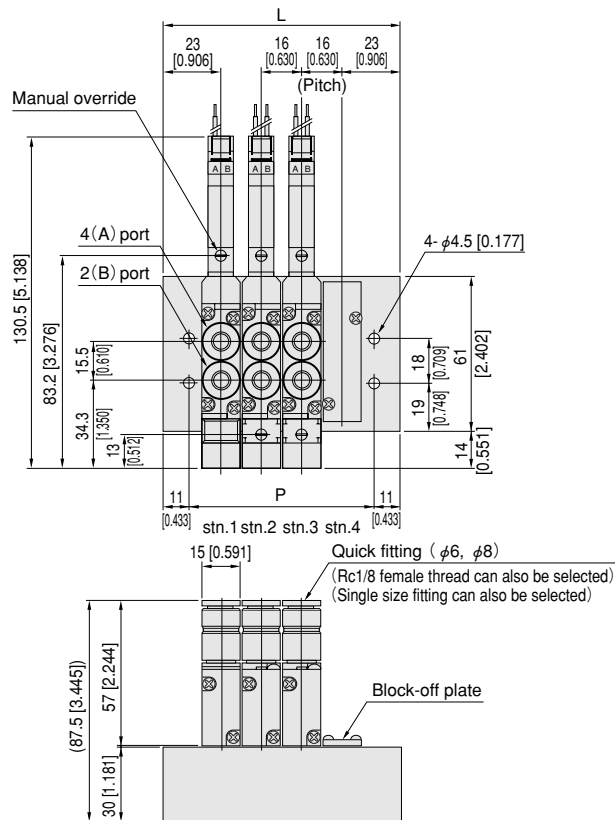
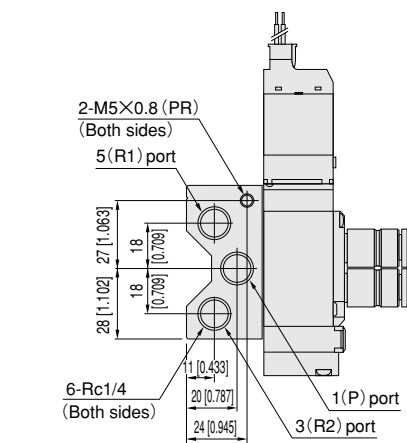


### Unit dimensions

No. of units	L	P
2	48 [1.890]	40 [1.575]
3	64 [2.520]	56 [2.205]
4	80 [3.150]	72 [2.835]
5	96 [3.780]	88 [3.465]
6	112 [4.409]	104 [4.094]
7	128 [5.039]	120 [4.724]
8	144 [5.669]	136 [5.354]
9	160 [6.299]	152 [5.984]
10	176 [6.929]	168 [6.614]
11	192 [7.559]	184 [7.244]
12	208 [8.189]	200 [7.874]
13	224 [8.819]	216 [8.504]
14	240 [9.449]	232 [9.134]
15	256 [10.079]	248 [9.764]
16	272 [10.709]	264 [10.394]
17	288 [11.339]	280 [11.024]
18	304 [11.969]	296 [11.654]
19	320 [12.598]	312 [12.283]
20	336 [13.228]	328 [12.913]

## CS-F15M Number of units F (direct piping type)

Monoblock manifold F type  
Valves with outlet port different size fitting blocks  
S type plug connector



### Unit dimensions

No. of units	L	P
2	62 [2.441]	40 [1.575]
3	78 [3.071]	56 [2.205]
4	94 [3.701]	72 [2.835]
5	110 [4.331]	88 [3.465]
6	126 [4.961]	104 [4.094]
7	142 [5.591]	120 [4.724]
8	158 [6.220]	136 [5.354]
9	174 [6.850]	152 [5.984]
10	190 [7.480]	168 [6.614]
11	206 [8.110]	184 [7.244]
12	222 [8.740]	200 [7.874]
13	238 [9.370]	216 [8.504]
14	254 [10.000]	232 [9.134]
15	270 [10.630]	248 [9.764]
16	286 [11.260]	264 [10.394]
17	302 [11.890]	280 [11.024]
18	318 [12.520]	296 [11.654]
19	334 [13.150]	312 [12.283]
20	350 [13.780]	328 [12.913]