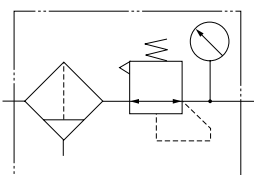


# KOGANEI CLEAN SYSTEM FILTER REGULATORS

## CS-FR150, CS-FR300, CS-FR600



### Symbol

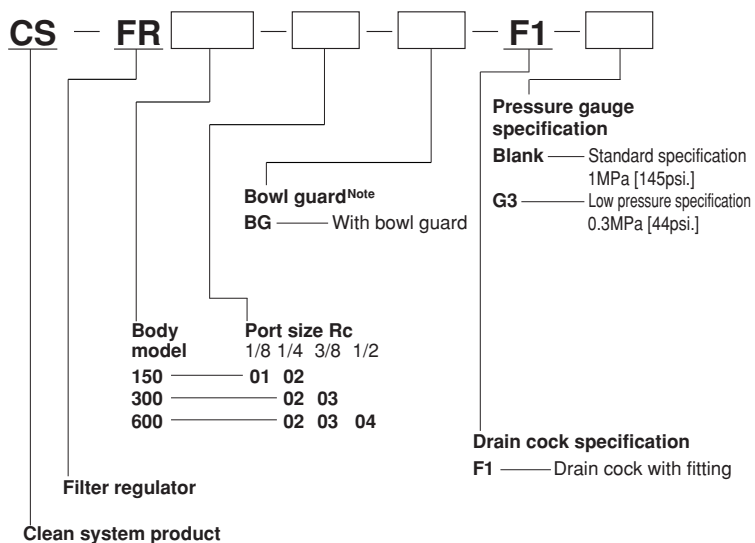


### Specifications

Item	Model	CS-FR150	CS-FR300	CS-FR600
Media		Air		
Port size	Rc	1/8, 1/4	1/4, 3/8	1/4, 3/8, 1/2
Filtration rating	$\mu\text{m}$	5		
Pressure setting range	MPa [psi.]	0.05~0.83 [7~120]		
Maximum operating pressure	MPa [psi.]	0.93 [135]		
Proof pressure	MPa [psi.]	1.47 [213]		
Operating temperature range (atmosphere and media)	$^{\circ}\text{C}$ [ $^{\circ}\text{F}$ ]	5~60 [41~140]		
Drain capacity	cc [ $\text{in}^3$ ]	15 [0.92]	55 [3.36]	90 [5.49]
Mass (with pressure gauge) kg [lb.]	Standard	0.28 [0.62] (0.29 [0.64]) <sup>Note</sup>	0.46 [1.01]	0.60 [1.32]
Materials	Body	Aluminum die-casting	Zinc die-casting	Aluminum die-casting
	Bowl	Polycarbonate		
Standard attachments		Bracket, push type drain cock with fitting	Bracket, screw type drain cock with fitting, bowl guard	

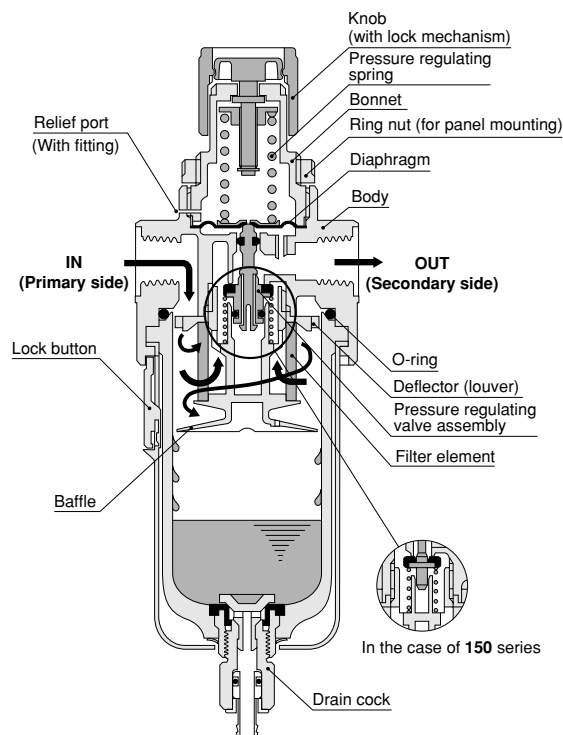
Note: Figure in parentheses ( ) shows mass with bowl guard.

### Order Codes



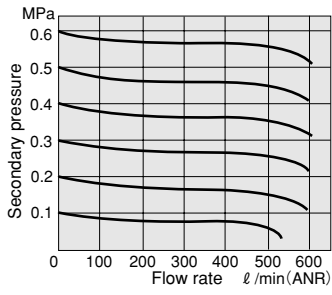
Note: For CS-FR150 only, enter -BG.  
For CS-FR300 and CS-FR600, no entry is needed because the item is standard equipment.

### Inner Construction and Major parts

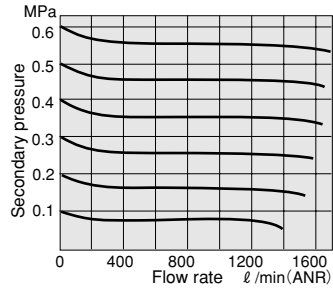


## Flow Rate Characteristics

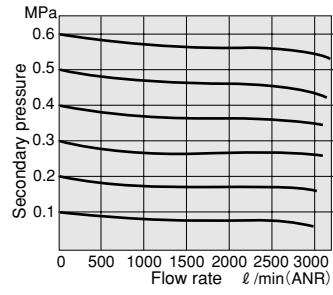
● CS-FR150



● CS-FR300



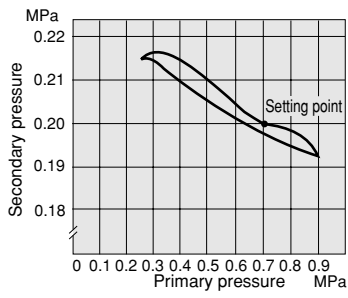
● CS-FR600



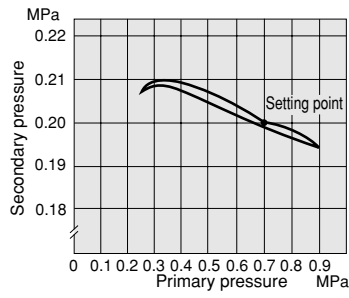
1MPa = 145psi., 1 l/min = 0.0353ft<sup>3</sup>/min.

## Pressure Characteristics

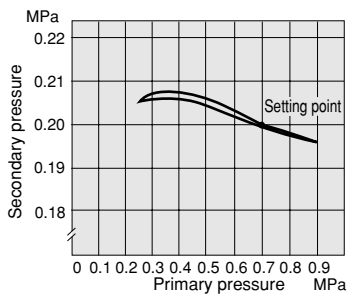
● CS-FR150



● CS-FR300



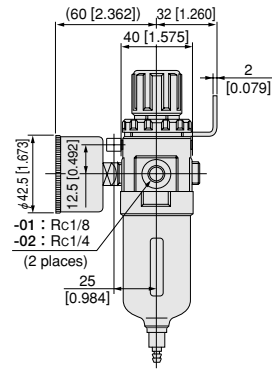
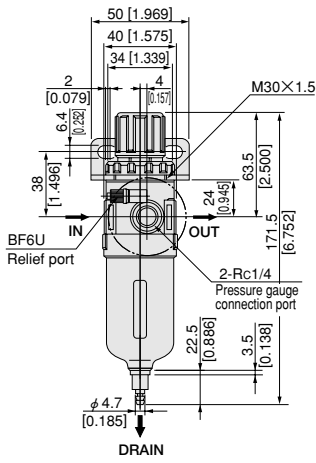
● CS-FR600



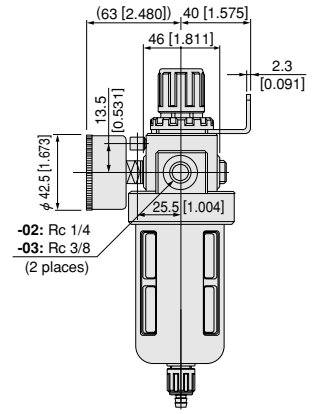
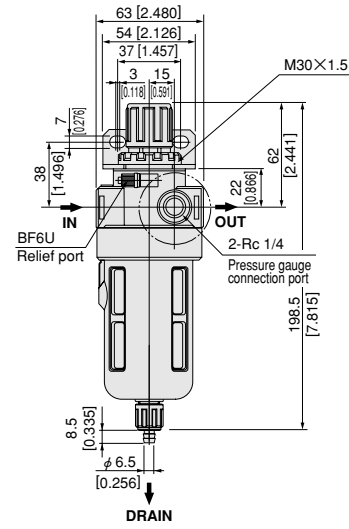
1MPa = 145psi.

# Dimensions mm [in.]

## ● CS-FR150



## ● CS-FR300



## ● CS-FR600

