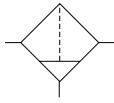


KOGANEI CLEAN SYSTEM AIR FILTERS

CS-F150, CS-F300, CS-F600



Symbol

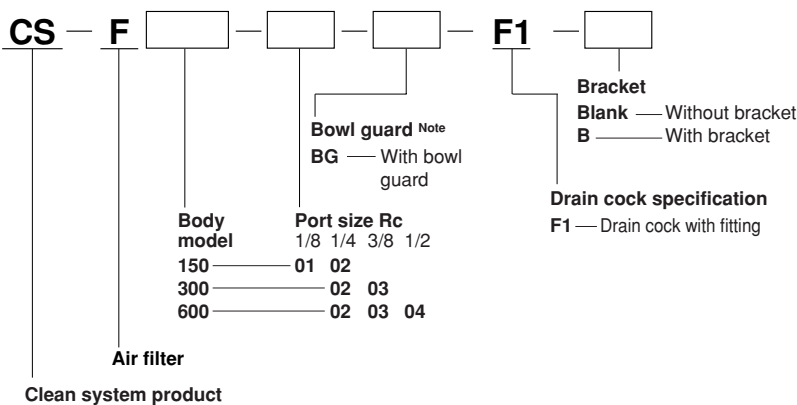


Specifications

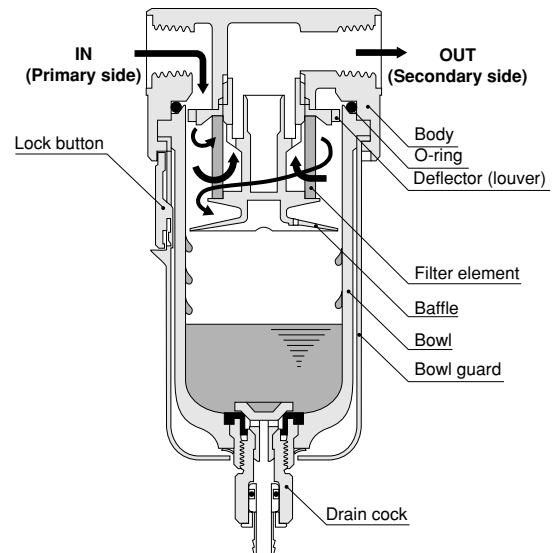
Item	Model	CS-F150	CS-F300	CS-F600
Media		Air		
Port size	Rc	1/8, 1/4	1/4, 3/8	1/4, 3/8, 1/2
Filtration rating	μm	5		
Maximum operating pressure	MPa [psi.]	0.93 [135]		
Proof pressure	MPa [psi.]	1.47 [213]		
Operating temperature range (atmosphere and media)	$^{\circ}\text{C}$ [$^{\circ}\text{F}$]	5~60 [41~140]		
Drain capacity	cc [in. ³]	15 [0.92]	55 [3.36]	90 [5.49]
Mass	kg [lb.]	0.14 [0.31] (0.15 [0.33]) ^{Note}	0.33 [0.73]	0.38 [0.84]
	Standard			
Materials	Body	Aluminum die-casting	Zinc die-casting	Aluminum die-casting
	Bowl	Polycarbonate		
Standard attachments		Push type drain cock with fitting	Screw type drain cock with fitting, bowl guard	

Note: Figure in parentheses () shows mass with bowl guard.

Order Codes



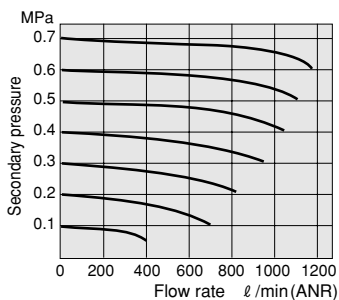
Inner Construction and Major parts



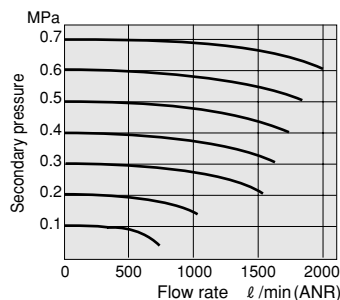
Note: For CS-FR150 only, enter -BG.
For CS-FR300 and CS-FR600, no entry is needed because the item is standard equipment.

Flow Rate Characteristics

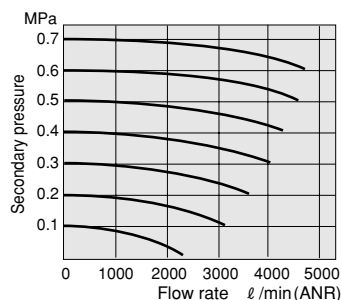
● CS-F150



● CS-F300



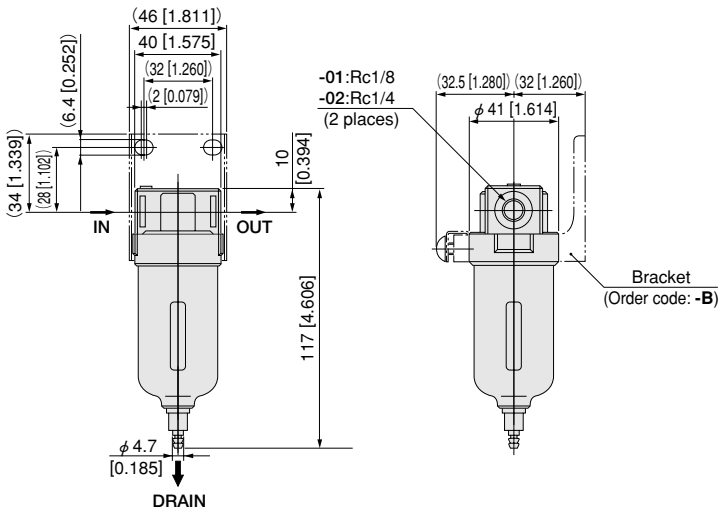
● CS-F600



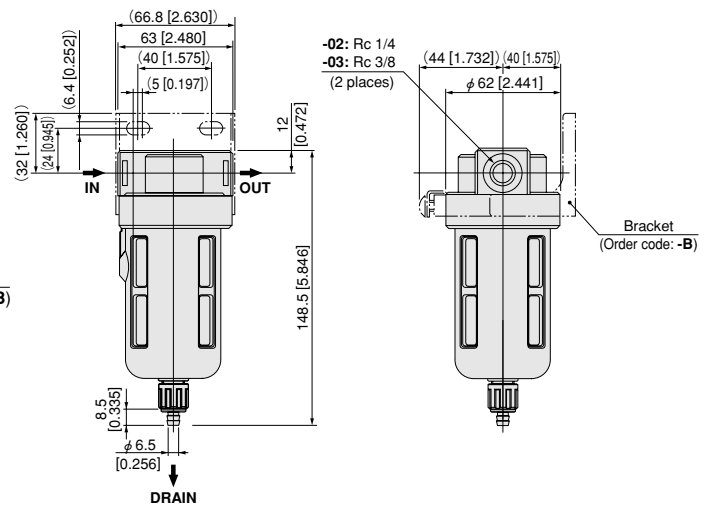
1MPa = 145psi., 1 l/min = 0.0353ft³/min.

Dimensions mm [in.]

● CS-F150



● CS-F300



● CS-F600

