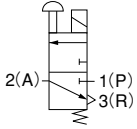
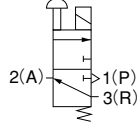


Symbols

**3-port
Normally closed (NC)**



**3-port
Normally open (NO)**



Specifications

Basic Models and Functions

Basic model	For direct piping, F type manifold <small>Note1</small>			For A type manifold <small>Note2</small>		
	CS-G010E1(-11) CS-GV010E1(-11) (standard)	CS-G010LE1(-11) CS-GV010LE1(-11) (low current)	CS-G010HE1(-11) CS-GV010HE1(-11) (large flow)	CS-GA010E1(-11) CS-GAV010E1(-11) (standard)	CS-GA010LE1(-11) CS-GAV010LE1(-11) (low current)	CS-GA010HE1(-11) CS-GAV010HE1(-11) (large flow)
Item						
Number of positions	2 positions					
Number of ports	2, 3 ports					
Valve function	Normally closed (NC, standard) or normally open (NO, option)					

Remark: For optional specifications and order codes, see p.127~128.

Notes: 1. When using the **CS-G010□E1**, **CS-GV010□E1** as a single unit, select it with a mounting base.

2. When using the **CS-GA010□E1**, **CS-GAV010□E1** as a single unit, select it with a sub-base.

Specifications (Positive Pressure)

Item	Basic model	Direct piping, F type manifold			A type manifold		
		CS-G010E1 (standard)	CS-G010LE1 (low current)	CS-G010HE1 (large flow)	CS-GA010E1 (standard)	CS-GA010LE1 (low current)	CS-GA010HE1 (large flow)
Media	Air						
Operation type	Direct acting type						
Effective area [Cv] mm ²	1 (P) → 2 (A)	0.2 [0.011]	0.1 [0.006]	0.45 [0.025]	0.2 [0.011]	0.1 [0.006]	0.45 [0.025]
	2 (A) → 3 (R)	0.3 [0.017]	0.2 [0.011]	0.6 [0.033]	0.3 [0.017]	0.2 [0.011]	0.6 [0.033]
Port size	M3×0.5			M5×0.8			
Lubrication	Not required						
Operating pressure range MPa [psi.]	0~0.7 [0~102]						
Proof pressure MPa [psi.]	1.05 [152]						
Response time ^{Note1} ON/OFF ms	4/8	5/10	3/6	4/8	5/10	3/6	
Maximum operating frequency Hz	5						
Operating temp. range (atmosphere and media) °C [°F] ^{Note2}	5~50 [41~122]						
Shock resistance m/s ² [G]	1373.0 {140} (Axial direction 196.2 {20})						
Rated voltage ^{Note3}	(DC5V,DC6V) DC12V,DC24V AC100V,(AC200V)	(DC5V,DC6V) DC12V,DC24V	(DC12V) DC24V	(DC5V,DC6V) DC12V,DC24V AC100V,(AC200V)	(DC5V,DC6V) DC12V,DC24V	(DC12V) DC24V	
Mounting direction	Any						

Item	Basic model	Direct piping, F type manifold			A type manifold		
		CS-G010E1-11 (standard)	CS-G010LE1-11 (low current)	CS-G010HE1-11 (large flow)	CS-GA010E1-11 (standard)	CS-GA010LE1-11 (low current)	CS-GA010HE1-11 (large flow)
Media	Air						
Operation type	Direct acting type						
Effective area [Cv] mm ²	2 (A) → 1 (P)	0.3 [0.017]	0.15 [0.008]	0.55 [0.031]	0.3 [0.017]	0.15 [0.008]	0.55 [0.031]
	3 (R) → 2 (A)	0.2 [0.011]	0.1 [0.006]	0.45 [0.025]	0.2 [0.011]	0.1 [0.006]	0.45 [0.025]
Port size	M3×0.5			M5×0.8			
Lubrication	Not required						
Operating pressure range MPa [psi.]	0~0.7 [0~102]		0~0.5 [0~73]	0~0.7 [0~102]		0~0.5 [0~73]	
Proof pressure MPa [psi.]	1.05 [152]						
Response time ^{Note1} ON/OFF ms	4/8	5/10	3/6	4/8	5/10	3/6	
Maximum operating frequency Hz	5						
Operating temp. range (atmosphere and media) °C [°F] ^{Note2}	5~50 [41~122]						
Shock resistance m/s ² [G]	1373.0 {140} (Axial direction 196.2 {20})						
Rated voltage ^{Note3}	(DC5V,DC6V) DC12V,DC24V AC100V,(AC200V)	(DC5V,DC6V) DC12V,DC24V	(DC12V) DC24V	(DC5V,DC6V) DC12V,DC24V AC100V,(AC200V)	(DC5V,DC6V) DC12V,DC24V	(DC12V) DC24V	
Mounting direction	Any						
Air supply port	3(R) port						

Notes: 1. Values when air pressure is 0.5MPa [73psi.]. Due to switching phase timing, add a maximum of 5ms to the AC response time.

2. Take heat radiation measures to ensure that the ambient temperature (or when used in a control box, the internal temperature of the box) always remains within the temperature range specifications.
And for long-time continuous energizing, consult us.

3. Values in parentheses () are for made to order items. See the corresponding table of solenoid options/voltage on p.132.

Specifications (Vacuum)

Item	Basic model	Direct piping, F type manifold			A type manifold		
		CS-GV010E1 (standard)	CS-GV010LE1 (low current)	CS-GV010HE1 (large flow)	CS-GAV010E1 (standard)	CS-GAV010LE1 (low current)	CS-GAV010HE1 (large flow)
Media		Air					
Operation type		Direct acting type					
Effective area [Cv] mm ²	1(P)→2(A)	0.3[0.017]	0.15[0.008]	0.55[0.031]	0.3[0.017]	0.15[0.008]	0.55[0.031]
	2(A)→3(R)	0.2[0.011]	0.1[0.006]	0.45[0.025]	0.2[0.011]	0.1[0.006]	0.45[0.025]
Port size		M3×0.5			M5×0.8		
Lubrication		Not required					
Operating pressure range MPa [psi.]	1(P) port	-100kPa~0 [-29.53in.Hg~0]					
	3(R) port	0~0.5 [0~73]		0~0.4 [0~58]	0~0.5 [0~73]		0~0.4 [0~58]
Proof pressure	MPa [psi.]	1.05 [152]					
Response time ^{Note 1} ON/OFF	ms	4/8	5/10	3/6	4/8	5/10	3/6
Maximum operating frequency	Hz	5					
Operating temp. range (atmosphere and media)	°C [°F] ^{Note2}	5~50 [41~122]					
Shock resistance	m/s ² {G}	1373.0 {140} (Axial direction 196.2 {20})					
Rated voltage ^{Note 3}	(DC5V,DC6V) DC12V,DC24V AC100V,(AC200V)	(DC5V,DC6V) DC12V,DC24V	(DC12V) DC24V	(DC5V,DC6V) DC12V,DC24V AC100V,(AC200V)	(DC5V,DC6V) DC12V,DC24V	(DC12V) DC24V	
Mounting direction		Any					
Air supply port	Vacuum	1(P) port					
	Positive pressure	3(R) port					

Item	Basic model	Direct piping, F type manifold			A type manifold		
		CS-GV010E1-11 (standard)	CS-GV010LE1-11 (low current)	CS-GV010HE1-11 (large flow)	CS-GAV010E1-11 (standard)	CS-GAV010LE1-11 (low current)	CS-GAV010HE1-11 (large flow)
Media		Air					
Operation type		Direct acting type					
Effective area [Cv] mm ²	2(A)→1(P)	0.2[0.011]	0.1[0.006]	0.45[0.025]	0.2[0.011]	0.1[0.006]	0.45[0.025]
	3(R)→2(A)	0.3[0.017]	0.2[0.011]	0.6[0.033]	0.3[0.017]	0.2[0.011]	0.6[0.033]
Port size		M3×0.5			M5×0.8		
Lubrication		Not required					
Operating pressure range MPa [psi.]	1(P) port	0~0.5 [0~73]		0~0.4 [0~58]	0~0.5 [0~73]		0~0.4 [0~58]
	3(R) port	-100kPa~0 [-29.53in.Hg~0]					
Proof pressure	MPa [psi.]	1.05 [152]					
Response time ^{Note 1} ON/OFF	ms	4/8	5/10	3/6	4/8	5/10	3/6
Maximum operating frequency	Hz	5					
Operating temp. range (atmosphere and media)	°C [°F] ^{Note2}	5~50 [41~122]					
Shock resistance	m/s ² {G}	1373.0 {140} (Axial direction 196.2 {20})					
Rated voltage ^{Note 3}	(DC5V,DC6V) DC12V,DC24V AC100V,(AC200V)	(DC5V,DC6V) DC12V,DC24V	(DC12V) DC24V	(DC5V,DC6V) DC12V,DC24V AC100V,(AC200V)	(DC5V,DC6V) DC12V,DC24V	(DC12V) DC24V	
Mounting direction		Any					
Air supply port	Vacuum	3(R) port					
	Positive pressure	1(P) port					

- Notes: 1. Values when air pressure is 0.5MPa [73psi.]. Due to the switching phase timing, add a maximum of 5ms to the AC response time.
2. Take heat radiation measures to ensure that the ambient temperature (or when used in a control box, the internal temperature of the box) always remains within the temperature range specifications.
And for long-time continuous energizing, consult us.
3. Values in parentheses () are for made to order items. See the corresponding table of solenoid options/voltage on p.132.

Solenoid Specifications

Rated voltage		DC5V	DC6V	DC12V	DC24V	AC100V <small>Note</small>	AC200V <small>Note</small>
Operating voltage range	V	4.5~5.5 (5±10%)	5.4~6.6 (6±10%)	10.8~13.2 (12±10%)	21.6~26.4 (24±10%)	90~110 (100±10%)	180~220 (200±10%)
CS-G(A)(V)010HE1	Current (when rated voltage is applied) mA(r.m.s)	200	168	84	42	11	8
	Power consumption	1.0W				1.1VA	1.6VA
	Allowable leakage current mA	2.0				1.0	
CS-G(A)(V)010LE1	Current (when rated voltage is applied) mA(r.m.s)	100	84	42	21	_____	_____
	Power consumption	0.5W				_____	_____
	Allowable leakage current mA	1.0				_____	_____
CS-G(A)(V)010HE1	Current (when rated voltage is applied)	Starting mA	_____	267	133	_____	_____
		Holding mA	_____	92	46	_____	_____
	Power consumption	Starting W	_____	3.2		_____	_____
		Holding W	_____	1.1		_____	_____
	Allowable leakage current mA	_____	10	5	_____	_____	
	Start-up time (standard time) ms	_____	48	27	_____	_____	
Insulation resistance	MΩ	Over 100					
Wiring type and lead wire length		Grommet type: 300mm [11.8in.], Plug connector type: 300mm [11.8in.]					
Color of lead wire		Red (+), Black (-)				Yellow	White
Color of LED indicator		Red					
Surge suppression (as standard)		Flywheel diode				Bridge diode	

Note: Since the AC types have built-in bridge diodes, the starting current value and energizing current value are virtually the same. In addition, the rated frequencies are 50Hz and 60Hz. Specification values are the same for both.

Order Codes

		2-, 3-port valve Number of ports	2-, 3-port valve Valve function	Mounting base	Sub-base	Wiring type	Voltage		
		3-port Blank	Blank Normally closed (NC) -11 Normally open (NO)	Without mounting base Blank	Without sub-base Blank	● Lead wire length: 300mm [11.8in.] is standard. Grommet type with LED indicator Blank			
		2-port -2		With mounting base -21 ● Attached to a valve body at shipping.	With sub-base -25 ● Attached to a valve body at shipping.	Straight connector with LED indicator -PS			
						L connector with LED indicator -PL			
Direct piping	Positive pressure	2-, 3-port standard type	CS-G010E1	-2	-11 Note 2	-21 Note 1	-PS	-PL	DC12V,DC24V,AC100V
		2-, 3-port low current type	CS-G010LE1						DC12V,DC24V
		2-, 3-port large flow type	CS-G010HE1						DC24V
	Vacuum	2-, 3-port standard type	CS-GV010E1						DC12V,DC24V,AC100V
		2-, 3-port low current type	CS-GV010LE1						DC12V,DC24V
		2-, 3-port large flow type	CS-GV010HE1						DC24V
Sub-base piping	Positive pressure	2-, 3-port standard type	CS-GA010E1	-2	-11 Note 2	-25 Note 1	-PS	-PL	DC12V,DC24V,AC100V
		2-, 3-port low current type	CS-GA010LE1						DC12V,DC24V
		2-, 3-port large flow type	CS-GA010HE1						DC24V
	Vacuum	2-, 3-port standard type	CS-GAV010E1						DC12V,DC24V,AC100V
		2-, 3-port low current type	CS-GAV010LE1						DC12V,DC24V
		2-, 3-port large flow type	CS-GAV010HE1						DC24V

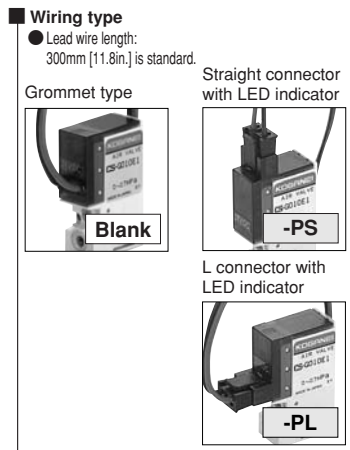
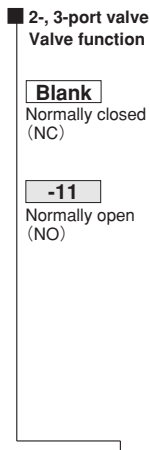
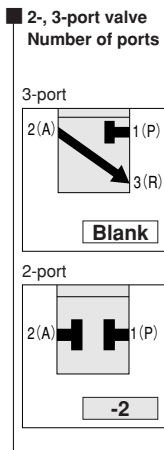
Notes: 1. When using the solenoid valve as a single unit, always select it either with mounting base or with sub-base.
 2. Normally closed (NC) and normally open (NO) valves cannot be mounted together on the same manifold.

Made to Order (After the wiring order code, enter the codes below.)

Straight connector with LED indicator Negative common -MS	L connector with LED indicator Negative common -ML	Lead wire length -1L -3L ● For plug connector ● Length -1L: 1000 [39in.] (mm) -3L: 3000 [118in.]	Voltage specifications ● CS-G□010E1 : DC5V,DC6V,AC200V ● CS-G□010LE1 : DC5V,DC6V ● CS-G□010HE1 : DC12V ● For AC110V~120V, AC220V~240V specifications, consult us.				
Straight connector with LED indicator (Without connector, contact and lead wire) Negative common -MSX	Straight connector with LED indicator (Without connector, contact and lead wire) Positive common -PSX	L connector with LED indicator (Without connector, contact and lead wire) Negative common -MLX	L connector with LED indicator (Without connector, contact and lead wire) Positive common -PLX	Straight connector with LED indicator (Connector, contact included.) Without lead wire Negative common -MSN	Straight connector with LED indicator (Connector, contact included.) Without lead wire Positive common -PSN	L connector with LED indicator (Connector, contact included.) Without lead wire Negative common -MLN	L connector with LED indicator (Connector, contact included.) Without lead wire Positive common -PLN

Manifold Order Codes

Manifold model Number of units		Station	Basic model	2, 3-port valve Number of ports	2, 3-port valve Valve function	Wiring type	Voltage
P, R port (M5×0.8) type CS-G010M	2 ⋮ 20	F	CS-G010E1	Blank	Blank Normally closed (NC)	Blank	DC12V,DC24V,AC100V
			CS-G010LE1				DC12V,DC24V
			CS-G010HE1				DC24V
			CS-GV010E1				DC12V,DC24V,AC100V
			CS-GV010LE1				DC12V,DC24V
			CS-GV010HE1				DC24V
		A	CS-GA010E1	-2	-11	-PS -PL	DC12V,DC24V,AC100V
			CS-GA010LE1				DC12V,DC24V
			CS-GA010HE1				DC24V
			CS-GAV010E1				DC12V,DC24V,AC100V
			CS-GAV010LE1				DC12V,DC24V
			CS-GAV010HE1				DC24V
P, R port (Rc1/8) type CS-G010MH	2 ⋮ 20	F	CS-G010E1	Blank	Blank Normally closed (NC)	Blank	DC12V,DC24V,AC100V
			CS-G010LE1				DC12V,DC24V
			CS-G010HE1				DC24V
			CS-GV010E1				DC12V,DC24V,AC100V
			CS-GV010LE1				DC12V,DC24V
			CS-GV010HE1				DC24V
		A	CS-GA010E1	-2	-11	-PS -PL	DC12V,DC24V,AC100V
			CS-GA010LE1				DC12V,DC24V
			CS-GA010HE1				DC24V
			CS-GAV010E1				DC12V,DC24V,AC100V
			CS-GAV010LE1				DC12V,DC24V
			CS-GAV010HE1				DC24V



● Valve mounting location from the left-hand side when facing the 2(A) port (□: 1~20)

- Specify the valve type for each station.
- Enter -BP when closing a station with a block-off plate without mounting a valve.
- Normally closed (NC) and normally open (NO) valves cannot be mounted together on the same manifold.

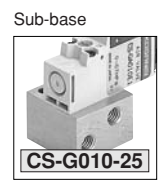
Additional Parts (To be ordered separately)



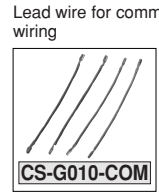
● For direct piping (With gasket)



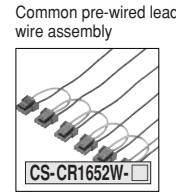
● For direct piping. For CS-G010HE1-11, CS-GV010HE1 only (With gasket).



● For sub-base piping (With gasket)



● For -PS, -PL, -MS, -ML (Set of 10 pcs.)

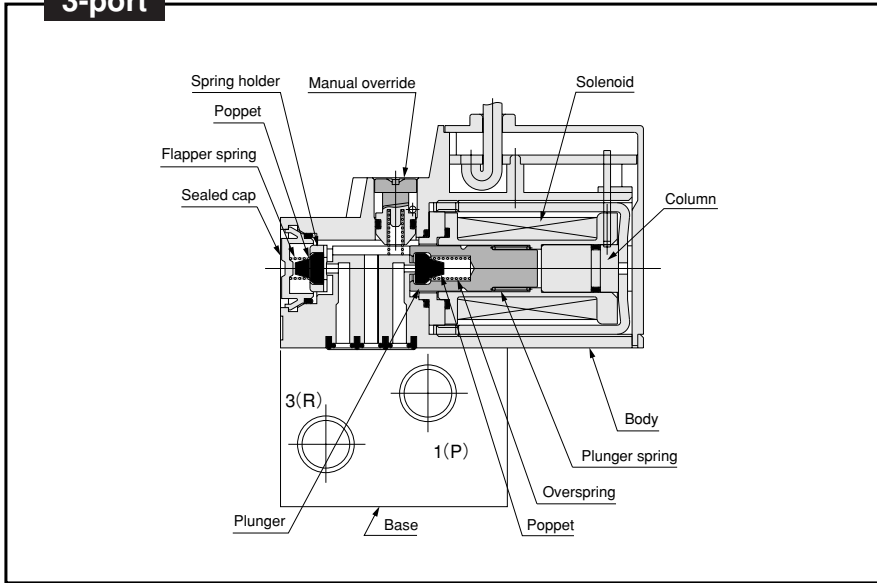


● For details, see the Valves General Catalog.



Operating Principles and Major Parts

3-port



Major Parts and Materials

Parts		Materials
Valve	Body	Plastic
	Poppet	Synthetic rubber
	Plunger	Magnetic stainless steel
	Column	Magnetic stainless steel
	Base	Aluminum alloy (anodized)
Manifold	Body	Aluminum alloy (anodized)
	Block-off plate	Plastic
	Seal	Synthetic rubber

Corresponding Table of Mounting Valve and Manifold

Valve specifications				Valve options				Applicable manifolds			
Piping configuration	Basic model	Power	Flow rate	-2 (2-port)	-1 ^{Note 1} (Normally open, NO)	-21 (Mounting base)	-25 (Sub-base)	CS-G010M □ F	CS-G010M □ A	CS-G010MH □ F	CS-G010MH □ A
Direct piping	CS-G010E1	1.0W	Standard	●	●	●	□	●	□	●	□
	CS-G010LE1	0.5W	Small flow	●	●	●	□	●	□	●	□
	CS-G010HE1	3.2W (1.1W) ^{Note2}	Large flow	●	●	●	□	●	□	●	□
	CS-GV010E1	1.0W	Standard	●	●	●	□	●	□	●	□
	CS-GV010LE1	0.5W	Small flow	●	●	●	□	●	□	●	□
	CS-GV010HE1	3.2W (1.1W) ^{Note2}	Large flow	●	●	●	□	●	□	●	□
Base piping	CS-GA010E1	1.0W	Standard	●	●	□	●	●	□	●	●
	CS-GA010LE1	0.5W	Small flow	●	●	□	●	●	□	●	●
	CS-GA010HE1	3.2W (1.1W) ^{Note2}	Large flow	●	●	□	●	●	□	●	●
	CS-GAV010E1	1.0W	Standard	●	●	□	●	●	□	●	●
	CS-GAV010LE1	0.5W	Small flow	●	●	□	●	●	□	●	●
	CS-GAV010HE1	3.2W (1.1W) ^{Note2}	Large flow	●	●	□	●	●	□	●	●
2(A) port								(M3)	M3	(M3)	M5
1(P), 3(R) port								M5	M5	Rc1/8	Rc1/8

●: Selectable or mountable

Notes: 1. Care should be taken when ordering, since the initial settings for the normally closed (NC) and normally open (NO) valves cannot be changed later on.
Normally closed (NC) and normally open (NO) valves cannot be mounted together on the same manifold.

2. Values in parentheses () in power column are for holding state.

Dimensions of Direct Piping Solenoid Valve mm [in.]

CS-G010E1(-11)-21 (DC5V, DC6V, DC12V, DC24V, AC100V)

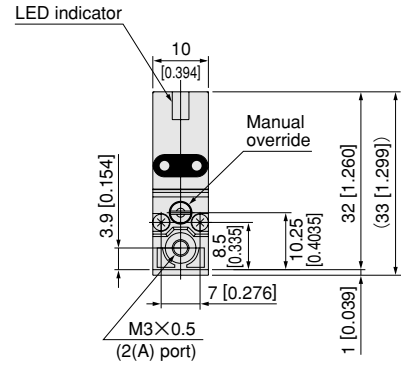
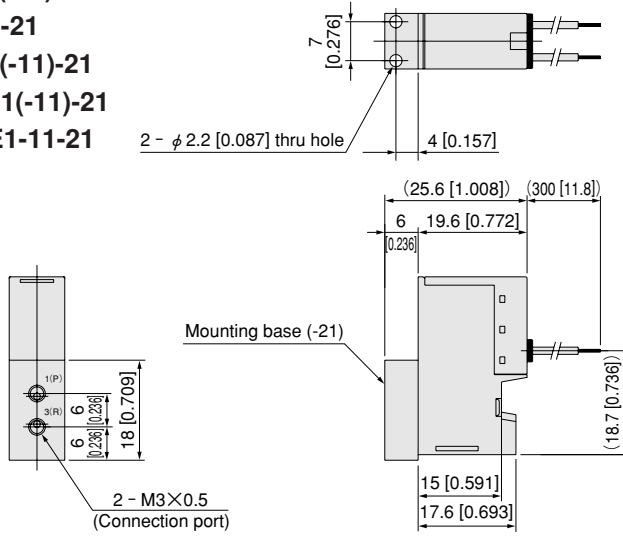
CS-G010LE1(-11)-21

CS-G010HE1-21

CS-GV010E1(-11)-21

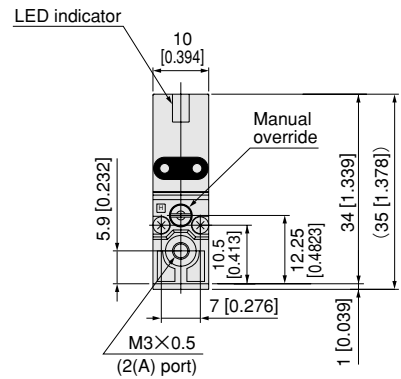
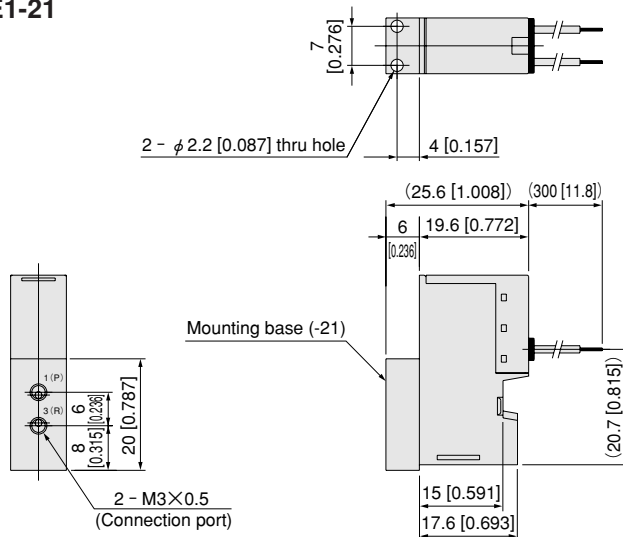
CS-GV010LE1(-11)-21

CS-GV010HE1-11-21



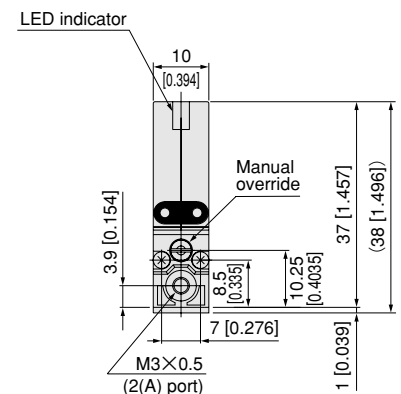
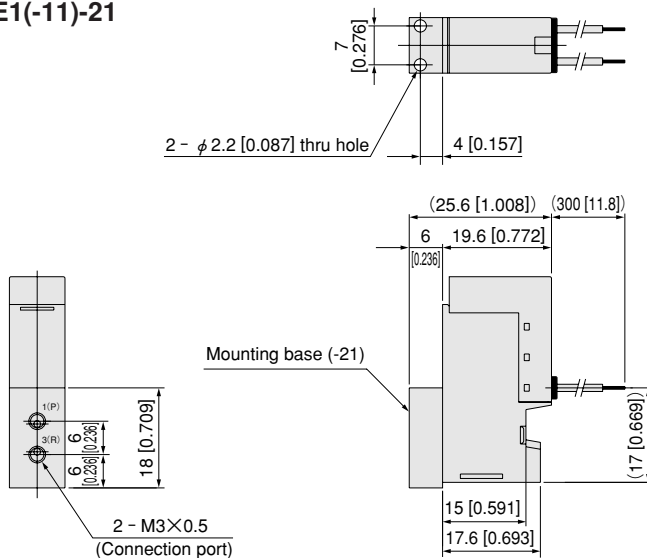
CS-G010HE1-11-21 (DC24V)

CS-GV010HE1-21



CS-G010E1(-11)-21 (AC200V)

CS-GV010E1(-11)-21



Dimensions of Sub-base Piping Solenoid Valve mm [in.]

CS-GA010E1(-11)-25 (DC5V, DC6V, DC12V, DC24V, AC100V)

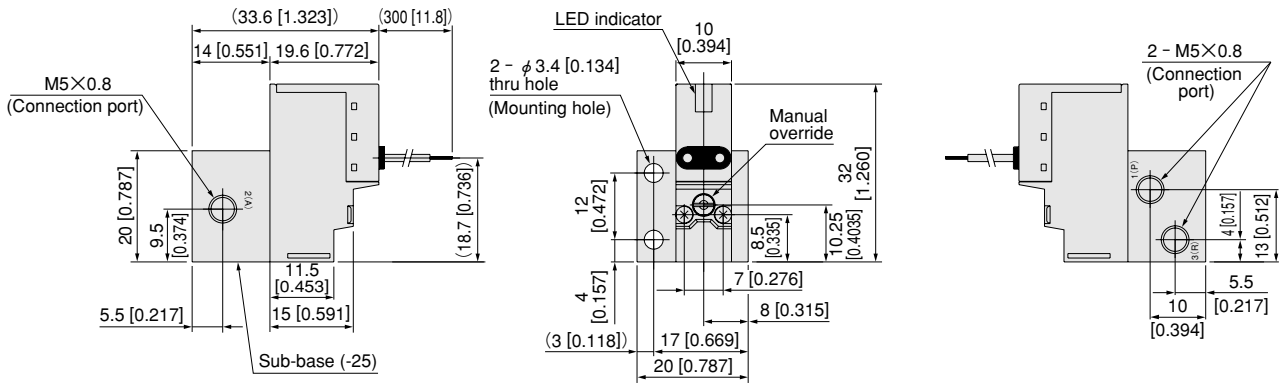
CS-GA010LE1(-11)-25

CS-GA010HE1-25

CS-GAV010E1(-11)-25

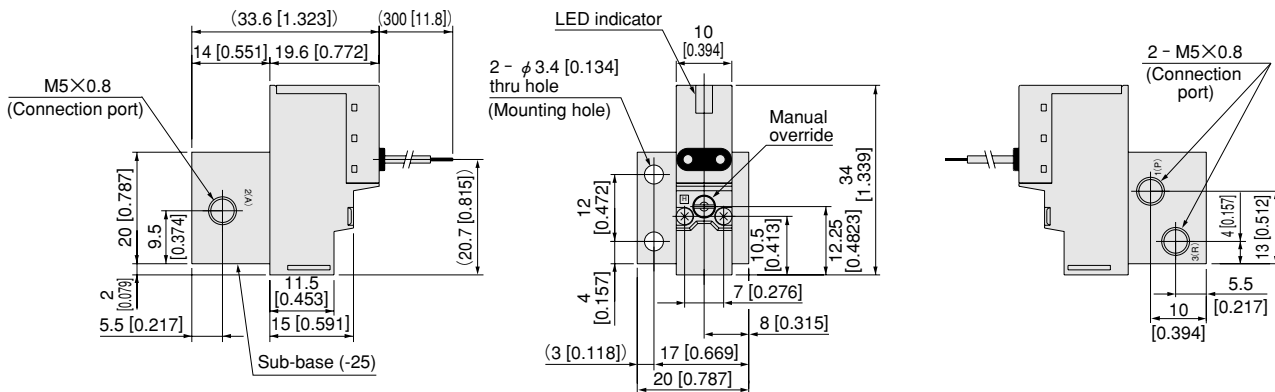
CS-GAV010LE1(-11)-25

CS-GAV010HE1-11-25



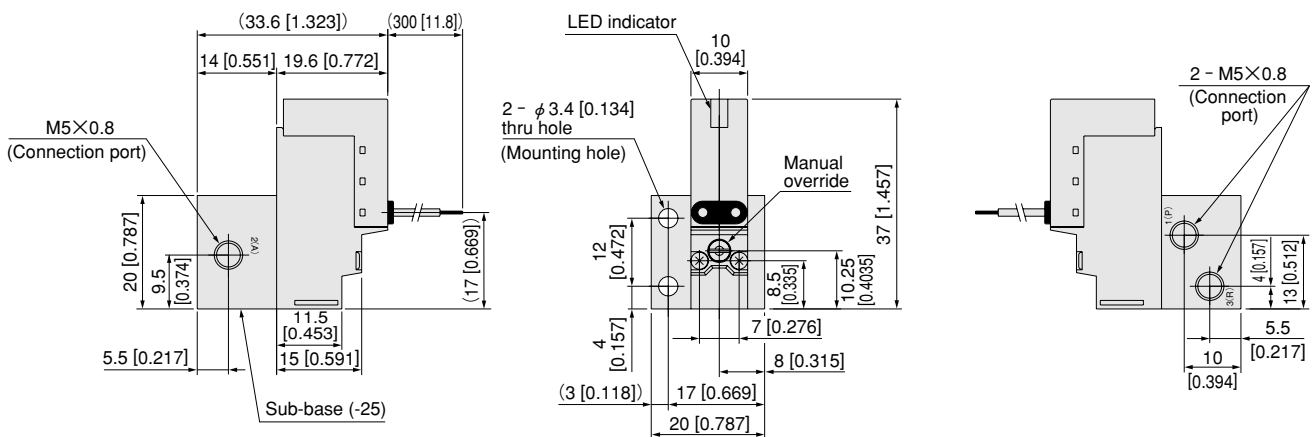
CS-GA010HE1-11-25 (DC24V)

CS-GAV010HE1-25



CS-GA010E1(-11)-25 (AC200V)

CS-GAV010E1(-11)-25



Dimensions of Connector mm [in.]

Options

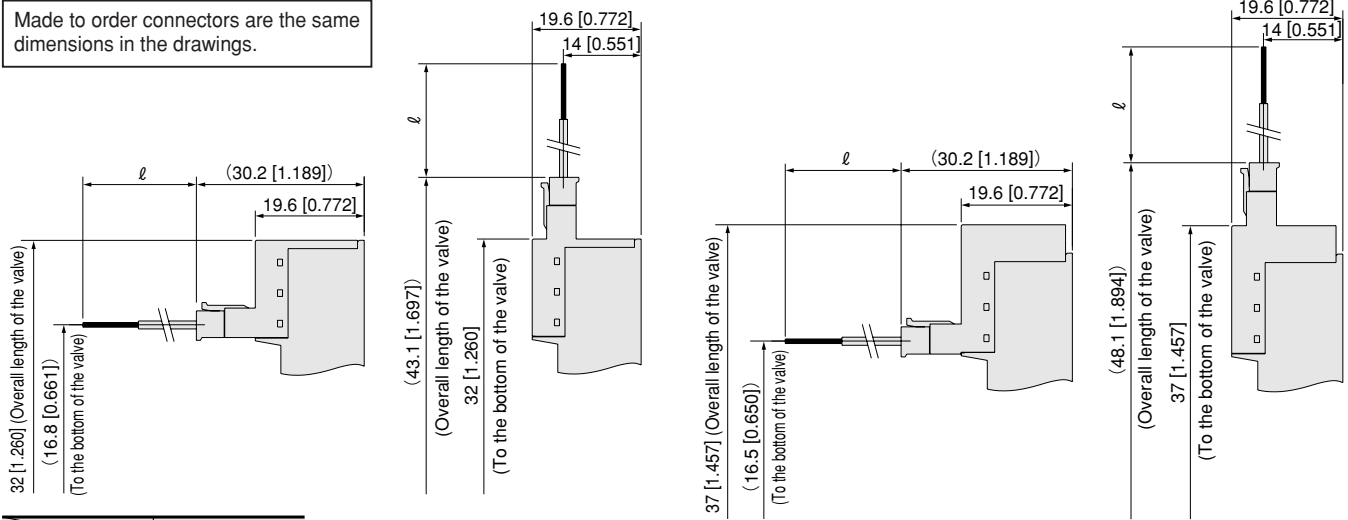
● Solenoid with L connector: **-PL**

● Solenoid with straight connector: **-PS**

● Solenoid with L connector (AC200V): **-PL**

● Solenoid with straight connector (AC200V): **-PS**

Made to order connectors are the same dimensions in the drawings.



Model	Code	ℓ
Blank	300	[11.8]
-1L	1000	[39]
-3L	3000	[118]

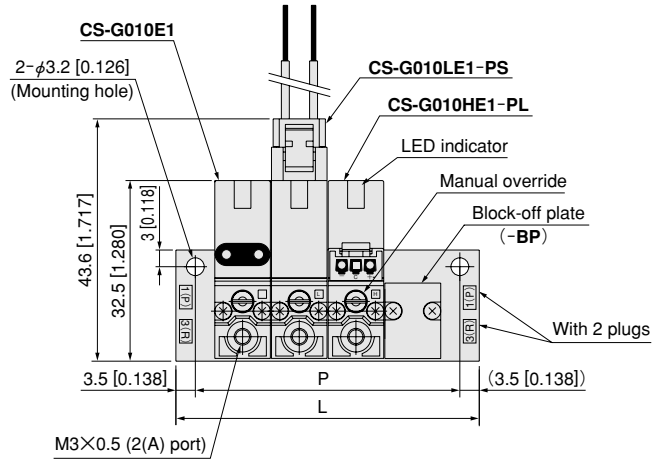
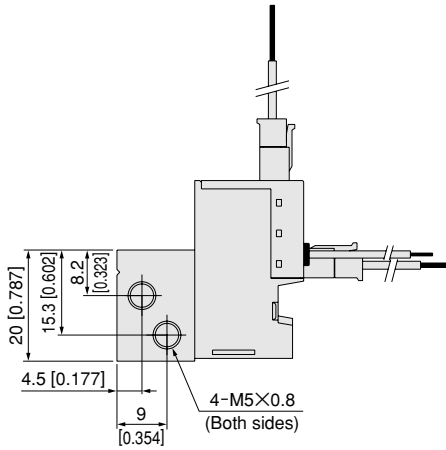
Corresponding Table of Solenoid Options and Voltage

Basic valve models	Voltage specifications	Connector specifications												
		Blank (grommet)	-PS	-PL	-MS	-ML	-PSX	-PLX	-MSX	-MLX	-PSN	-PLN	-MSN	-MLN
CS-G(A)010E1 [-11] CS-G(A)V010E1 [-11] (standard type)	DC5V	△	△	△	△	△	△	△	△	△	△	△	△	△
	DC6V	△	△	△	△	△	△	△	△	△	△	△	△	△
	DC12V	●	●	●	△	△	△	△	△	△	△	△	△	△
	DC24V	●	●	●	△	△	△	△	△	△	△	△	△	△
	AC100V	●	●	●	△	△	△	△	△	△	△	△	△	△
AC200V	△	△	△	△	△	△	△	△	△	△	△	△	△	
CS-G(A)010LE1 [-11] CS-G(A)V010LE1 [-11] (low current type)	DC5V	△	△	△	△	△	△	△	△	△	△	△	△	△
	DC6V	△	△	△	△	△	△	△	△	△	△	△	△	△
	DC12V	●	●	●	△	△	△	△	△	△	△	△	△	△
	DC24V	●	●	●	△	△	△	△	△	△	△	△	△	△
CS-G(A)010HE1 [-11] CS-G(A)V010HE1 [-11] (large flow type)	DC12V	△	△	△	△	△	△	△	△	△	△	△	△	△
	DC24V	●	●	●	△	△	△	△	△	△	△	△	△	△
Lead wire length options same for all basic models	-1L	△	△	△	△	△	△	△	△	△	△	△	△	△
	-3L	△	△	△	△	△	△	△	△	△	△	△	△	△

●: Standard specifications △: Made to order

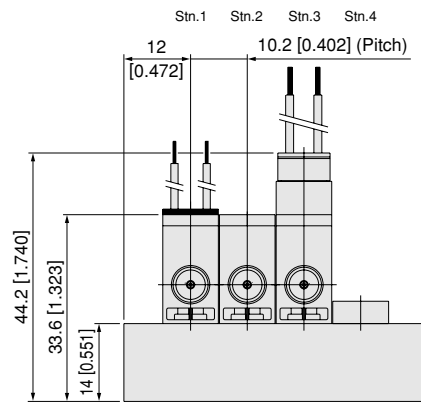
Dimensions of F Type Manifold (for Direct Piping with Positive Pressure Solenoid Valves) mm [in.]

CS-G010M□F (1(P), 3(R) port: M5×0.8)

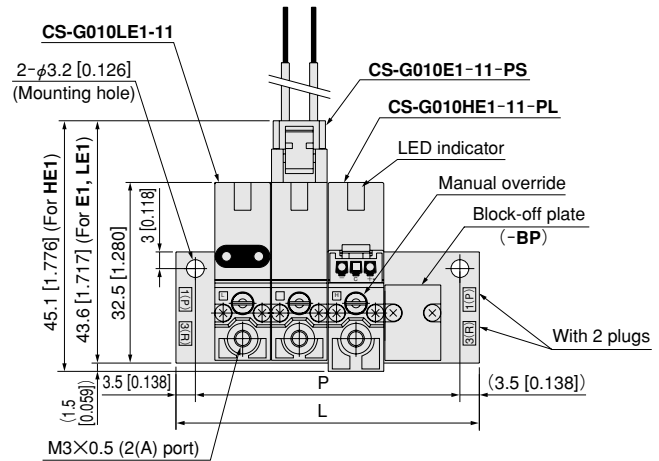
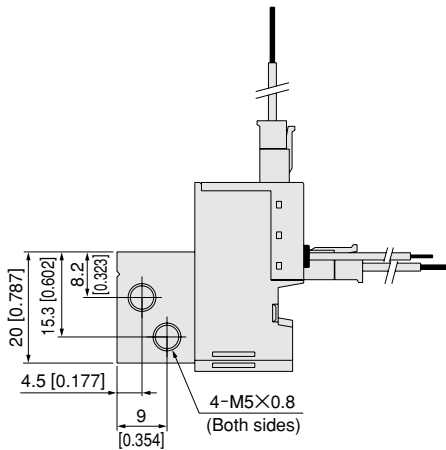


Unit dimensions

Number of units	L	P	Number of units	L	P
2	34.2 [1.346]	27.2 [1.071]	12	136.2 [5.362]	129.2 [5.087]
3	44.4 [1.748]	37.4 [1.472]	13	146.4 [5.764]	139.4 [5.488]
4	54.6 [2.150]	47.6 [1.874]	14	156.6 [6.165]	149.6 [5.890]
5	64.8 [2.551]	57.8 [2.276]	15	166.8 [6.567]	159.8 [6.291]
6	75 [2.953]	68 [2.677]	16	177 [6.969]	170 [6.693]
7	85.2 [3.354]	78.2 [3.079]	17	187.2 [7.370]	180.2 [7.094]
8	95.4 [3.756]	88.4 [3.480]	18	197.4 [7.772]	190.4 [7.496]
9	105.6 [4.157]	98.6 [3.882]	19	207.6 [8.173]	200.6 [7.898]
10	115.8 [4.559]	108.8 [4.283]	20	217.8 [8.575]	210.8 [8.299]
11	126 [4.961]	119 [4.685]	—	—	—

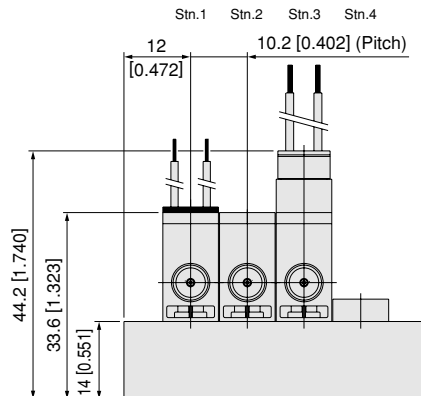


CS-G010M□F (1(P), 3(R) port: M5×0.8)



Unit dimensions

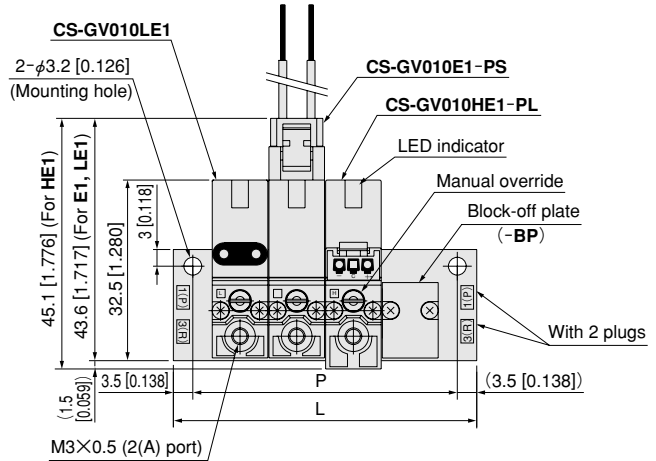
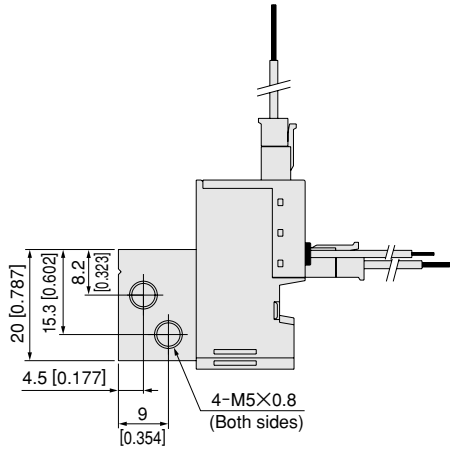
Number of units	L	P	Number of units	L	P
2	34.2 [1.346]	27.2 [1.071]	12	136.2 [5.362]	129.2 [5.087]
3	44.4 [1.748]	37.4 [1.472]	13	146.4 [5.764]	139.4 [5.488]
4	54.6 [2.150]	47.6 [1.874]	14	156.6 [6.165]	149.6 [5.890]
5	64.8 [2.551]	57.8 [2.276]	15	166.8 [6.567]	159.8 [6.291]
6	75 [2.953]	68 [2.677]	16	177 [6.969]	170 [6.693]
7	85.2 [3.354]	78.2 [3.079]	17	187.2 [7.370]	180.2 [7.094]
8	95.4 [3.756]	88.4 [3.480]	18	197.4 [7.772]	190.4 [7.496]
9	105.6 [4.157]	98.6 [3.882]	19	207.6 [8.173]	200.6 [7.898]
10	115.8 [4.559]	108.8 [4.283]	20	217.8 [8.575]	210.8 [8.299]
11	126 [4.961]	119 [4.685]	—	—	—



For optional wiring, see p.132.

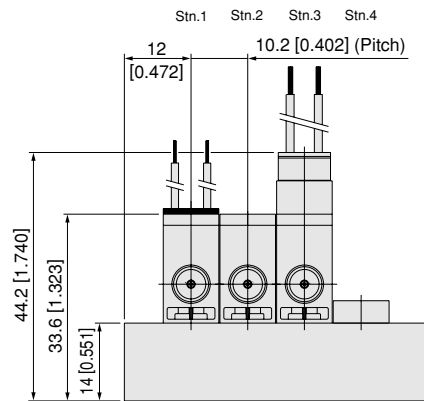
Dimensions of F Type Manifold (for Direct Piping with Vacuum Solenoid Valves) mm [in.]

CS-G010M□F (1(P), 3(R) port: M5×0.8)

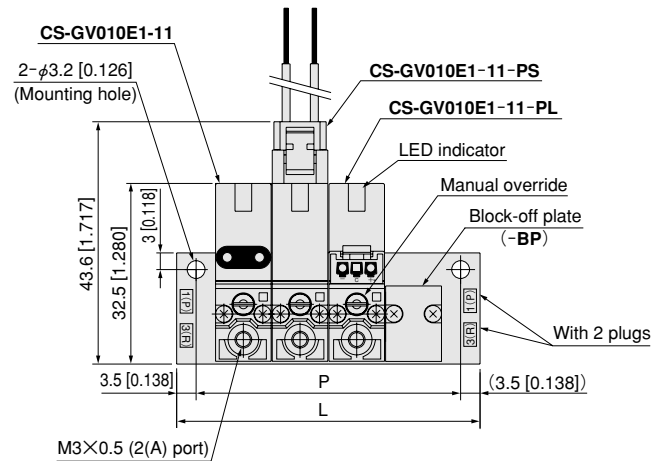
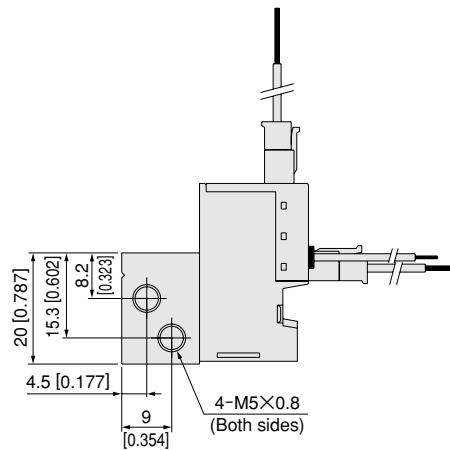


Unit dimensions

Number of units	L	P	Number of units	L	P
2	34.2 [1.346]	27.2 [1.071]	12	136.2 [5.362]	129.2 [5.087]
3	44.4 [1.748]	37.4 [1.472]	13	146.4 [5.764]	139.4 [5.488]
4	54.6 [2.150]	47.6 [1.874]	14	156.6 [6.165]	149.6 [5.890]
5	64.8 [2.551]	57.8 [2.276]	15	166.8 [6.567]	159.8 [6.291]
6	75 [2.953]	68 [2.677]	16	177 [6.969]	170 [6.693]
7	85.2 [3.354]	78.2 [3.079]	17	187.2 [7.370]	180.2 [7.094]
8	95.4 [3.756]	88.4 [3.480]	18	197.4 [7.772]	190.4 [7.496]
9	105.6 [4.157]	98.6 [3.882]	19	207.6 [8.173]	200.6 [7.898]
10	115.8 [4.559]	108.8 [4.283]	20	217.8 [8.575]	210.8 [8.299]
11	126 [4.961]	119 [4.685]	—	—	—

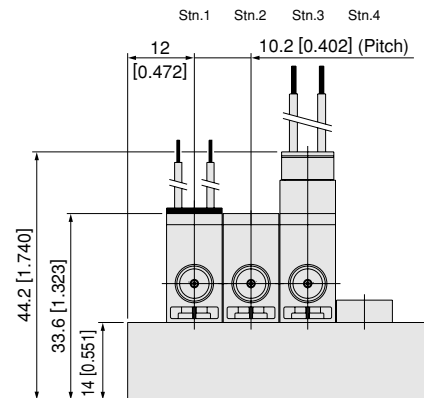


CS-G010M□F (1(P), 3(R) port: M5×0.8)



Unit dimensions

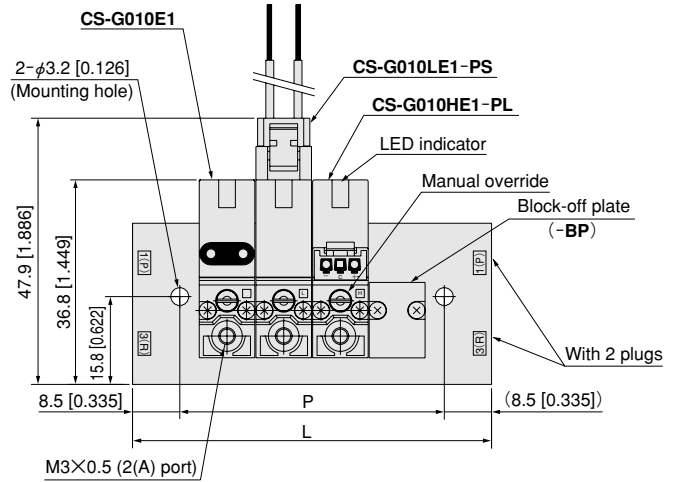
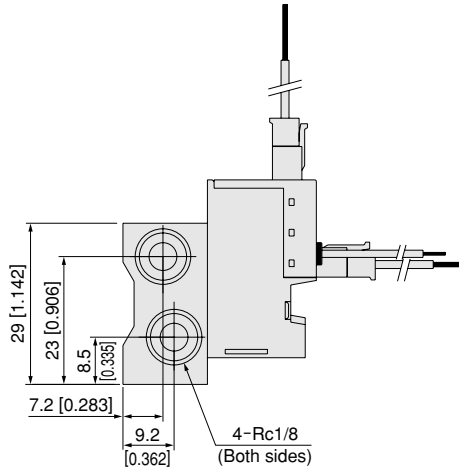
Number of units	L	P	Number of units	L	P
2	34.2 [1.346]	27.2 [1.071]	12	136.2 [5.362]	129.2 [5.087]
3	44.4 [1.748]	37.4 [1.472]	13	146.4 [5.764]	139.4 [5.488]
4	54.6 [2.150]	47.6 [1.874]	14	156.6 [6.165]	149.6 [5.890]
5	64.8 [2.551]	57.8 [2.276]	15	166.8 [6.567]	159.8 [6.291]
6	75 [2.953]	68 [2.677]	16	177 [6.969]	170 [6.693]
7	85.2 [3.354]	78.2 [3.079]	17	187.2 [7.370]	180.2 [7.094]
8	95.4 [3.756]	88.4 [3.480]	18	197.4 [7.772]	190.4 [7.496]
9	105.6 [4.157]	98.6 [3.882]	19	207.6 [8.173]	200.6 [7.898]
10	115.8 [4.559]	108.8 [4.283]	20	217.8 [8.575]	210.8 [8.299]
11	126 [4.961]	119 [4.685]	—	—	—



For optional wiring, see p.132.

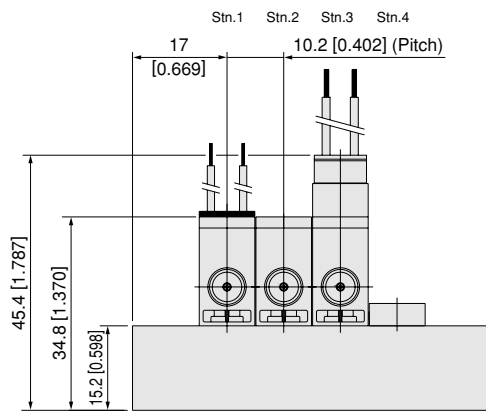
Dimensions of F Type Manifold (for Direct Piping with Positive Pressure Solenoid Valves) mm [in.]

CS-G010MH□F (1(P), 3(R) port: Rc1/8)

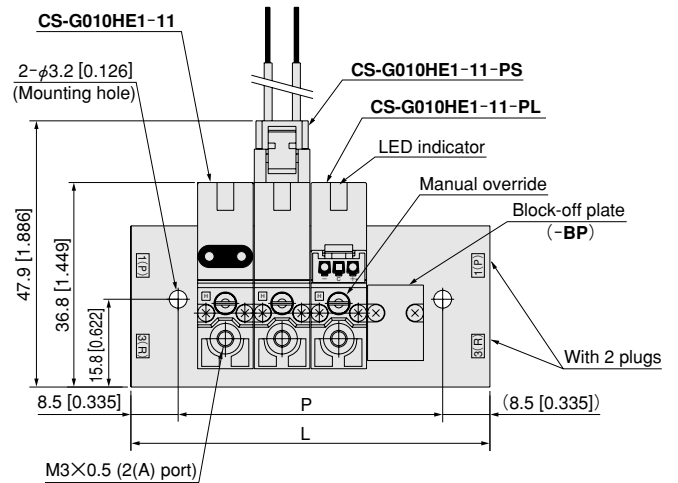
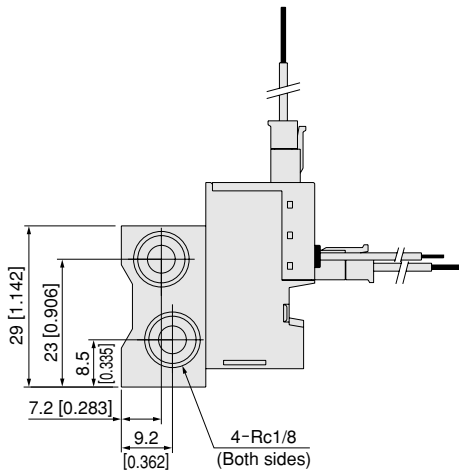


Unit dimensions

Number of units	L	P	Number of units	L	P
2	44.2 [1.740]	27.2 [1.071]	12	146.2 [5.756]	129.2 [5.087]
3	54.4 [2.142]	37.4 [1.472]	13	156.4 [6.157]	139.4 [5.488]
4	64.6 [2.543]	47.6 [1.874]	14	166.6 [6.559]	149.6 [5.890]
5	74.8 [2.945]	57.8 [2.276]	15	176.8 [6.961]	159.8 [6.291]
6	85 [3.346]	68 [2.677]	16	187 [7.362]	170 [6.693]
7	95.2 [3.748]	78.2 [3.079]	17	197.2 [7.764]	180.2 [7.094]
8	105.4 [4.150]	88.4 [3.480]	18	207.4 [8.165]	190.4 [7.496]
9	115.6 [4.551]	98.6 [3.882]	19	217.6 [8.567]	200.6 [7.898]
10	125.8 [4.953]	108.8 [4.283]	20	227.8 [8.969]	210.8 [8.299]
11	136 [5.354]	119 [4.685]	—	—	—

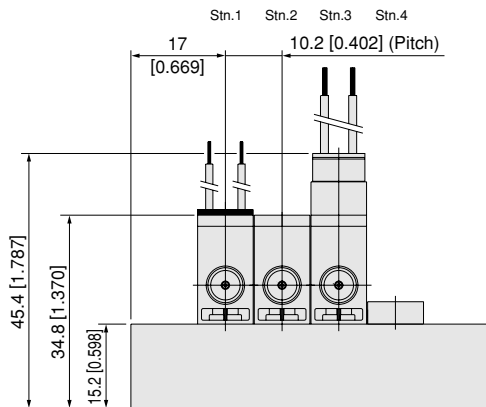


CS-G010MH□F (1(P), 3(R) port: Rc1/8)



Unit dimensions

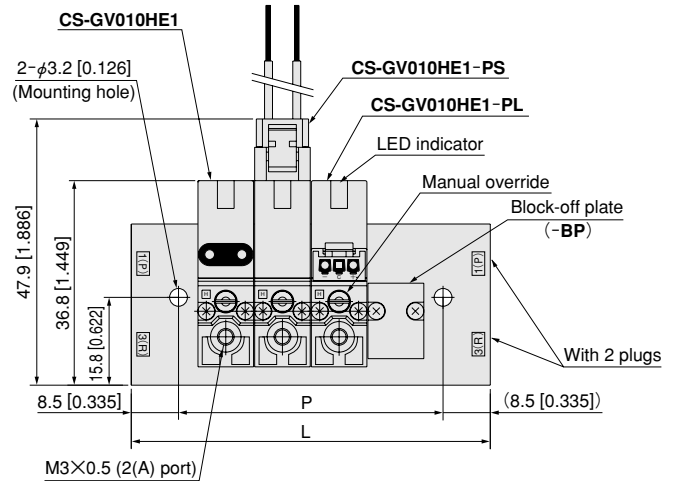
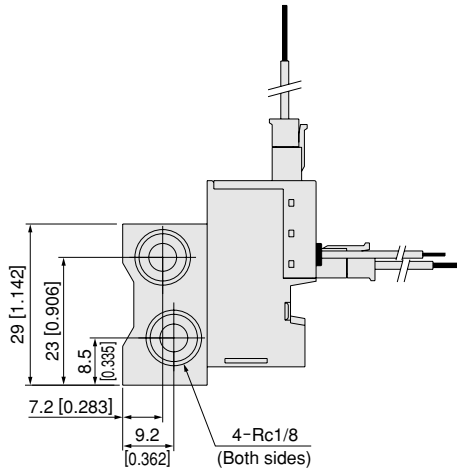
Number of units	L	P	Number of units	L	P
2	44.2 [1.740]	27.2 [1.071]	12	146.2 [5.756]	129.2 [5.087]
3	54.4 [2.142]	37.4 [1.472]	13	156.4 [6.157]	139.4 [5.488]
4	64.6 [2.543]	47.6 [1.874]	14	166.6 [6.559]	149.6 [5.890]
5	74.8 [2.945]	57.8 [2.276]	15	176.8 [6.961]	159.8 [6.291]
6	85 [3.346]	68 [2.677]	16	187 [7.362]	170 [6.693]
7	95.2 [3.748]	78.2 [3.079]	17	197.2 [7.764]	180.2 [7.094]
8	105.4 [4.150]	88.4 [3.480]	18	207.4 [8.165]	190.4 [7.496]
9	115.6 [4.551]	98.6 [3.882]	19	217.6 [8.567]	200.6 [7.898]
10	125.8 [4.953]	108.8 [4.283]	20	227.8 [8.969]	210.8 [8.299]
11	136 [5.354]	119 [4.685]	—	—	—



For optional wiring, see p.132.

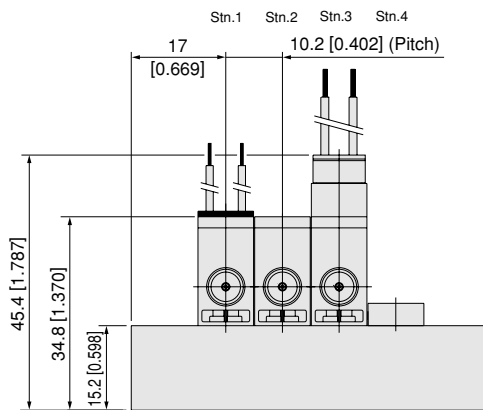
Dimensions of F type Manifold (for Direct Piping with Vacuum Solenoid Valves) mm [in.]

CS-G010MH□F (1(P), 3(R) port: Rc1/8)

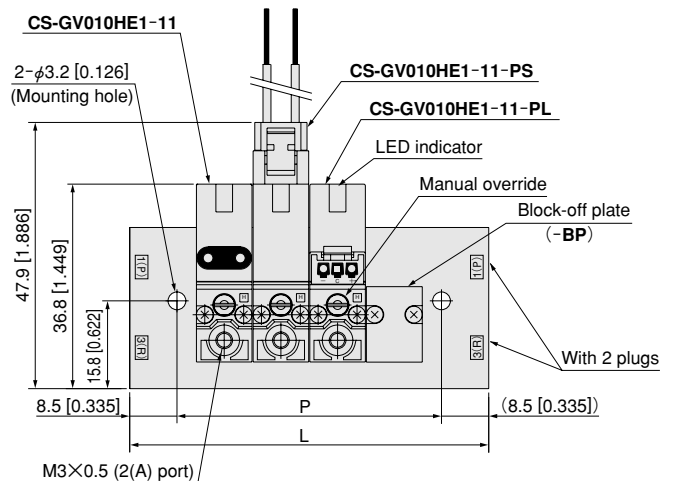
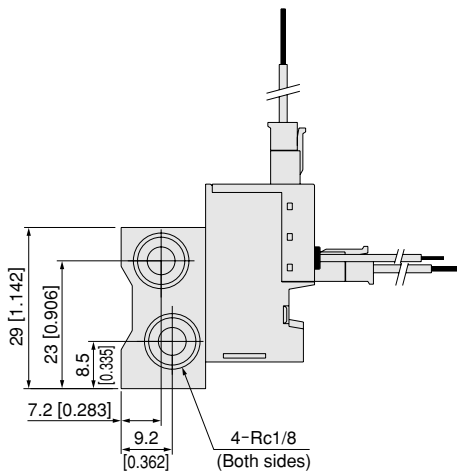


Unit dimensions

Number of units	L	P	Number of units	L	P
2	44.2 [1.740]	27.2 [1.071]	12	146.2 [5.756]	129.2 [5.087]
3	54.4 [2.142]	37.4 [1.472]	13	156.4 [6.157]	139.4 [5.488]
4	64.6 [2.543]	47.6 [1.874]	14	166.6 [6.559]	149.6 [5.890]
5	74.8 [2.945]	57.8 [2.276]	15	176.8 [6.961]	159.8 [6.291]
6	85 [3.346]	68 [2.677]	16	187 [7.362]	170 [6.693]
7	95.2 [3.748]	78.2 [3.079]	17	197.2 [7.764]	180.2 [7.094]
8	105.4 [4.150]	88.4 [3.480]	18	207.4 [8.165]	190.4 [7.496]
9	115.6 [4.551]	98.6 [3.882]	19	217.6 [8.567]	200.6 [7.898]
10	125.8 [4.953]	108.8 [4.283]	20	227.8 [8.969]	210.8 [8.299]
11	136 [5.354]	119 [4.685]	—	—	—

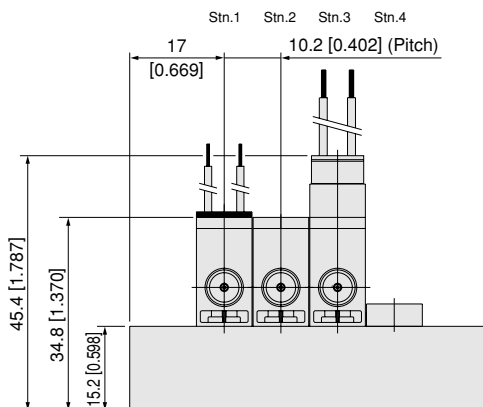


CS-G010MH□F (1(P), 3(R) port: Rc1/8)



Unit dimensions

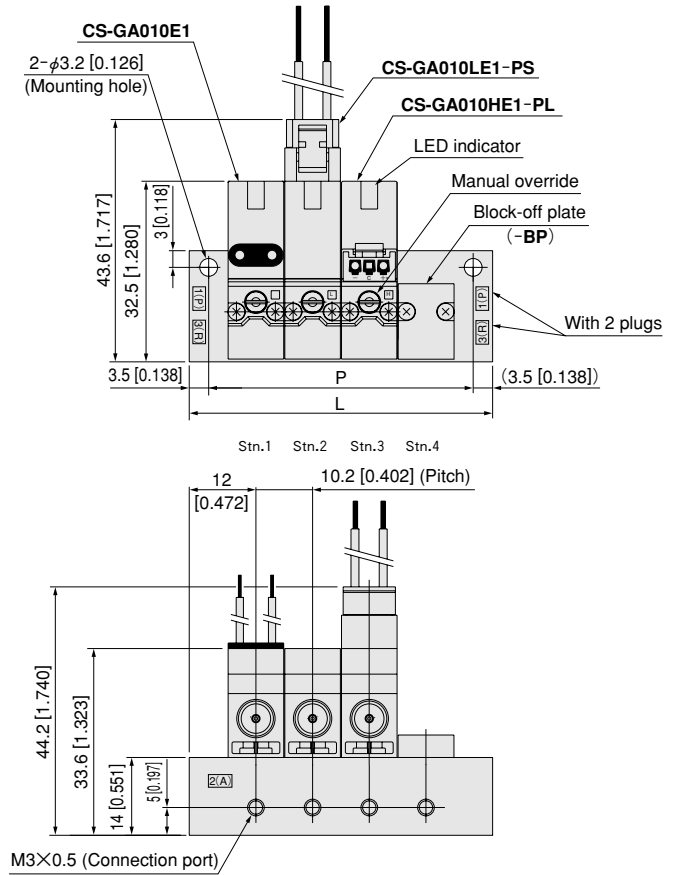
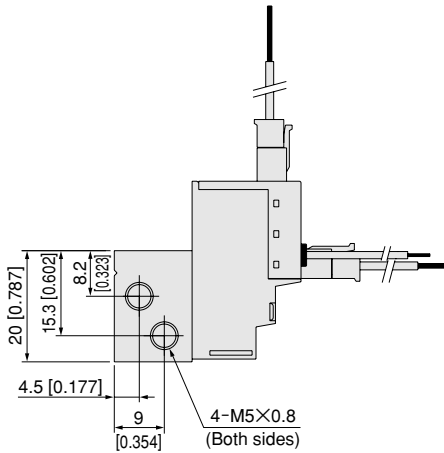
Number of units	L	P	Number of units	L	P
2	44.2 [1.740]	27.2 [1.071]	12	146.2 [5.756]	129.2 [5.087]
3	54.4 [2.142]	37.4 [1.472]	13	156.4 [6.157]	139.4 [5.488]
4	64.6 [2.543]	47.6 [1.874]	14	166.6 [6.559]	149.6 [5.890]
5	74.8 [2.945]	57.8 [2.276]	15	176.8 [6.961]	159.8 [6.291]
6	85 [3.346]	68 [2.677]	16	187 [7.362]	170 [6.693]
7	95.2 [3.748]	78.2 [3.079]	17	197.2 [7.764]	180.2 [7.094]
8	105.4 [4.150]	88.4 [3.480]	18	207.4 [8.165]	190.4 [7.496]
9	115.6 [4.551]	98.6 [3.882]	19	217.6 [8.567]	200.6 [7.898]
10	125.8 [4.953]	108.8 [4.283]	20	227.8 [8.969]	210.8 [8.299]
11	136 [5.354]	119 [4.685]	—	—	—



For optional wiring, see p.132.

Dimensions of A Type Manifold (for Manifold Piping with Positive Pressure Solenoid Valves) mm [in.]

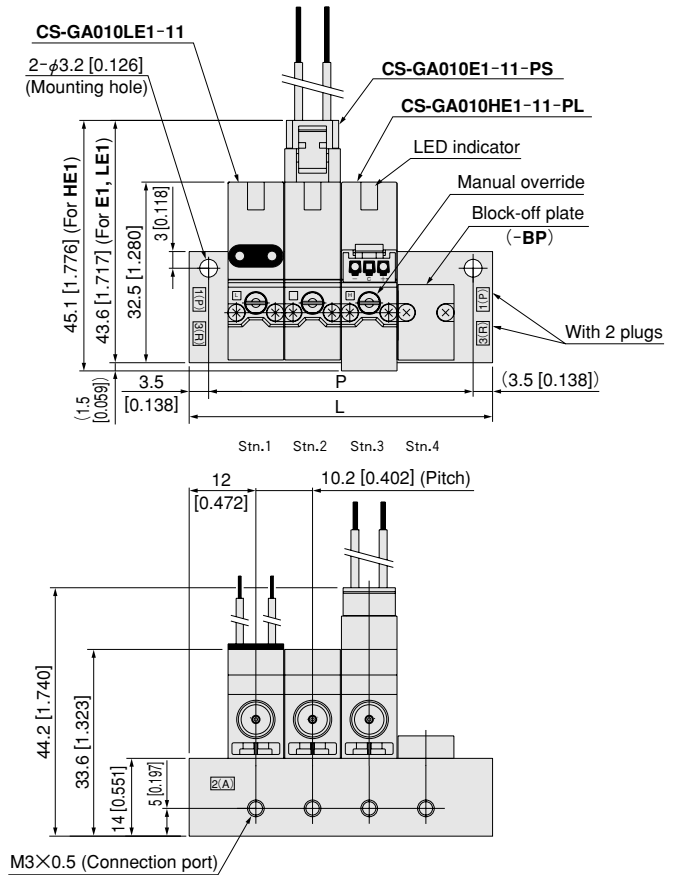
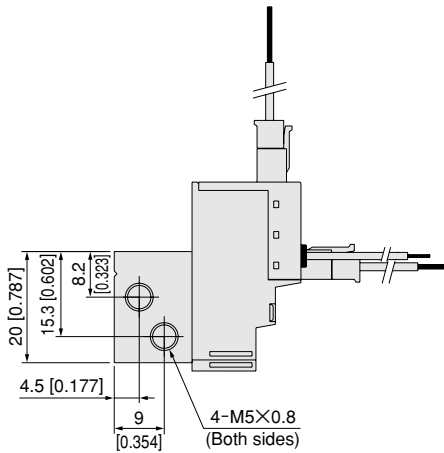
CS-G010M□A (1(P), 3(R) port: M5×0.8)



Unit dimensions

Number of units	L	P	Number of units	L	P
2	34.2 [1.346]	27.2 [1.071]	12	136.2 [5.362]	129.2 [5.087]
3	44.4 [1.748]	37.4 [1.472]	13	146.4 [5.764]	139.4 [5.488]
4	54.6 [2.150]	47.6 [1.874]	14	156.6 [6.165]	149.6 [5.890]
5	64.8 [2.551]	57.8 [2.276]	15	166.8 [6.567]	159.8 [6.291]
6	75 [2.953]	68 [2.677]	16	177 [6.969]	170 [6.693]
7	85.2 [3.354]	78.2 [3.079]	17	187.2 [7.370]	180.2 [7.094]
8	95.4 [3.756]	88.4 [3.480]	18	197.4 [7.772]	190.4 [7.496]
9	105.6 [4.157]	98.6 [3.882]	19	207.6 [8.173]	200.6 [7.898]
10	115.8 [4.559]	108.8 [4.283]	20	217.8 [8.575]	210.8 [8.299]
11	126 [4.961]	119 [4.685]	—	—	—

CS-G010M□A (1(P), 3(R) port: M5×0.8)



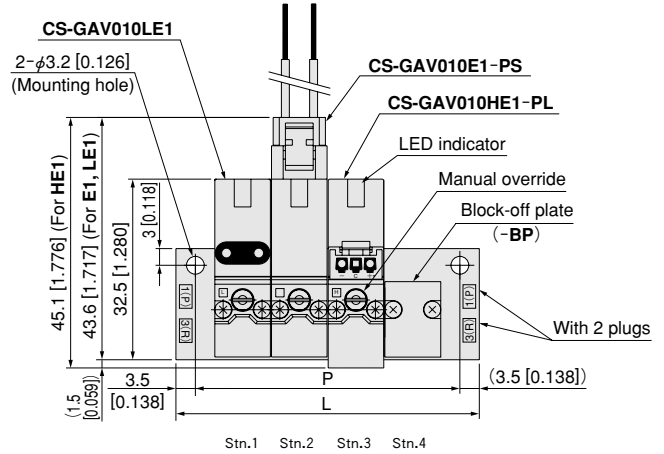
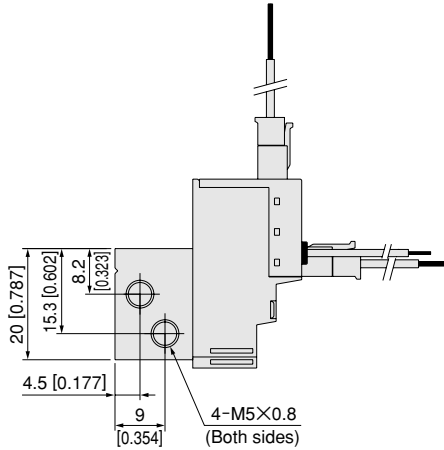
Unit dimensions

Number of units	L	P	Number of units	L	P
2	34.2 [1.346]	27.2 [1.071]	12	136.2 [5.362]	129.2 [5.087]
3	44.4 [1.748]	37.4 [1.472]	13	146.4 [5.764]	139.4 [5.488]
4	54.6 [2.150]	47.6 [1.874]	14	156.6 [6.165]	149.6 [5.890]
5	64.8 [2.551]	57.8 [2.276]	15	166.8 [6.567]	159.8 [6.291]
6	75 [2.953]	68 [2.677]	16	177 [6.969]	170 [6.693]
7	85.2 [3.354]	78.2 [3.079]	17	187.2 [7.370]	180.2 [7.094]
8	95.4 [3.756]	88.4 [3.480]	18	197.4 [7.772]	190.4 [7.496]
9	105.6 [4.157]	98.6 [3.882]	19	207.6 [8.173]	200.6 [7.898]
10	115.8 [4.559]	108.8 [4.283]	20	217.8 [8.575]	210.8 [8.299]
11	126 [4.961]	119 [4.685]	—	—	—

For optional wiring, see p.132.

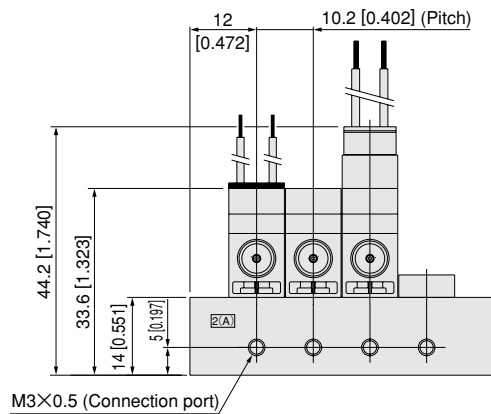
Dimensions of A Type Manifold (for Manifold Piping with Vacuum Solenoid Valves) mm [in.]

CS-G010M□A (1(P), 3(R) port: M5×0.8)

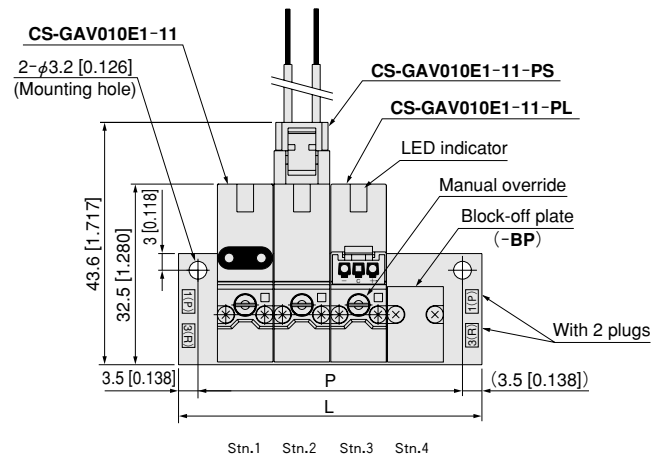
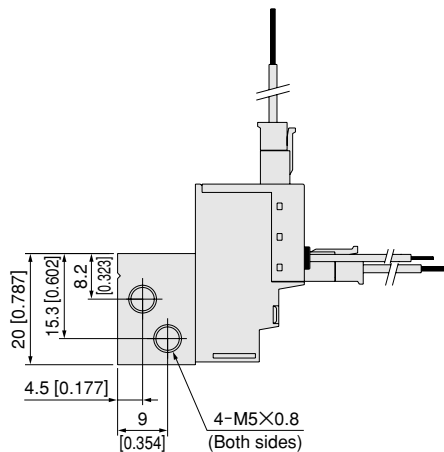


Unit dimensions

Number of units	L	P	Number of units	L	P
2	34.2 [1.346]	27.2 [1.071]	12	136.2 [5.362]	129.2 [5.087]
3	44.4 [1.748]	37.4 [1.472]	13	146.4 [5.764]	139.4 [5.488]
4	54.6 [2.150]	47.6 [1.874]	14	156.6 [6.165]	149.6 [5.890]
5	64.8 [2.551]	57.8 [2.276]	15	166.8 [6.567]	159.8 [6.291]
6	75 [2.953]	68 [2.677]	16	177 [6.969]	170 [6.693]
7	85.2 [3.354]	78.2 [3.079]	17	187.2 [7.370]	180.2 [7.094]
8	95.4 [3.756]	88.4 [3.480]	18	197.4 [7.772]	190.4 [7.496]
9	105.6 [4.157]	98.6 [3.882]	19	207.6 [8.173]	200.6 [7.898]
10	115.8 [4.559]	108.8 [4.283]	20	217.8 [8.575]	210.8 [8.299]
11	126 [4.961]	119 [4.685]	—	—	—

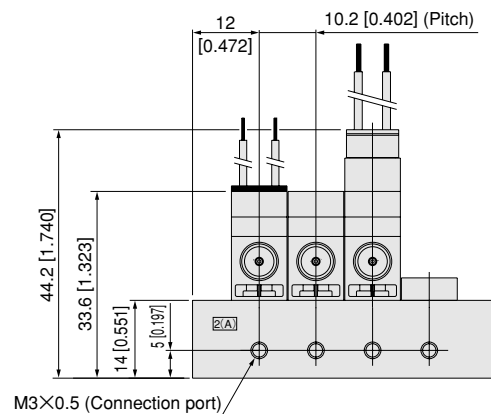


CS-G010M□A (1(P), 3(R) port: M5×0.8)



Unit dimensions

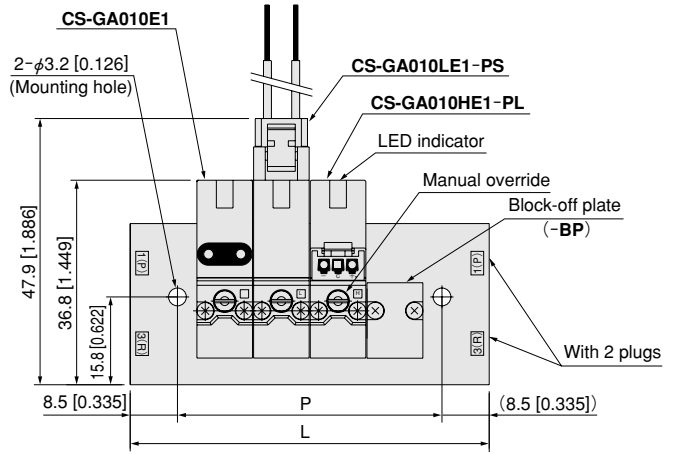
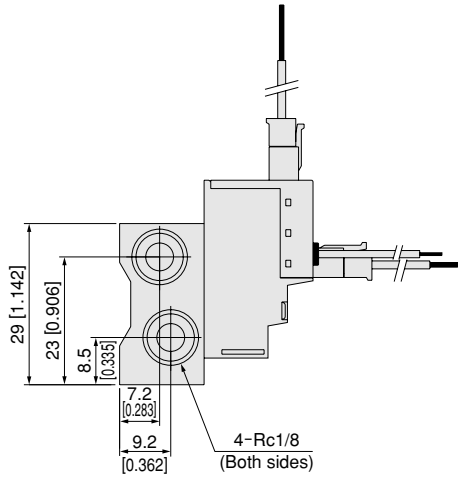
Number of units	L	P	Number of units	L	P
2	34.2 [1.346]	27.2 [1.071]	12	136.2 [5.362]	129.2 [5.087]
3	44.4 [1.748]	37.4 [1.472]	13	146.4 [5.764]	139.4 [5.488]
4	54.6 [2.150]	47.6 [1.874]	14	156.6 [6.165]	149.6 [5.890]
5	64.8 [2.551]	57.8 [2.276]	15	166.8 [6.567]	159.8 [6.291]
6	75 [2.953]	68 [2.677]	16	177 [6.969]	170 [6.693]
7	85.2 [3.354]	78.2 [3.079]	17	187.2 [7.370]	180.2 [7.094]
8	95.4 [3.756]	88.4 [3.480]	18	197.4 [7.772]	190.4 [7.496]
9	105.6 [4.157]	98.6 [3.882]	19	207.6 [8.173]	200.6 [7.898]
10	115.8 [4.559]	108.8 [4.283]	20	217.8 [8.575]	210.8 [8.299]
11	126 [4.961]	119 [4.685]	—	—	—



For optional wiring, see p.132.

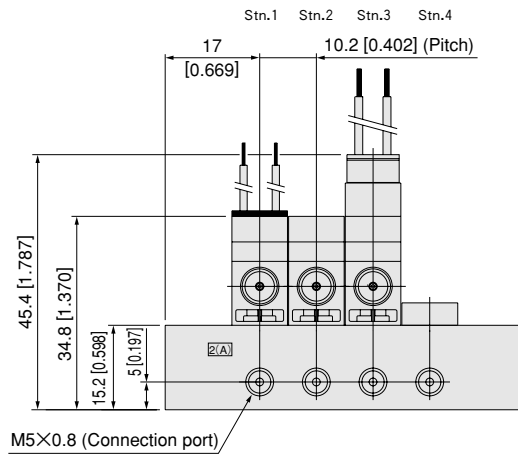
Dimensions of A Type Manifold (for Manifold Piping with Positive Pressure Solenoid Valves) mm [in.]

CS-G010MH□A (1(P), 3(R) port: Rc1/8)

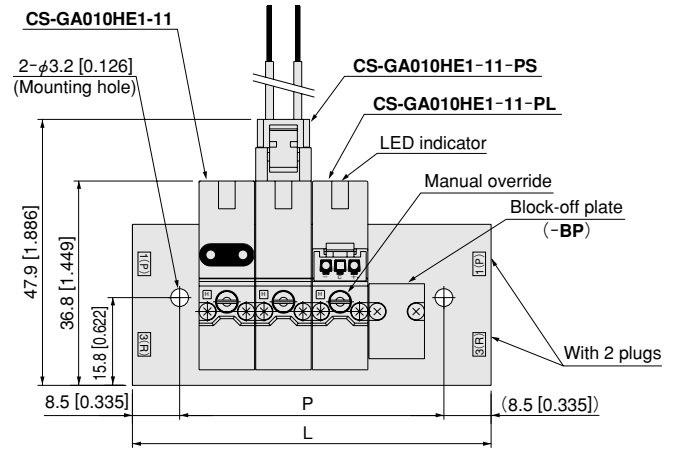
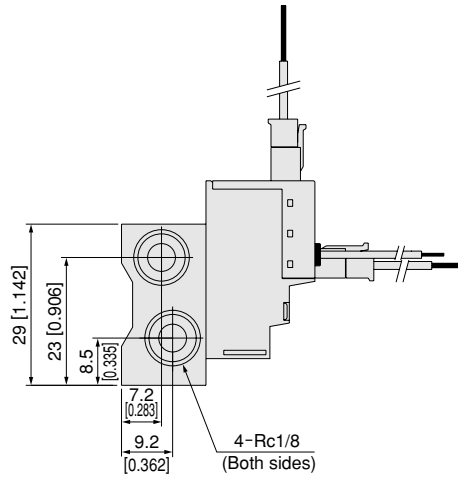


Unit dimensions

Number of units	L	P	Number of units	L	P
2	44.2 [1.740]	27.2 [1.071]	12	146.2 [5.756]	129.2 [5.087]
3	54.4 [2.142]	37.4 [1.472]	13	156.4 [6.157]	139.4 [5.488]
4	64.6 [2.543]	47.6 [1.874]	14	166.6 [6.559]	149.6 [5.890]
5	74.8 [2.945]	57.8 [2.276]	15	176.8 [6.961]	159.8 [6.291]
6	85 [3.346]	68 [2.677]	16	187 [7.362]	170 [6.693]
7	95.2 [3.748]	78.2 [3.079]	17	197.2 [7.764]	180.2 [7.094]
8	105.4 [4.150]	88.4 [3.480]	18	207.4 [8.165]	190.4 [7.496]
9	115.6 [4.551]	98.6 [3.882]	19	217.6 [8.567]	200.6 [7.898]
10	125.8 [4.953]	108.8 [4.283]	20	227.8 [8.969]	210.8 [8.299]
11	136 [5.354]	119 [4.685]	—	—	—

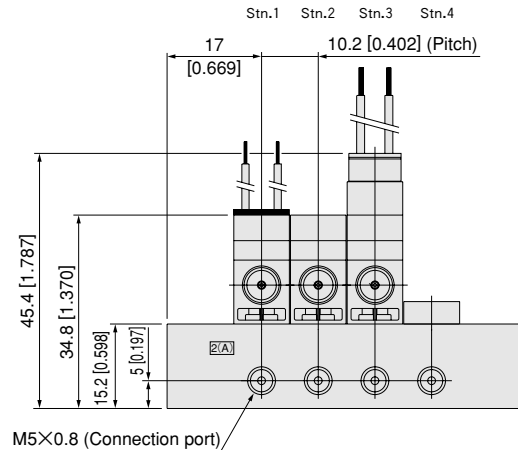


CS-G010MH□A (1(P), 3(R) port: Rc1/8)



Unit dimensions

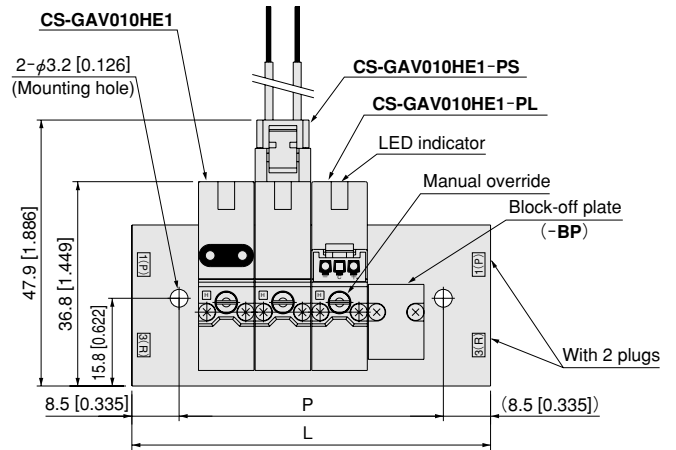
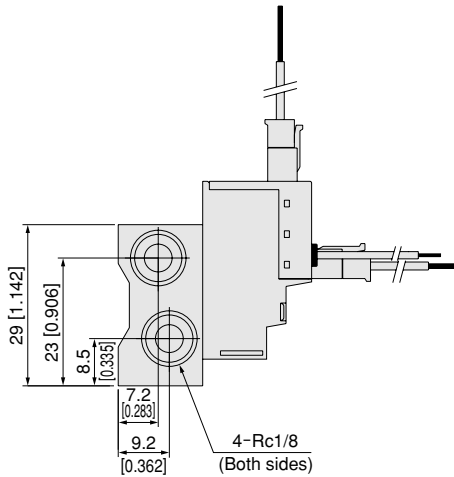
Number of units	L	P	Number of units	L	P
2	44.2 [1.740]	27.2 [1.071]	12	146.2 [5.756]	129.2 [5.087]
3	54.4 [2.142]	37.4 [1.472]	13	156.4 [6.157]	139.4 [5.488]
4	64.6 [2.543]	47.6 [1.874]	14	166.6 [6.559]	149.6 [5.890]
5	74.8 [2.945]	57.8 [2.276]	15	176.8 [6.961]	159.8 [6.291]
6	85 [3.346]	68 [2.677]	16	187 [7.362]	170 [6.693]
7	95.2 [3.748]	78.2 [3.079]	17	197.2 [7.764]	180.2 [7.094]
8	105.4 [4.150]	88.4 [3.480]	18	207.4 [8.165]	190.4 [7.496]
9	115.6 [4.551]	98.6 [3.882]	19	217.6 [8.567]	200.6 [7.898]
10	125.8 [4.953]	108.8 [4.283]	20	227.8 [8.969]	210.8 [8.299]
11	136 [5.354]	119 [4.685]	—	—	—



For optional wiring, see p.132.

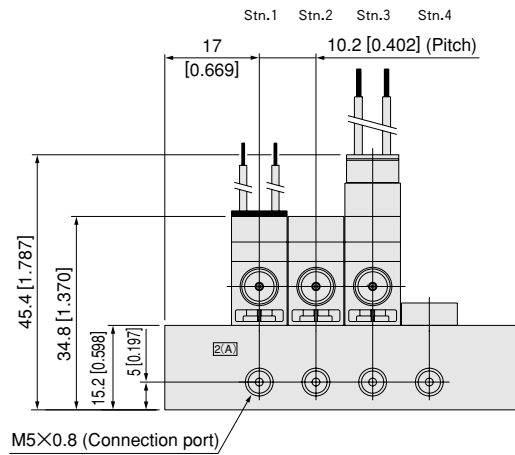
Dimensions of A Type Manifold (for Manifold Piping with Vacuum Solenoid Valves) mm [in.]

CS-G010MH□A (1(P), 3(R) port: Rc1/8)

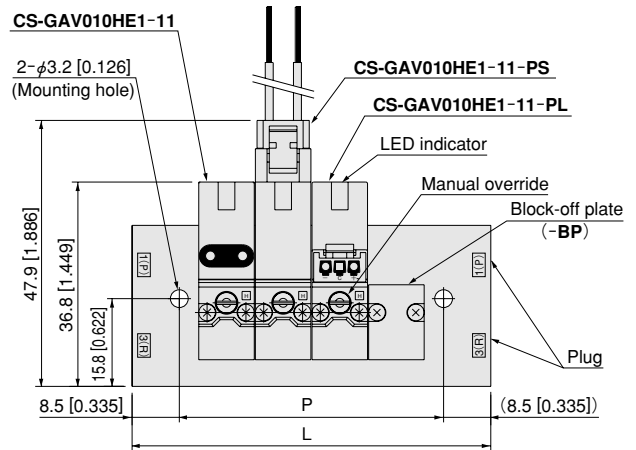
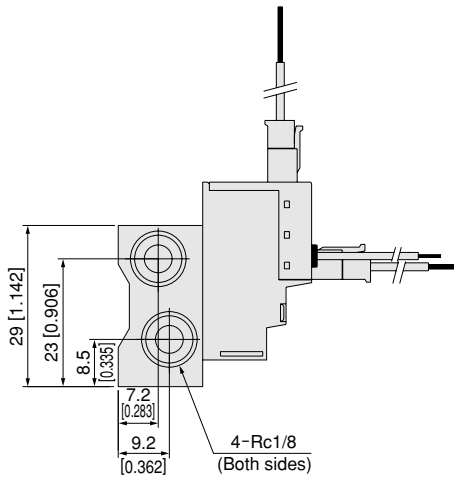


Unit dimensions

Number of units	L	P	Number of units	L	P
2	44.2 [1.740]	27.2 [1.071]	12	146.2 [5.756]	129.2 [5.087]
3	54.4 [2.142]	37.4 [1.472]	13	156.4 [6.157]	139.4 [5.488]
4	64.6 [2.543]	47.6 [1.874]	14	166.6 [6.559]	149.6 [5.890]
5	74.8 [2.945]	57.8 [2.276]	15	176.8 [6.961]	159.8 [6.291]
6	85 [3.346]	68 [2.677]	16	187 [7.362]	170 [6.693]
7	95.2 [3.748]	78.2 [3.079]	17	197.2 [7.764]	180.2 [7.094]
8	105.4 [4.150]	88.4 [3.480]	18	207.4 [8.165]	190.4 [7.496]
9	115.6 [4.551]	98.6 [3.882]	19	217.6 [8.567]	200.6 [7.898]
10	125.8 [4.953]	108.8 [4.283]	20	227.8 [8.969]	210.8 [8.299]
11	136 [5.354]	119 [4.685]	—	—	—

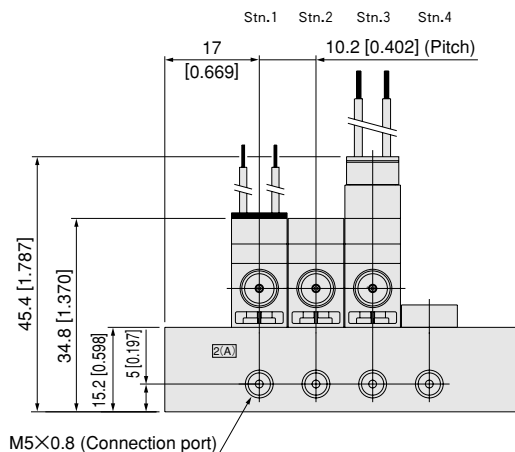


CS-G010MH□A (1(P), 3(R) port: Rc1/8)



Unit dimensions

Number of units	L	P	Number of units	L	P
2	44.2 [1.740]	27.2 [1.071]	12	146.2 [5.756]	129.2 [5.087]
3	54.4 [2.142]	37.4 [1.472]	13	156.4 [6.157]	139.4 [5.488]
4	64.6 [2.543]	47.6 [1.874]	14	166.6 [6.559]	149.6 [5.890]
5	74.8 [2.945]	57.8 [2.276]	15	176.8 [6.961]	159.8 [6.291]
6	85 [3.346]	68 [2.677]	16	187 [7.362]	170 [6.693]
7	95.2 [3.748]	78.2 [3.079]	17	197.2 [7.764]	180.2 [7.094]
8	105.4 [4.150]	88.4 [3.480]	18	207.4 [8.165]	190.4 [7.496]
9	115.6 [4.551]	98.6 [3.882]	19	217.6 [8.567]	200.6 [7.898]
10	125.8 [4.953]	108.8 [4.283]	20	227.8 [8.969]	210.8 [8.299]
11	136 [5.354]	119 [4.685]	—	—	—



For optional wiring, see p.132.