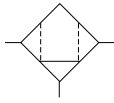


KOGANEI CLEAN SYSTEM MIST FILTERS

CS-MF300, CS-MF400, CS-MF600



Symbol

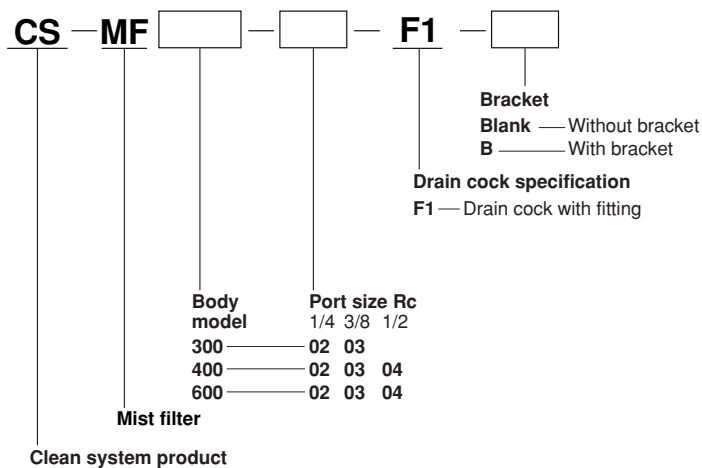


Specifications

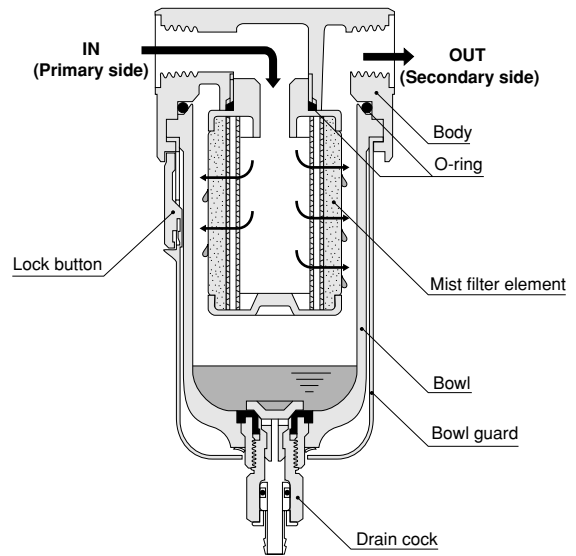
Item	Model	CS-MF300	CS-MF400 ^{Note 1}	CS-MF600		
Media		Air				
Port size	Rc	1/4, 3/8	1/4, 3/8, 1/2	1/4, 3/8, 1/2		
Filtering particle diameter	μm	0.3				
Filtering efficiency	%	99.9				
Volume of processed air ^{Note 2}	ℓ/min [ft ³ /min.] (ANR)	300 [10.6]	750 [26.5]	1500 [53.0]		
Maximum operating pressure	MPa [psi.]	0.93 [135]				
Proof pressure	MPa [psi.]	1.47 [213]				
Operating temperature range (atmosphere and media)	°C [°F]	5~60 [41~140]				
Drain capacity	cc [in. ³]	35 [2.14]	65 [3.97]	90 [5.49]		
Mass	kg [lb.]	Standard	0.41 [0.90]	0.45 [0.99]	0.78 [1.72]	
			Body	Zinc die-casting	Aluminum die-casting	
			Bowl	Polycarbonate		
	Element type	E-30M	E-40M	E-60M		
Standard attachments		Screw type drain cock with fitting, bowl guard				

Notes: 1. The CS-MF400 body size is in the 600 series.
2. Values when air pressure is 0.7MPa [102psi.].

Order Codes

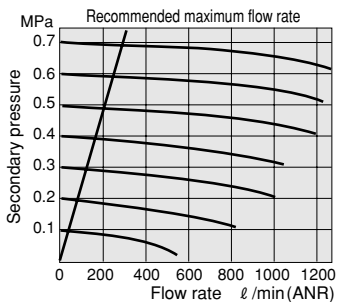


Inner Construction and Major parts

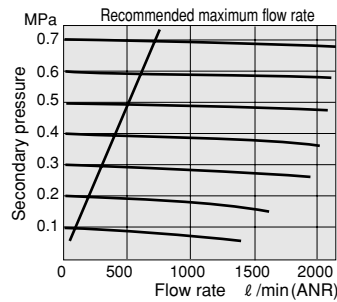


Flow Rate Characteristics

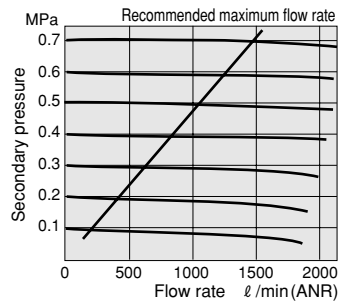
● CS-MF300



● CS-MF400



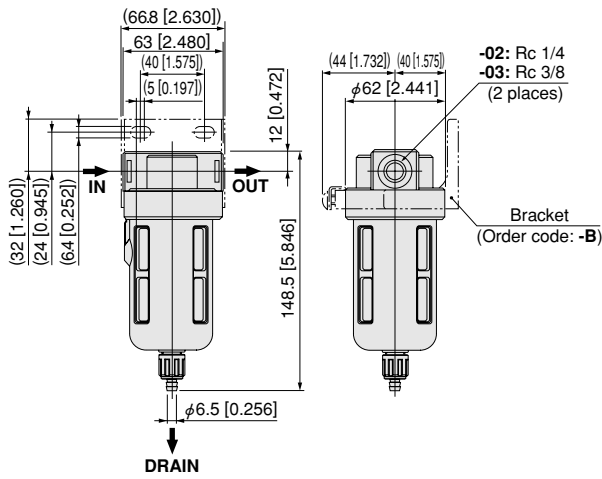
● CS-MF600



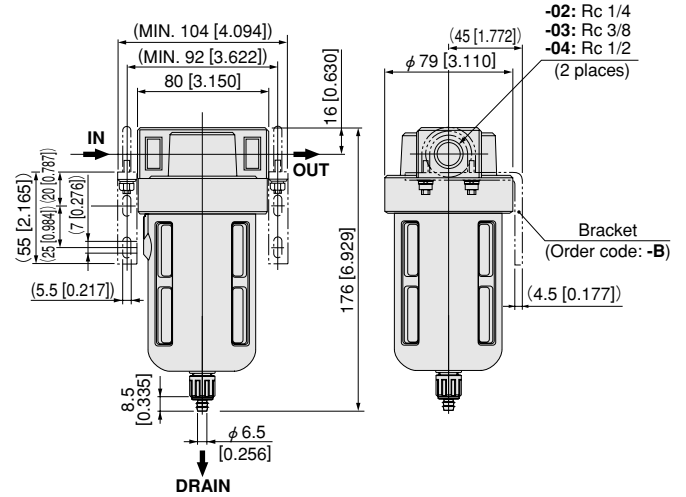
1MPa = 145psi., 1 ℓ/min = 0.0353ft³/min.

Dimensions mm [in.]

● **CS-MF300**



● **CS-MF400**



● **CS-MF600**

