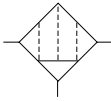




Symbol

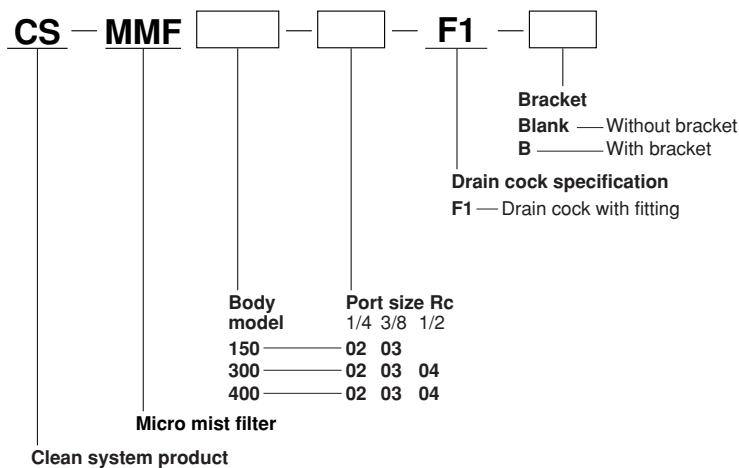


Specifications

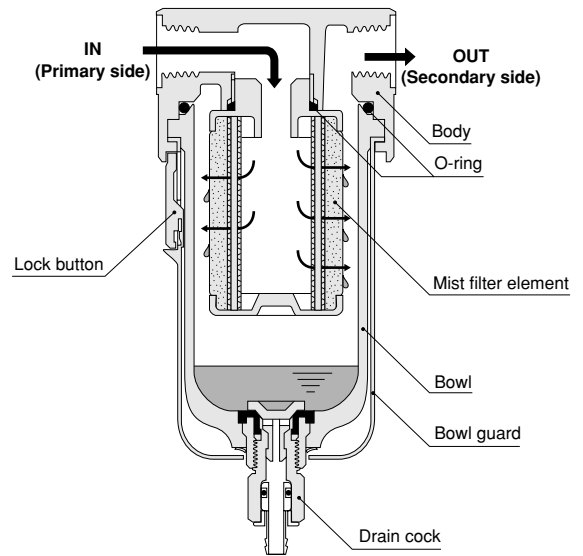
Item	Model	CS-MMF150 ^{Note 1}	CS-MMF300 ^{Note 1}	CS-MMF400 ^{Note 1}	
Media		Air			
Port size	Rc	1/4, 3/8	1/4, 3/8, 1/2	1/4, 3/8, 1/2	
Filtering particle diameter	μm	0.01			
Filtering efficiency	%	99.9999			
Volume of processed air ^{Note 2}	ℓ/min [ft ³ /min.] (ANR)	150 [5.3]	300 [10.6]	750 [26.5]	
Maximum operating pressure	MPa [psi.]	0.93 [135]			
Proof pressure	MPa [psi.]	1.47 [213]			
Operating temperature range (atmosphere and media)	°C [°F]	5~60 [41~140]			
Drain capacity	cc [in. ³]	35 [2.14]	65 [3.97]	90 [5.49]	
Mass	kg [lb.]	Standard	0.41 [0.90]	0.45 [0.99]	0.78 [1.72]
		Body	Zinc die-casting	Aluminum die-casting	
		Bowl	Polycarbonate		
	Element type	E-15MM	E-30MM	E-40MM	
Standard attachments		Screw type drain cock with fitting, bowl guard			

Notes: 1. The body size of the CS-MMF150 is the same as that of the 300 series, while the body size of the CS-MMF300 and the CSMMF400 is the same as that of the 600 series.
2. Values when air pressure is 0.7MPa [102psi.].

Order Codes

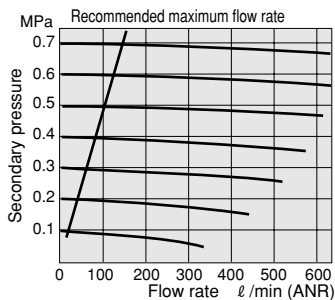


Inner Construction and Major parts

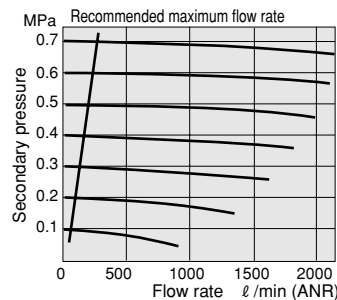


Flow Rate Characteristics

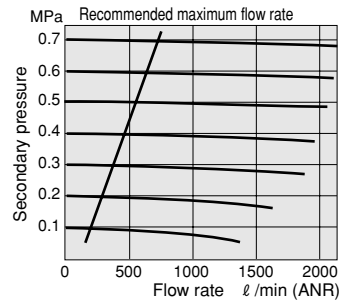
● **CS-MMF150**



● **CS-MMF300**



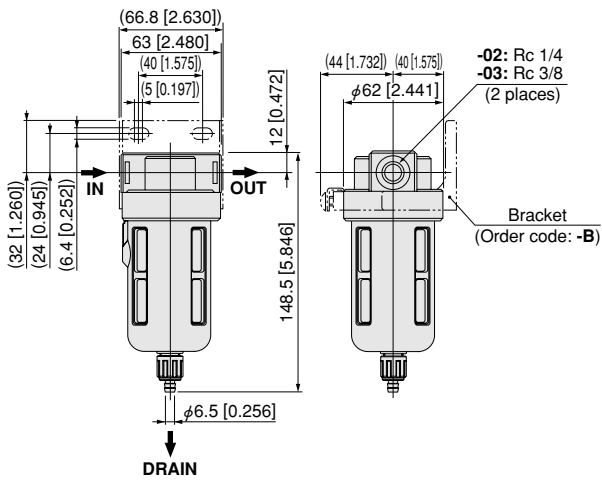
● **CS-MMF400**



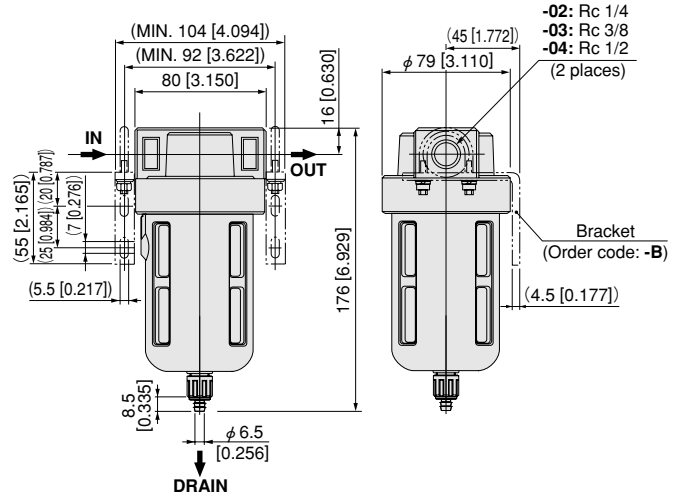
1MPa = 145psi., 1 ℓ/min = 0.0353ft.³/min.

Dimensions mm [in.]

● CS-MMF150



● CS-MMF300



● CS-MMF400

