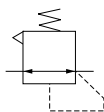


# KOGANEI CLEAN SYSTEM PRECISION REGULATOR

## CS-PR200



### Symbol

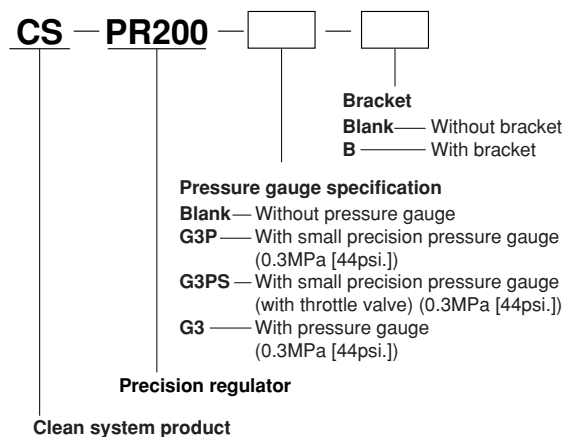


### Specifications

Item	Model	PR200
Media		Air
Port size	Rc	1/4
Sensitivity	MPa [psi.]	0.001 [0.15]
Pressure setting range	MPa [psi.]	0.005~0.25 [0.73~36]
Maximum operating pressure	MPa [psi.]	0.73 [106]
Proof pressure	MPa [psi.]	1.03 [149]
Operating temperature range (atmosphere and media)	°C [°F]	5~60 [41~140]
Air consumption <sup>Note</sup>	ℓ /min [ft. <sup>3</sup> /min.] (ANR)	5 [0.18]
Lubrication		Not required
Mass	kg [lb.]	0.29 [0.64]
Materials		Aluminum die-casting

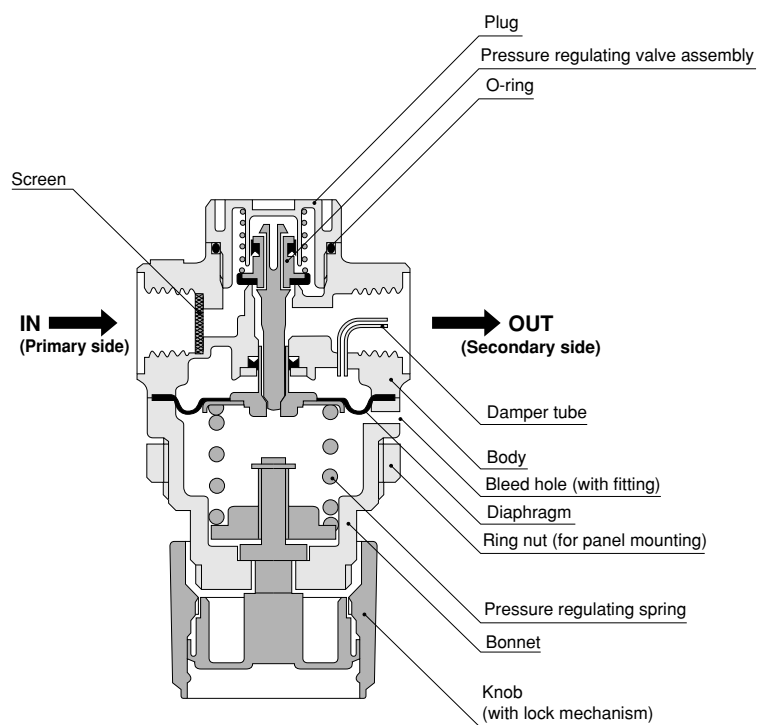
Note: Values when secondary air pressure is 0.25MPa [36psi.].

### Order Codes

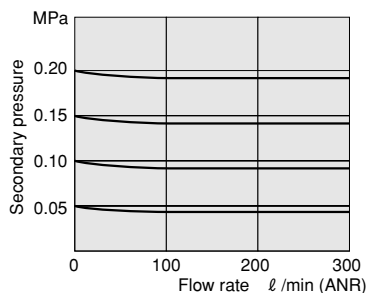


Remark: For details of the **G3** pressure gauge, see **G3-40** of the General Catalog of Air Treatment, Auxiliary, Vacuum.

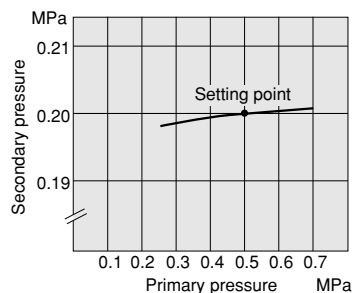
### Inner Construction and Major parts



### Flow Rate Characteristics



### Pressure Characteristics



1MPa = 145psi., 1 ℓ /min = 0.0353ft<sup>3</sup>/min.

