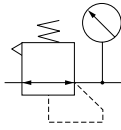


KOGANEI CLEAN SYSTEM REGULATORS

CS-R150, CS-R300, CS-R600



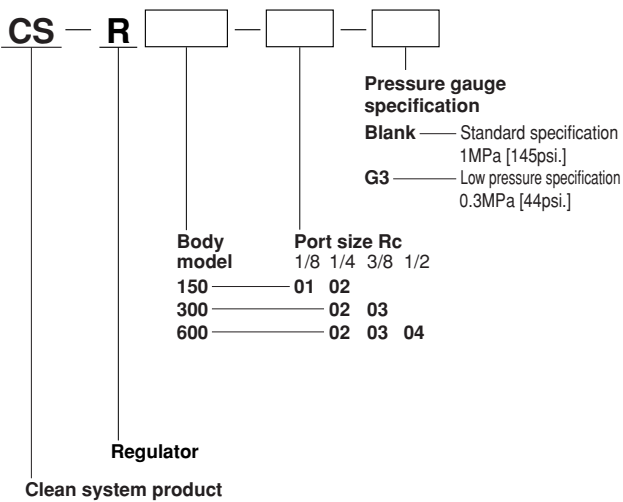
Symbol



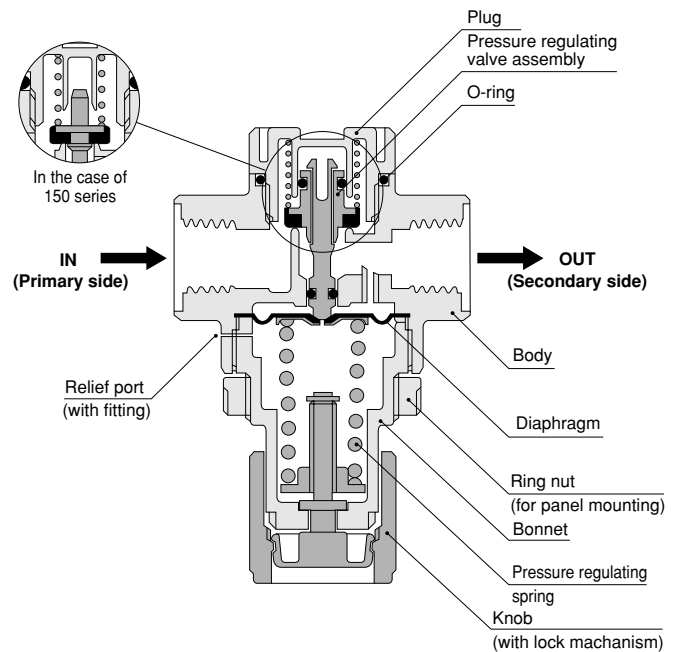
Specifications

Item	Model	CS-R150	CS-R300	CS-R600
Media		Air		
Port size	Rc	1/8, 1/4	1/4, 3/8	1/4, 3/8, 1/2
Pressure setting range	MPa [psi.]	0.05~0.83 [7~120]		
Maximum operating pressure	MPa [psi.]	0.93 [135]		
Proof pressure	MPa [psi.]	1.47 [213]		
Operating temperature range (atmosphere and media)	°C [°F]	5~60 [41~140]		
Lubrication		Not required		
Mass (with pressure gauge)	kg [lb.]	0.20 [0.44]	0.23 [0.51]	0.32 [0.71]
Materials		Aluminum die-casting	Zinc die-casting	Aluminum die-casting
Standard attachments		Bracket and pressure gauge G1-40 (φ 40×1MPa [145psi.])		Bracket and pressure gauge G1-50 (φ 50×1MPa [145psi.])

Order Codes

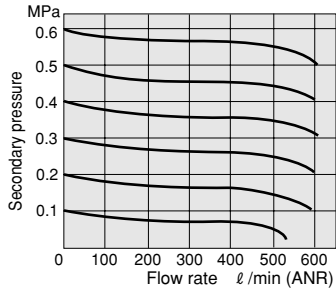


Inner Construction and Major parts

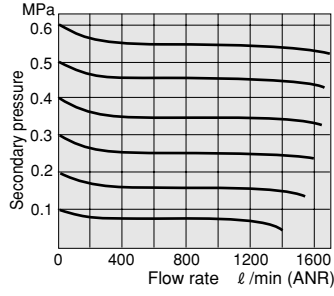


Flow Rate Characteristics

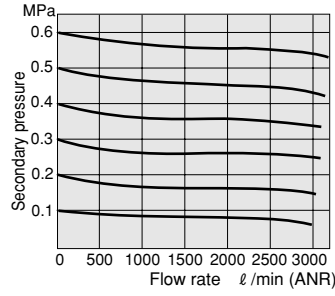
● CS-R150



● CS-R300



● CS-R600

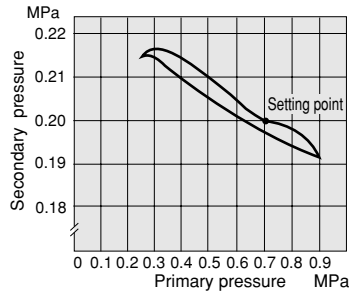


1MPa = 145psi., 1 l/min = 0.0353ft³/min.

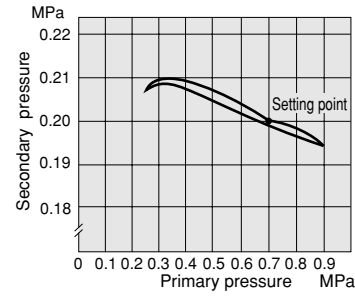
Remark: The graphs show flow rate characteristics when the primary pressure is fixed at 0.7MPa [102psi.].

Pressure Characteristics

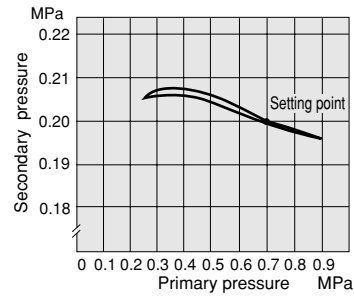
● CS-R150



● CS-R300



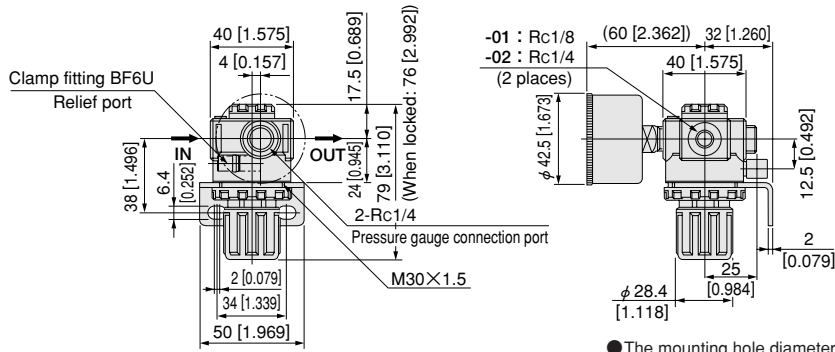
● CS-R600



1MPa = 145psi.

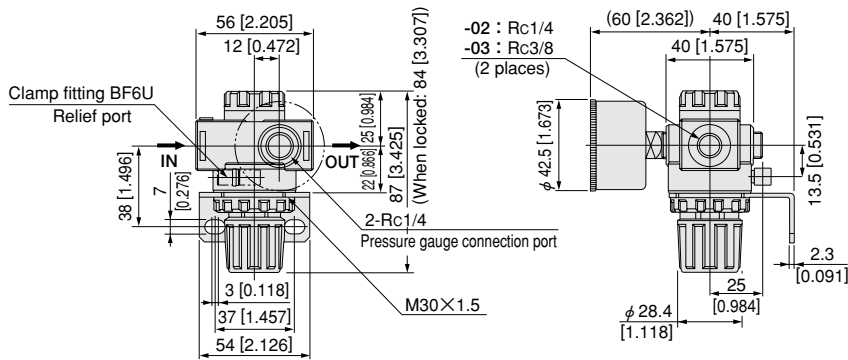
Dimensions mm [in.]

● CS-R150



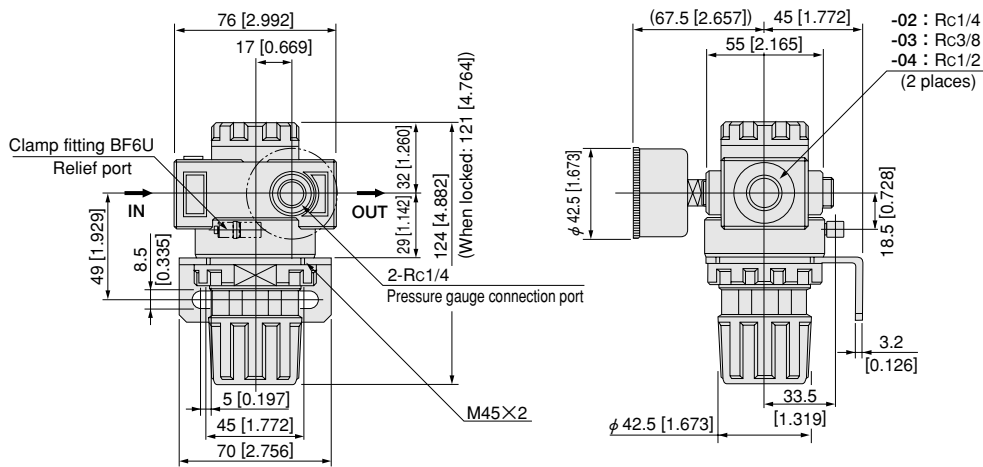
● The mounting hole diameter for mounting the regulator on a panel, etc. should be $\phi 30.5$ [1.201].

● CS-R300



● The mounting hole diameter for mounting the regulator on a panel, etc. should be $\phi 30.5$ [1.201].

● CS-R600



● The mounting hole diameter for mounting the regulator on a panel, etc. should be $\phi 45$ [1.772].