

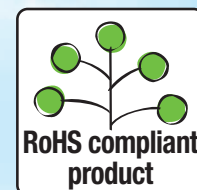
<http://www.koganei.co.jp>

NEW
Products

Electrostatic discharge unit Ionizer

Air gun type

DTRY-ELG11



3x air flow rate!

(in-house comparison)

Great increase in dust removal performance



□ Features

- The product has a 250g lightweight body, and designed for easy holding.
- High frequency AC system is highly effective at removing charges, and ion balance adjustment is not needed.
- A separate controller is unnecessary because a valve and ion generator is built in.
- Highly flexible robot cables are used for connection.
- AC adapter is attached.
- The product can be used for various applications from electronic part assembly in FA, to general manufacturing.

□ Specifications

Item	Model	DTRY-ELG11
Input voltage		24 VDC ±5% (gun)
Consumption current	mA	Approximately 100
Output voltage	kV	Approximately 2 (high-frequency type)
Indicators	Power	Power indicator LED, lit during normal discharging(green)
	Fault	Fault indicator LED, lit when fault occurs while discharging(red)
Outside dimensions	mm [in]	138[5.433] (L) × 25[0.984] (W) × 142[5.591] (H) (not including protrusions)
Weight	g [oz]	250[8.82] (gun only)
Ion balance		±15 V
Ozone generation amount	ppm	0.04 or less (200 mm from nozzle tip; air pressure 0.2 MPa)
Medium ^{Note}		Air (water vapor and oil removed to clean air)
Operating air pressure range	MPa	0.05 to 0.6
Operating environment temperature	°C [°F]	Indoors, 0[32] to 40[104] (no condensation)
Accessories		AC adapter, cable (3 m) 1

Note: Air must be provided for operation.

Remark 1: Ion balance is measured according to Koganei measurement conditions. Please contact Koganei for details.

2: Use only Koganei nozzles. Never attempt to modify nozzles. Doing so creates the risk of product malfunction, loss of function, or damage.

Order codes

● Gun

DTRY-ELG11



Gun

AC adapter (accessory)

Rating
 Input: 100 to 240 VAC
 50/60 Hz 0.6 A
 Output: 24 VDC 750 mA
 Cable length: 300 mm

Cable (accessory)

Cable length 3 m

● Options (sold separately)

Replacement tungsten discharge needle
 (unit: 5 per set)

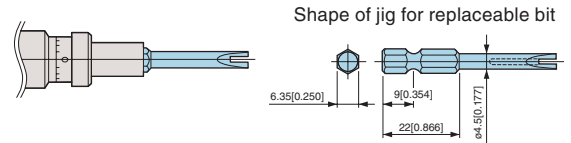
DTRY-ZEM-G11

Note For DTRY-ELG11 air gun type only

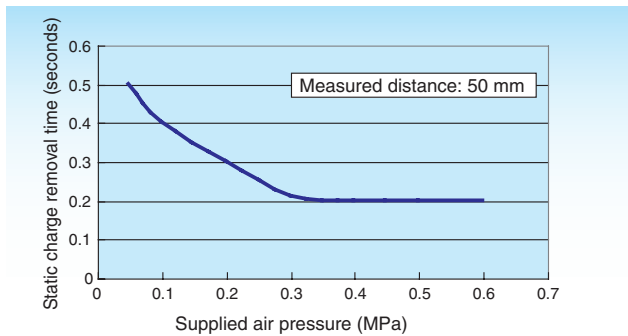
Special tool for replacing discharge needle

Note: Only bits are for sale

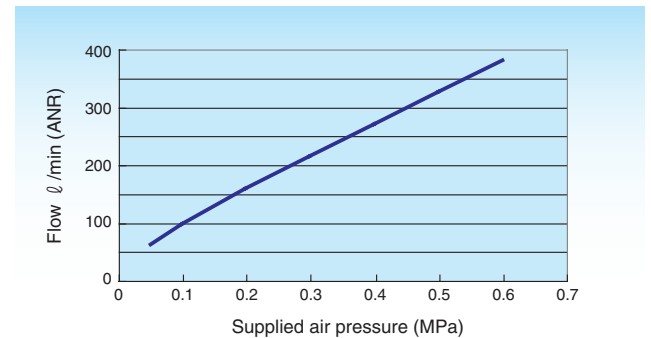
DTRY-ELB21



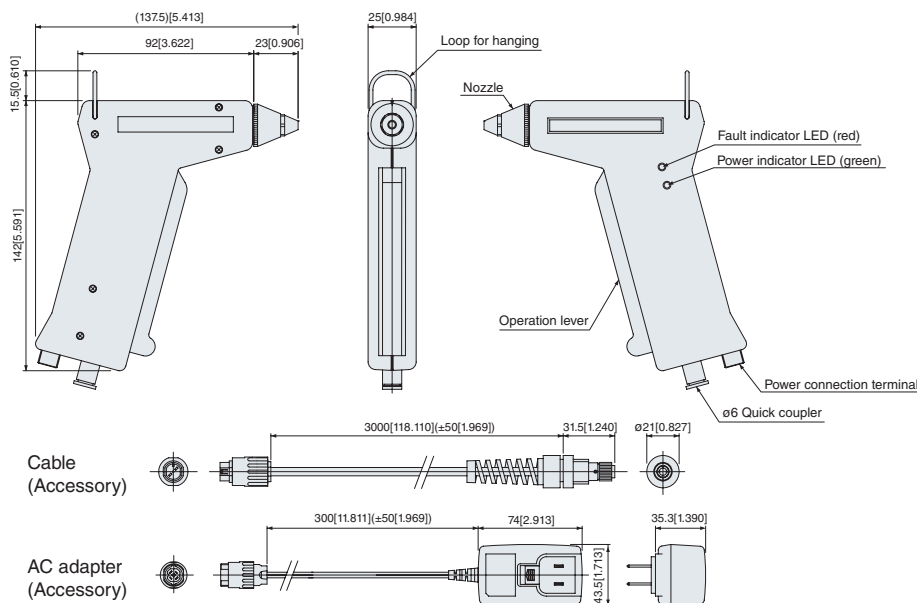
Static charge removal characteristics



Flow rate characteristics



Dimensions (mm) [in]



URL <http://www.koganei.co.jp>

E-mail: overseas@koganei.co.jp



KOGANEI CORPORATION

OVERSEAS DEPARTMENT
 3-11-28, Midori-cho, Koganei City, Tokyo 184-8533, Japan
 Tel: 81-42-383-7271 Fax: 81-42-383-7276