

<http://www.koganei.co.jp>

ISO9001
ISO14001



NEW
Products

Creceed

Static Electricity Removing Unit IONIZER

WIDE FLOW FAN TYPE

Environmentally friendly
RoHS Compliant Product



Swiftly removes static charges on wide workpieces!

- Lightweight, compact design
- Detachable mechanism for discharging needle units improves maintenance
- CE marking conformity



Static Electricity Removing Unit IONIZER

WIDE FLOW FAN TYPE



Environmentally friendly **RoHS** compliant product!

Features

- Available in 2 models according to where to install, and types of applications, thanks to no air supply requirement.
- Suitable for removing static charges on wide workpieces.
- Built-in low-noise cross-flow fan (48dB (A) or less).
- Detachable mechanism for discharging needle units improves maintenance.
- Main body height is adjustable to 3 different settings.
- Air flow rate adjusting knob enables you to obtain the required air flow rate.
- High frequency AC method provides good ion balance (within ± 10 V).
- CE marking conformity products.



Air flow rate adjusting knob

Using the adjusting knob enables stepless air flow rate adjustment.

Main unit mounting hole

Height can be adjusted to 3 different settings.



Front

(Photo:DTRY-ELW22)

Ground terminal

Connector



Rear

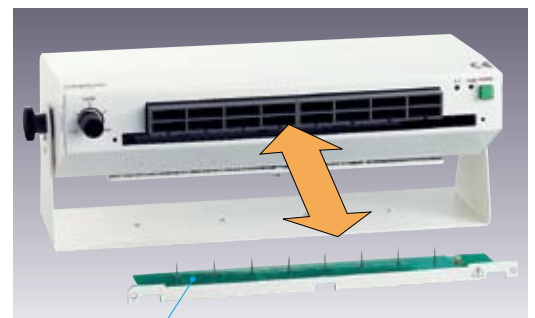
Filter



Bottom of the main unit

Selector for switching between abnormality output contact points

Contact point is switchable between NO (a-contact) and NC (b-contact).
(Contact point selector's protection sticker included)



Discharging needle unit

During maintenance, the discharging needle unit can be removed for cleaning, eliminating any concern about particles uncovered during cleaning falling onto the interior of the body.
(cleaning brush for discharging needle included)

CONTENTS

Graphs of Static Charge Removing	
Characteristics/Specifications	②
Order Codes	③
Dimensions	④
Handling Instructions and Precautions	⑤

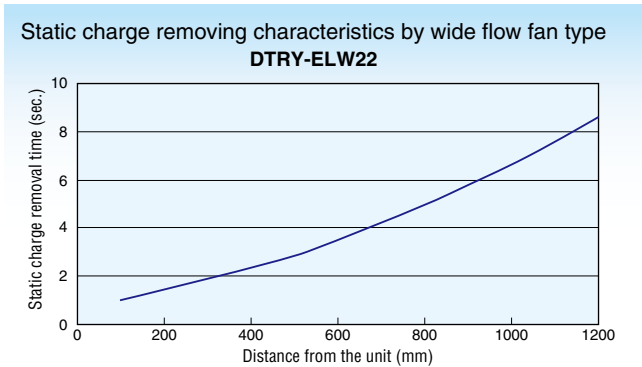


Caution

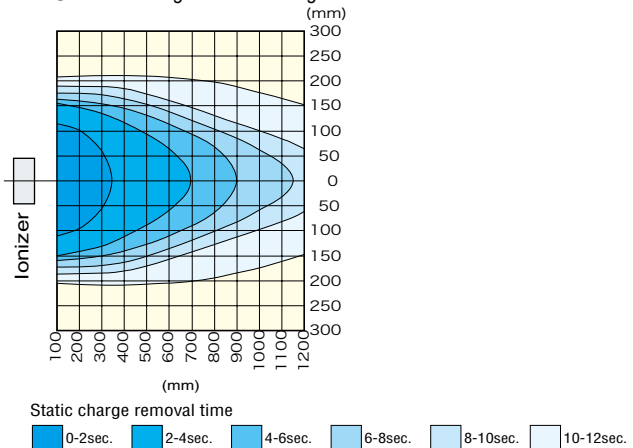
Always read Safety precautions for Static Electricity Removing Unit IONIZER (Catalog No. BK-R0001) before use.

Graphs of Static Charge Removing Characteristics/ Static Charge Removal Range (reference)

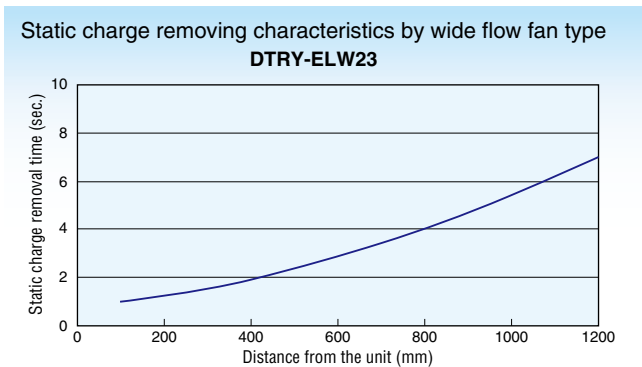
● DTRY-ELW22



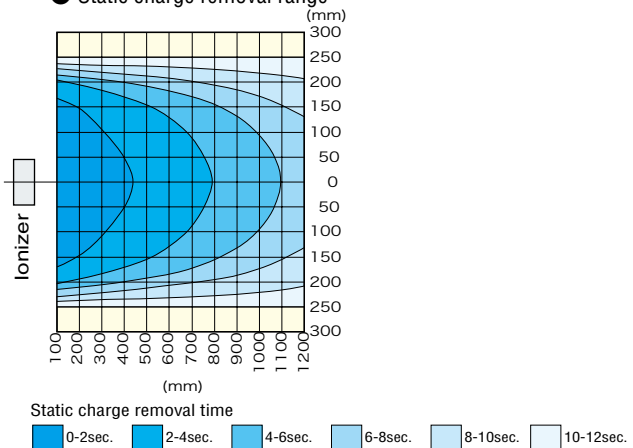
● Static charge removal range



● DTRY-ELW23



● Static charge removal range



- Notes: 1. The measurement method uses a 20pF and □ 150mm charged plate monitor, measured under Koganei's general measurement conditions.
 2. Static removal time means decaying time from ± 1000V to ± 100V, without a filter and while at the maximum air flow rate.
 3. The static charge removing characteristics were measured from the center of the fan outlet.

Specifications

■ Wide flow fan type

Item	Model	DTRY-ELW22	DTRY-ELW23
Power supply		24VDC ± 5%	
Consumption current	mA	260	400
Output voltage	kV	Approx. 2 (High frequency type)	
LED Indicator	Power supply	While the Power Switch is pushed ON, the Power Switch LED (lighted pushbutton switch: Green) and the H.V.power indicator LED (Green) on the front of the main unit turn on.	
	Abnormality	When an abnormality occurs during discharge, the abnormality indicator LED (Red) on the front of the main unit turns on.	
Power safety circuit		The contact point output NO/NC used on abnormality occurrence during discharge is selectable. ^{Note 1} (24 VDC 50 mA Max.)	
Outer dimensions ^{Note2}	mm	120.5 (L) × 308 (W) × 118 (H)	120.5 (L) × 408 (W) × 118 (H)
Mass	kg [lb]	Approx. 2.1 [4.6]	Approx. 2.6 [5.7]
Ion balance ^{Note3}	V	± 15	
Static charge removal time ^{Note3}	sec.	2 or less	
Ozone generation amount ^{Note3}	ppm	0.03 or less	
Fan capacity	Max. flow rate m ³ /min [ft ³ /min.]	1.3 [46]	2.2 [78]
	Adjustment	Stepless adjustment by using the air flow rate adjusting knob	
Operating ambient temperature	°C [°F]	Indoor 0 ~ 40 [32 ~ 104] (no condensation)	
Accessories		Owner's manual, 1 pc. power and signal cable (2 m [78.7in.]), 1 pc. ground lead wire (2 m [78.7in.]), 1 pc. cleaning brush for discharging needle, and 1 pc. contact point selector's protection sticker	

- Notes: 1. For output of abnormality output contact point, see page 6.
 2. Does not include protruding parts. The case of using the topmost level mounting holes on the main unit mounting bracket.
 3. At a point 300mm from the center of the fan outlet, at the maximum air flow rate.

Remark: Ion balance and static charge removal time were measured by in-house test standard. Contact us for more details.

Order Codes

Wide Flow Fan Type

■ Main unit

DTRY-ELW22 (200mm opening type)



DTRY-ELW23 (300mm opening type)



■ Option

- Discharging needle unit for replacement (sales unit: 1 pc.)

DTRY-ZEM-W22
(for DTRY-ELW22)

DTRY-ZEM-W23
(for DTRY-ELW23)



- Replacement filter (sales unit: a set of 5 pcs.)

DTRY-ZFU-W22
(for DTRY-ELW22)

DTRY-ZFU-W23
(for DTRY-ELW23)



- AC adapter

DTRY-ELC04

Rating
Input: 100 VAC to 240 VAC
50/60 Hz 0.6 A
Output: 24 VDC 750 mA



- Power signal cable (2m)

DTRY-ADN-DSC

- Earth lead wires (2m)

DTRY-ADN-YGC

- Bracket (2 knob bolts, 2 rubber gaskets included)

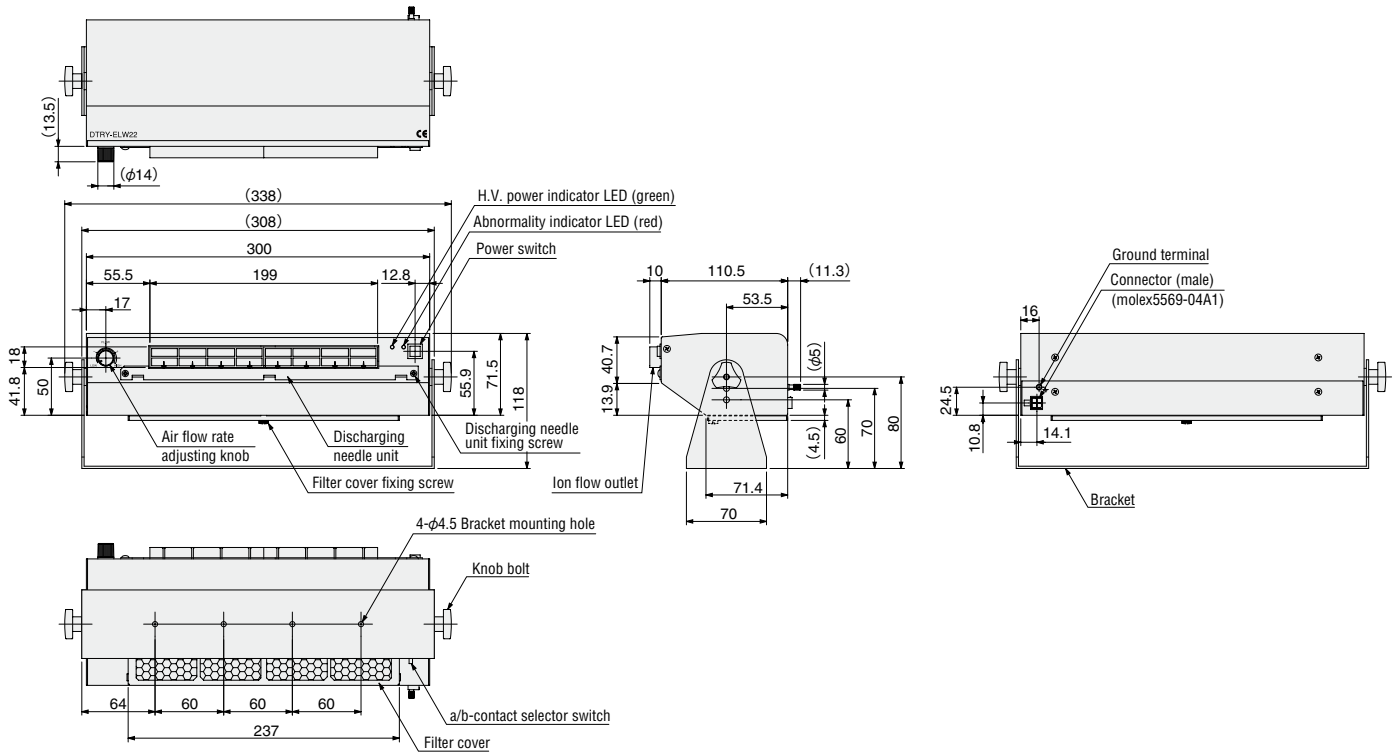
DTRY-ZBK-W22 (Only for DTRY-ELW22)

DTRY-ZBK-W23 (Only for DTRY-ELW23)

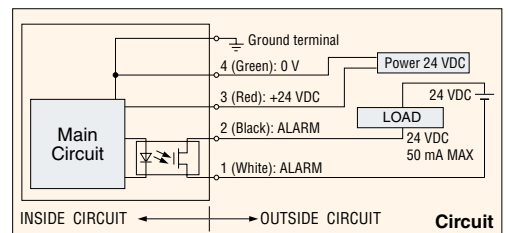
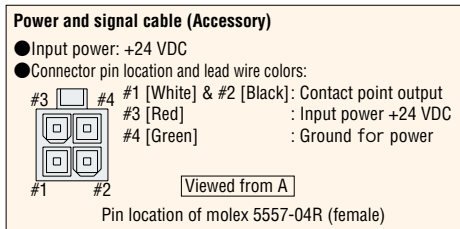
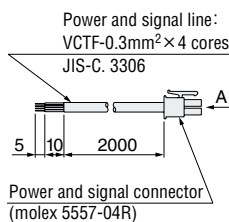
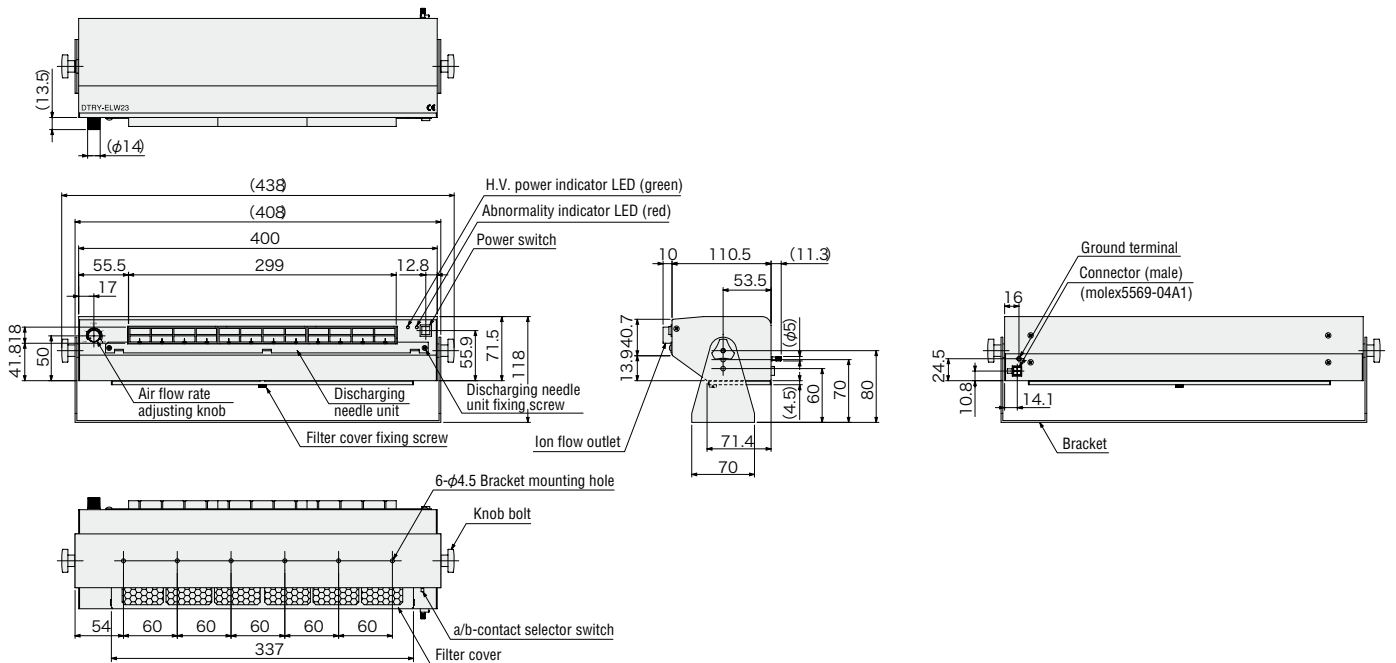
Dimensions (mm)

Wide Flow Fan Type

● DTRY-ELW22



● DTRY-ELW23



Notes 1: ON/OFF of the power to the Ionizer should be done at the input side (+24 VDC side).
 2: Ground for power and ground terminal are connected inside.

Handling Instructions and Precautions (Wide flow fan type)

Installation

When installing, ensure sufficient space so as not to block the suction opening.

Precaution on Use

1. Before inspections, cleaning, or maintenance, be sure to disconnect the power cable from the connector.
2. The discharging needle has a sharp-pointed tip. Handle the discharging needle unit with care when removing or cleaning it. Otherwise it could possibly result in injury. Pay attention not to bend or break a discharging needle. Otherwise, you could not get the desired effect.
3. Do not disassemble the discharging needle unit. Since the discharging needle has a sharp-pointed tip, you could be injured.
4. A poor operating environment (e.g., very humid conditions) or failure to clean the discharging needle will lead to degraded performance of the discharging needle. Hence, periodic maintenance is required to maintain performance. For maintenance, refer to the supplied instruction manual.
5. To turn ON/OFF externally, make it +24 VDC on the input side.

Output of abnormality output contact point

1. This product's abnormality output circuit starts normal operation about 2 seconds after the power is switched on. Be sure to take this point into consideration when designing an abnormality detection circuit for such as installing on equipment.
2. Abnormality output may occur if the power to the ionizer is switched off and then immediately switched on again. Allow an interval of at least 2 seconds after switching off the power before switching it on again.

For output at the time of setting each contact point, see the table below.

Setting MODE	Power OFF	Power ON	Abnormality
NO (a-contact)	OPEN	OPEN	CLOSE
NC (b-contact)	OPEN	CLOSE	OPEN



Caution

Always read Safety precautions for Static Electricity Removing Unit IONIZER (Catalog No. BK-R0001) before use.

Limited Warranty

KOGANEI CORP. warrants its products to be free from defects in material and workmanship subject to the following provisions.

Warranty Period The warranty period is 180 days from the date of delivery.

Koganei Responsibility If a defect in material or workmanship is found during the warranty period, KOGANEI CORP. will replace any part proved defective under normal use free of charge and will provide the service necessary to replace such a part.

Limitations

- This warranty is in lieu of all other warranties, expressed or implied, and is limited to the original cost of the product and shall not include any transportation fee, the cost of installation or any liability for direct, indirect or consequential damage or delay resulting from the defects.

- KOGANEI CORP. shall in no way be liable or responsible for injuries or damage to persons or property arising out of the use or operation of the manufacturer's product.

- This warranty shall be void if the engineered safety devices are removed, made inoperative or not periodically checked for proper functioning.

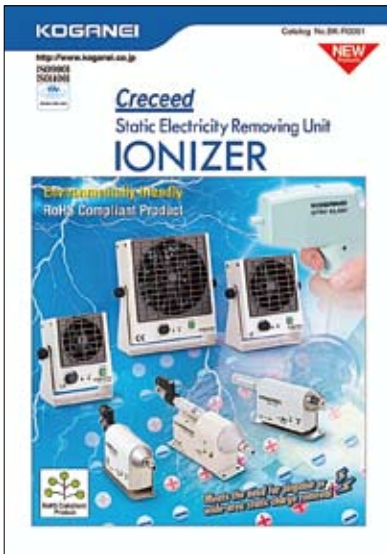
- Any operation beyond the rated capacity, any improper use or application, or any improper installation of the product, or any substitution upon it with parts not furnished or approved by KOGANEI CORP., shall void this warranty.

- This warranty covers only such items supplied by KOGANEI CORP. The products of other manufacturers are covered only by such warranties made by those original manufacturers, even though such items may have been included as the components.

The specifications are subject to change without notice.

Related catalog

IONIZER resolving problems caused by static charges. Wide variety of IONIZERS, which meet the need of pinpoint to wide-area static charge removal, are provided.



Static Electricity Removing Unit IONIZER
Catalog No.BK-R0001

URL <http://www.koganei.co.jp>

E-mail: overseas@koganei.co.jp



KOGANEI CORPORATION

OVERSEAS DEPARTMENT

3-11-28, Midori-cho, Koganei City, Tokyo 184-8533, Japan
Tel: 042-383-7271 Fax: 042-383-7276

MICHIGAN REPRESENTATIVE OFFICE

5070 East N Ave., Kalamazoo, Michigan, 49048, U.S.A.
Tel: 269-388-8769 Fax: 269-388-8771

SHANGHAI KOGANEI INTERNATIONAL TRADING CORPORATION

Room 2606-2607, Tongda Venture Building No.1, Lane 600, Tianshan Road, Shanghai, 200051, China
Tel: 021-6145-7313 Fax: 021-6145-7323

KOGANEI-PORNCHAI CO., LTD.

89/174 Moo 3, Vibhavadee Rangsit Road, Talad Bangkhen, Laksi, Bangkok, 10210, Thailand
Tel: 02-551-4025 Fax: 02-551-4015