

# CABLE ASSEMBLIES INDEX



### F Series

Split Type Manifold, Plug-in Type Cable Assembly by Wiring Specification	1037
FM-SOLID MANIFOLD X80M, X88M Series	
Applicable Cable Assembly Map	1039
Applicable Connector Cable Map	1040
Remote Control Box	1041

# F Series Split Type Manifold, Plug-in Type Cable Assembly by Wiring Specification

Dedicated cable assemblies are provided for the various wiring specifications.

## Order Codes

FMA - [ ] - [ ] - [ ]

### Types of dedicated cables

- 100W : dedicated cable assembly for -F100
- 101W : dedicated cable assembly for -F101
- 200W : dedicated cable assembly for -F200
- 201W : dedicated cable assembly for -F201
- 260W : dedicated cable assembly for -F260
- 250W : dedicated cable assembly for -D250
- 251W : dedicated cable assembly for -D251

### Lead wire end processing

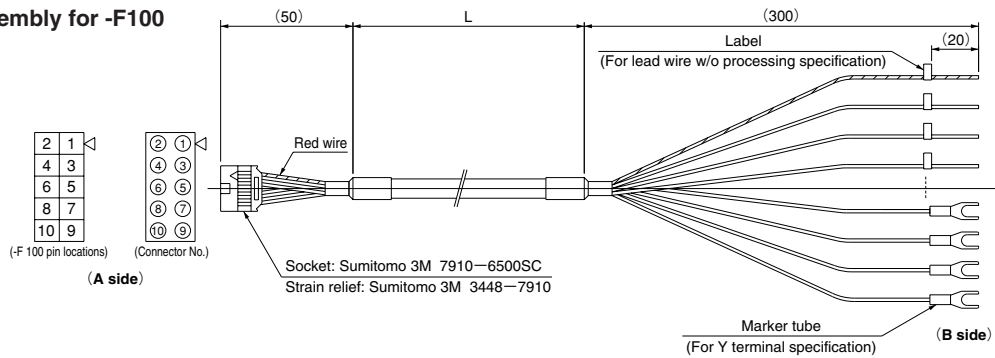
- Blank : Lead wire w/o processing  
[With dedicated label/No. indication]
- Y : Y terminal (M3.5)  
[With marker tube/No. indication]

Cable length (m) : 0.5~5.0 (Enter by the 0.5m pitch)  
 ※ Used cable: UL STYLE NO.20266 150V 80°C [176°F]  
 AWG28(7/0.127 [cables/mm])

**Note: Always perform wiring correctly, with confirmation of the pin locations, connector numbers, label numbers, marker tube numbers, etc.**

### ● Dedicated Cable Assembly for -F100

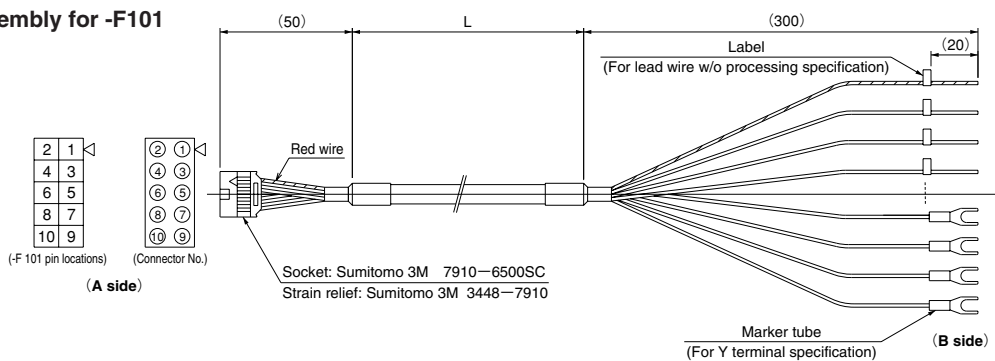
FMA-100W-[ ]-[ ]



A side	-F100 pin locations	1	2	3	4	5	6	7	8	9	10
	Connector No.	①	②	③	④	⑤	⑥	⑦	⑧	⑨	⑩
B side	Label, marker tube No.	1	2	3	4	5	6	7	8	COM	COM

### ● Dedicated Cable Assembly for -F101

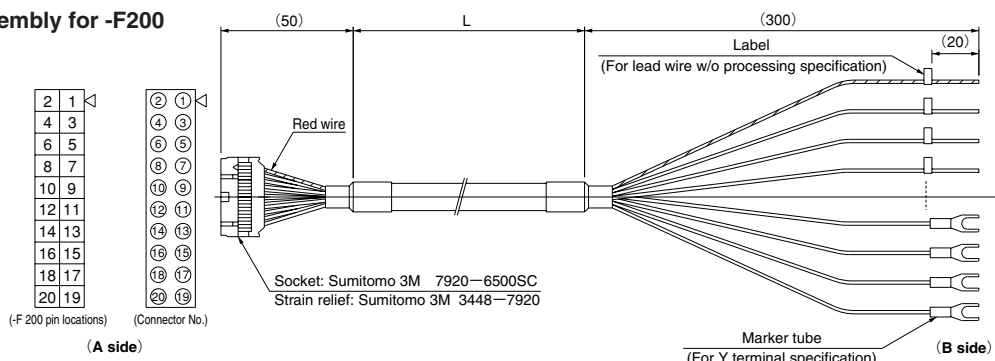
FMA-101W-[ ]-[ ]



A side	-F101 pin locations	1	2	3	4	5	6	7	8	9	10
	Connector No.	①	②	③	④	⑤	⑥	⑦	⑧	⑨	⑩
B side	Label, marker tube No.	1	2	3	4	5	6	7	8	-	+

### ● Dedicated Cable Assembly for -F200

FMA-200W-[ ]-[ ]



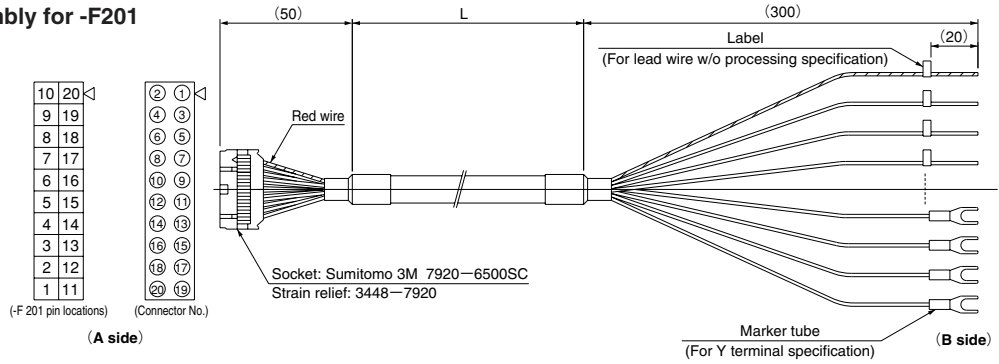
A side	-F200 pin locations	1	2	3	4	5	6	7	8	9	10	11	12	13	14	15	16	17	18	19	20
	Connector No.	①	②	③	④	⑤	⑥	⑦	⑧	⑨	⑩	⑪	⑫	⑬	⑭	⑮	⑯	⑰	⑱	⑳	
B side	Label, marker tube No.	1	2	3	4	5	6	7	8	9	10	11	12	13	14	15	16	-	-	+	+

# F Series Split Type Manifold, Plug-in Type Cable Assembly by Wiring Specification

## ● Dedicated Cable Assembly for -F201

FMA-201W-□-□

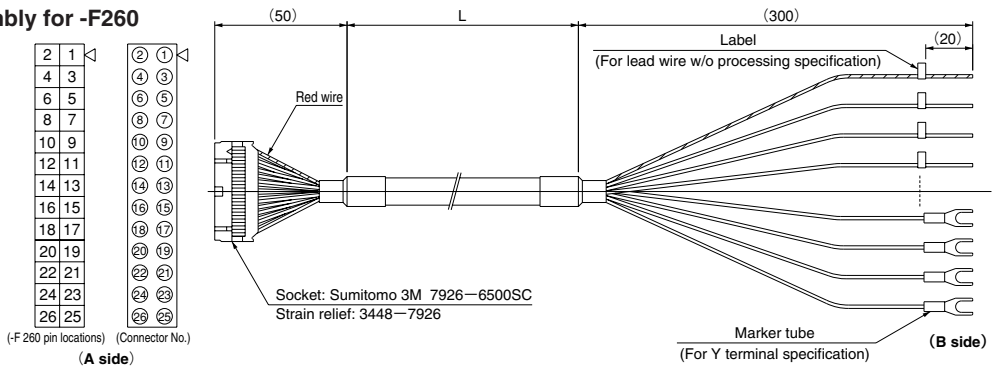
Note: Note that the pin location numbers and connector numbers sometimes do not match.



A side	-F201 pin locations	1	2	3	4	5	6	7	8	9	10	11	12	13	14	15	16	17	18	19	20
	Connector No.	20	18	16	14	12	10	8	6	4	2	19	17	15	13	11	9	7	5	3	1
B side	Label, marker tube No.	1	2	3	4	5	6	7	8	-	+	9	10	11	12	13	14	15	16	-	+

## ● Dedicated Cable Assembly for -F260

FMA-260W-□-□

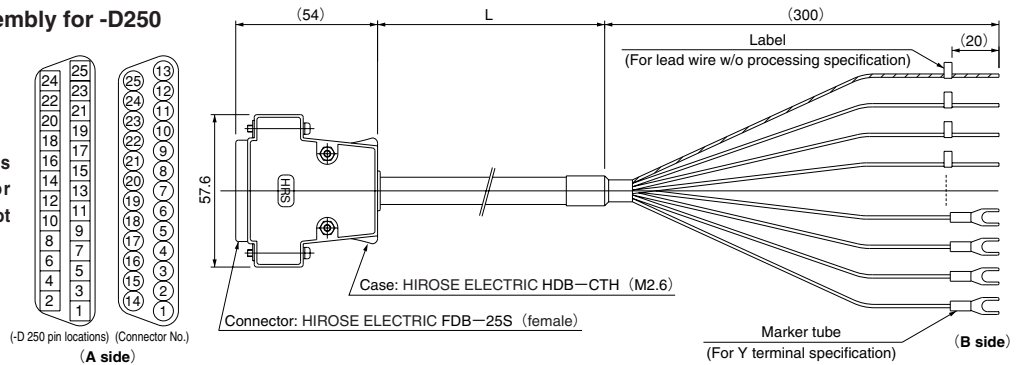


A side	-F260 pin locations	1	2	3	4	5	6	7	8	9	10	11	12	13	14	15	16	17	18	19	20	21	22	23	24	25	26
	Connector No.	1	2	3	4	5	6	7	8	9	10	11	12	13	14	15	16	17	18	19	20	21	22	23	24	25	26
B side	Label, marker tube No.	1	2	3	4	5	6	7	8	9	10	11	12	13	14	15	16	17	18	19	20	/	/	-	-	+	+

## ● Dedicated Cable Assembly for -D250

FMA-250W-□-□

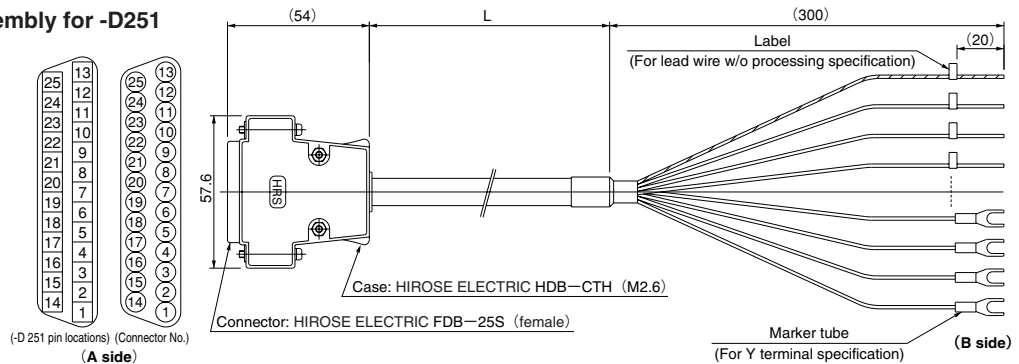
Note: Note that the pin locations numbers and connector numbers sometimes do not match.



A side	-D250 pin locations	1	2	3	4	5	6	7	8	9	10	11	12	13	14	15	16	17	18	19	20	21	22	23	24	25
	Connector No.	1	14	2	15	3	16	4	17	5	18	6	19	7	20	8	21	9	22	10	23	11	24	12	25	13
B side	Label, marker tube No.	1	2	3	4	5	6	7	8	9	10	11	12	13	14	15	16	/	/	/	-	-	-	+	+	+

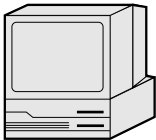
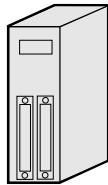
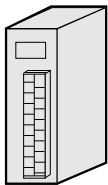







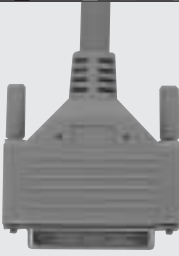





## ● Dedicated Cable Assembly for -D251

FMA-251W-□-□



A side	-D251 pin locations	1	2	3	4	5	6	7	8	9	10	11	12	13	14	15	16	17	18	19	20	21	22	23	24	25
	Connector No.	1	2	3	4	5	6	7	8	9	10	11	12	13	14	15	16	17	18	19	20	21	22	23	24	25
B side	Label, marker tube No.	1	2	3	4	5	6	7	8	9	10	/	/	11	12	13	14	15	16	17	18	19	20	+	+	

# X80M, X88M Series Applicable Cable Assembly Map

Control side				
<b>Connectors</b> Output type  	<b>Connector type output card</b>  	<b>Terminal block output card</b> PC terminal output  	<b>Remote control box</b> Connection cable for <b>FMA-RCB16D</b> only  	
<b>Connection devices</b>				
<b>Connection type</b> <ul style="list-style-type: none"> <li>● <b>AWG28</b> With numbering</li> </ul> 	<ul style="list-style-type: none"> <li>● <b>FUJITSU360 connector 24P</b> <b>FCN361J-024-AU</b> connector <b>FCN360C-024-B</b> cover</li> </ul> 	<ul style="list-style-type: none"> <li>● <b>M3.5(MAX)</b> With numbering</li> </ul> 	<ul style="list-style-type: none"> <li>● <b>D-sub connector 25P</b></li> </ul> 	
<b>Order Code</b>	Cable length # # # L = 150 [4.9], 300 [9.8], 500 [16.4] (cm [ft.])  (Note: Purchase the OMRON G79- * * from OMRON.)			
	(Note) <b>OMRON G79- * *</b>			
	<b>FMA-AF200-A-###</b>  <b>FMA-AF200-Y-###</b>  <b>FMA-AF200-D-150</b>	<b>FMA-AF201-D-150</b>	<b>FMA-AD250-A-###</b>  <b>FMA-AD250-J-###</b>  <b>FMA-AD250-Y-###</b>  <b>FMA-AD250-D-150</b>	<b>FMA-AF100-D-150</b>  <b>FMA-AF101-D-150</b>
<b>Connection type</b>				
<b>Connection module</b>				
	※ The photo shows X80M series.  <b>FM-SOLID MANIFOLD</b> Wiring module <b>FMC-R-F200-DC</b> □ V <b>FMC-F200-DC</b> □ V ● Flat cable connector 20P	※ The photo shows X80M series.  <b>FM-SOLID MANIFOLD</b> Wiring module <b>FMC-R-F201-DC</b> □ V <b>FMC-F201-DC</b> □ V ● Flat cable connector 20P	※ The photo shows X80M series.  <b>FM-SOLID MANIFOLD</b> Wiring module <b>FMC-R-D250-M2.6-DC</b> □ V <b>FMC-R-G250-M2.6-DC</b> □ V <b>FMC-D250-M2.6-DC</b> □ V ● D-sub connector 25P	<b>FM-SOLID MANIFOLD</b> Wiring module <b>FMC-R-F100-DC</b> □ V ● Flat cable connector 10P
<b>Operation side</b>				