

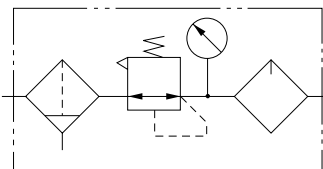
# F.R.L. COMBINATIONS

CN650, CN750, CN750A, CN900,  
CN900A, CY650, CY900, CY900A,  
CZ650, CZ900

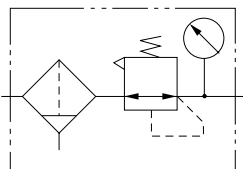


## Symbols

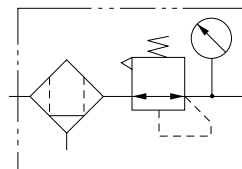
● CN



● CY



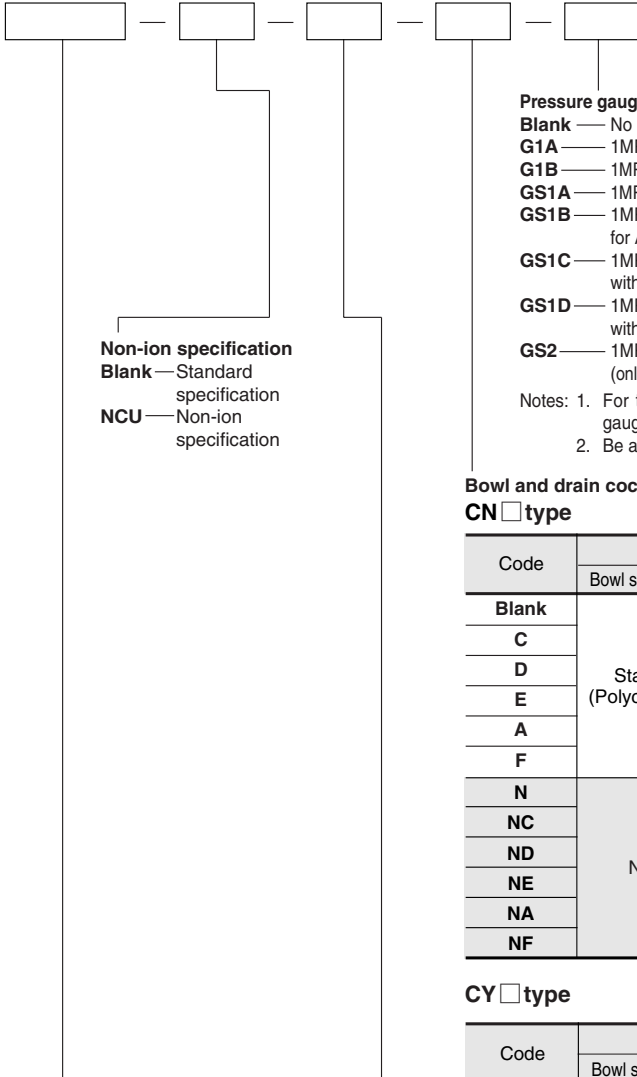
● CZ



## Specifications

Item	Model	CN650	CN750	CN750A	CN900	CN900A	CY650	CY900	CY900A	CZ650	CZ900
Media		Air or non-corrosive gas									
Port size	Rc	3/4, 1									
Filtration rating	$\mu$ m	5		40	5	40	5		40		0.3
Pressure setting range	MPa [psi.]	0.05~0.83 [7~120]									
Max. operating pressure	MPa [psi.]	0.97 [141]									
Proof pressure	MPa [psi.]	1.47 [213]									
Operating temperature range	$^{\circ}$ C [ $^{\circ}$ F]	5~60 [41~140]									
Air filter drain capacity	cc [in. <sup>3</sup> ]	90 [5.5]		130 [7.9]			90 [5.5]		130 [7.9]		160 (MF800) [9.8]
Oil capacity for lubricator	cc [in. <sup>3</sup> ]	160 [9.8]									—
Recommended lubrication		Turbine oil Class 1 [ISO VG32]									—
Oil mist separating efficiency	%	—									99.9
Max. processed flow rate	$\ell$ /min [ft <sup>3</sup> /min] (ANR)	2000 [70.6]			6000 [212]		2000 [70.6]	6000 [212]		2000 [70.6]	4000 [141]
Mass	kg [lb]	Standard	2.29 [5.05]	3.48 [7.67]	3.44 [7.59]	1.43 [3.15]	2.35 [5.18]	2.50 [5.51]	2.76 [6.09]		
	Auto drain type	2.32 [5.12]	3.51 [7.74]	3.47 [7.65]	1.46 [3.22]	2.38 [5.25]	2.53 [5.58]	2.80 [6.17]			
Materials	Body	Aluminum die-casting									
	Bowl	Polycarbonate								Aluminum die-casting	
Models of included components	Air filter	FN650	FN900	FN901	FN900	FN901	FN650	FN900	FN901	MF800	MF800
	Regulator	RN650	RN650	RN650	RN900	RN900	RN650	RN900	RN900	RN650	RN900
	Lubricator	LN650	LN900	LN900	LN900	LN900	—	—	—	—	—
Standard attachments	Bracket	8-65ND			8-90R		8-65ND	8-90R		8-90ND	8-90R
	Air filter	Screw type drain cock, bowl guard								Screw type drain cock	
	Regulator	—									
	Lubricator	Bowl guard									—

# Order Codes



**Non-ion specification**  
**Blank** — Standard specification  
**NCU** — Non-ion specification

**Pressure gauge specification**

- Blank** — No pressure gauge
- G1A** — 1MPa [145psi.] specification,  $\phi$  40 pressure gauge<sup>Note2</sup>
- G1B** — 1MPa [145psi.] specification,  $\square$ 30 Embedded pressure gauge (only for 900 series)<sup>Note1</sup>
- GS1A** — 1MPa [145psi.] specification,  $\square$ 50 Pressure gauge with built-in switch for DC24V<sup>Note1</sup>
- GS1B** — 1MPa [145psi.] specification,  $\square$ 50 Pressure gauge with built-in switch for AC100V and AC200V<sup>Note1</sup>
- GS1C** — 1MPa [145psi.] specification,  $\square$ 50 Pressure gauge with built-in switch with DIN connector for DC24V<sup>Note1</sup>
- GS1D** — 1MPa [145psi.] specification,  $\square$ 50 Pressure gauge with built-in switch with DIN connector for AC100V and AC200V<sup>Note1</sup>
- GS2** — 1MPa [145psi.] specification,  $\square$ 30 Digital pressure gauge with built-in sensor (only for 900 series)<sup>Note2</sup>

Notes: 1. For the specifications, order codes, and dimensions of the pressure gauge and the pressure gauge with built-in switch, see p.172 and 183.  
 2. Be aware that **-G1B** and **-GS2** cannot be selected with a non-ion specification.

**Bowl and drain cock specification**

**CN**  $\square$  type

Code	Specification		
	Bowl specification	Air filter specification	Lubricator specification
<b>Blank</b>	Standard (Polycarbonate)	Screw type drain cock	Without drain cock
<b>C</b>		Without drain cock	Without drain cock
<b>D</b>		Screw type drain cock	Screw type drain cock
<b>E</b>		Drain cock with fitting	Without drain cock
<b>A</b>		Auto drain type drain cock	Without drain cock
<b>F</b>		Drain cock with fitting	Drain cock with fitting
<b>N</b>		Nylon	Screw type drain cock
<b>NC</b>	Without drain cock		Without drain cock
<b>ND</b>	Screw type drain cock		Screw type drain cock
<b>NE</b>	Drain cock with fitting		Without drain cock
<b>NA</b>	Auto drain type drain cock		Without drain cock
<b>NF</b>	Drain cock with fitting		Drain cock with fitting

**CY**  $\square$  type

Code	Specification	
	Bowl specification	Air filter specification
<b>Blank</b>	Standard (Polycarbonate)	Screw type drain cock
<b>C</b>		Without drain cock
<b>E</b>		Drain cock with fitting
<b>A</b>		Auto drain type drain cock
<b>N</b>	Nylon	Screw type drain cock
<b>NC</b>		Without drain cock
<b>NE</b>		Drain cock with fitting
<b>NA</b>		Auto drain type drain cock

**CZ**  $\square$  type

Code	Specification	
	Bowl specification	Mist filter specification
<b>Blank</b>	Aluminum die-casting	Screw type drain cock
<b>F1</b>		Drain cock with fitting
<b>A</b>		Auto drain type drain cock

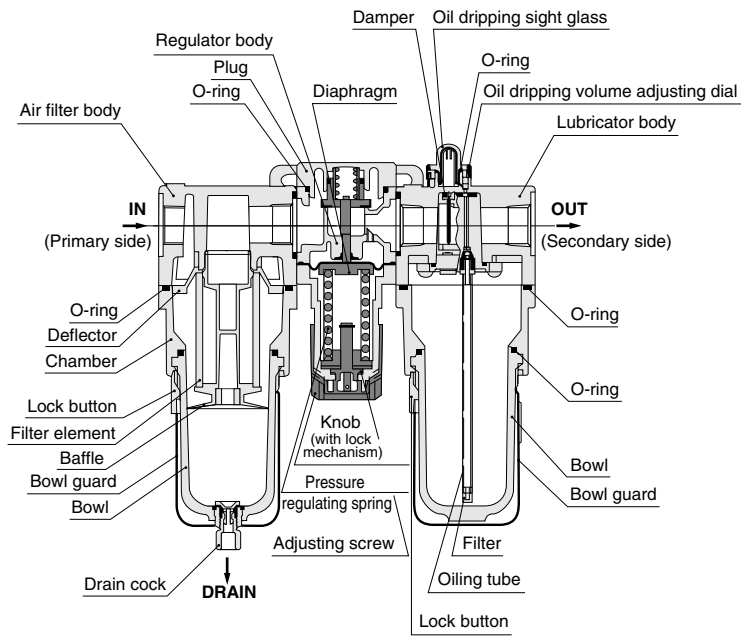
F.R.L. Large Flow combination	Port size	
Body model	Rc3/4	Rc1
CN650	06	08
CN750	06	08
CN750A	06	08
CN900	06	08
CN900A	06	08
CY650	06	08
CY900	06	08
CY900A	06	08
CZ650	06	08
CZ900	06	08

Body model	Component included				
	Air filter	Regulator	Lubricator	Mist filter	Mounting module and adapter
<b>CN650</b>	FN650	RN650	LN650	---	8-65ND
<b>CN750</b>	FN900	RN650	LN900	---	8-65ND
<b>CN750A</b> <sup>Note</sup>	FN901	RN650	LN900	---	8-65ND
<b>CN900</b>	FN900	RN900	LN900	---	8-90R
<b>CN900A</b> <sup>Note</sup>	FN901	RN900	LN900	---	8-90R
<b>CY650</b>	FN650	RN650	---	---	8-65ND
<b>CY900</b>	FN900	RN900	---	---	8-90R
<b>CY900A</b> <sup>Note</sup>	FN901	RN900	---	---	8-90R
<b>CZ650</b>	---	RN650	---	MF800	8-90ND
<b>CZ900</b>	---	RN900	---	MF800	8-90R

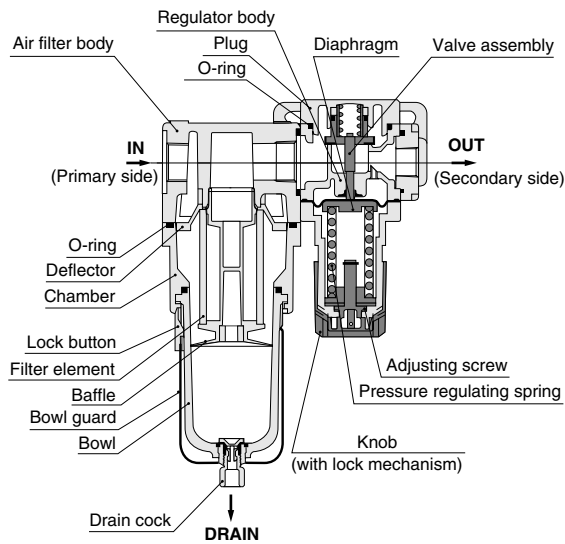
Note: **CN750A**, **CN900A** and **CY900A** filter elements are 40 $\mu$ m. All others are 5 $\mu$ m.

# Inner Construction

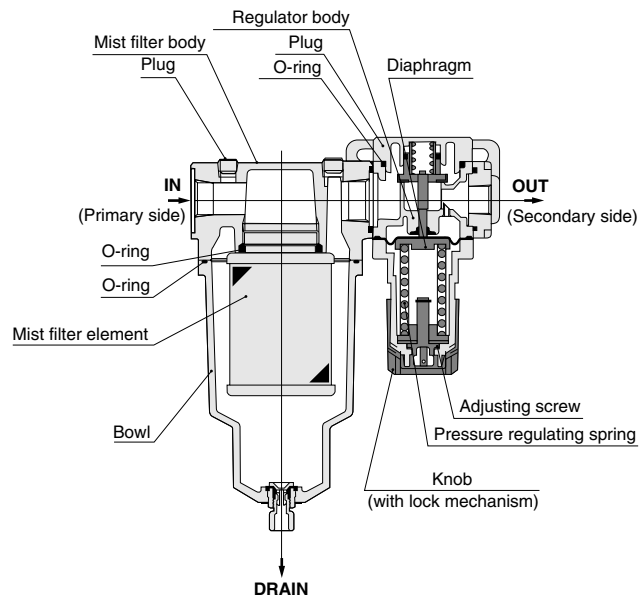
## ● CN



## ● CY

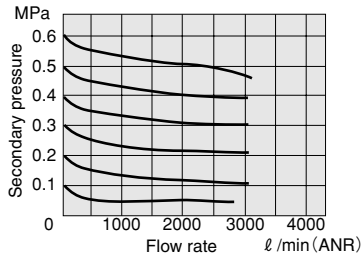


## ● CZ

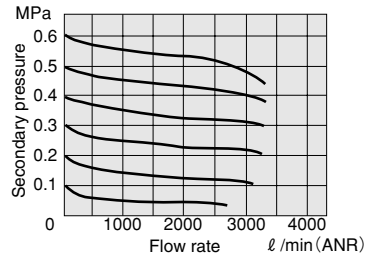


## Flow Rate Characteristics

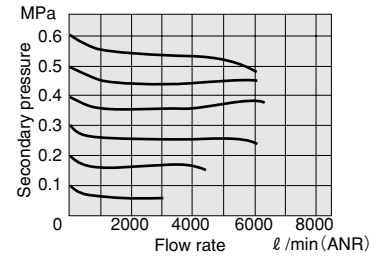
### CN650



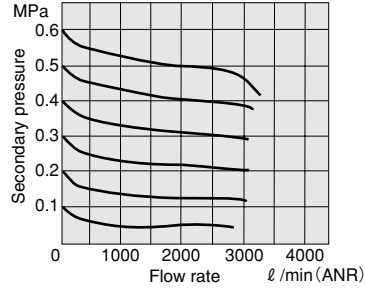
### CN750



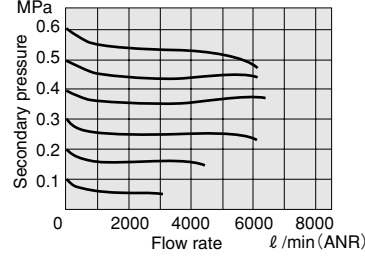
### CN900



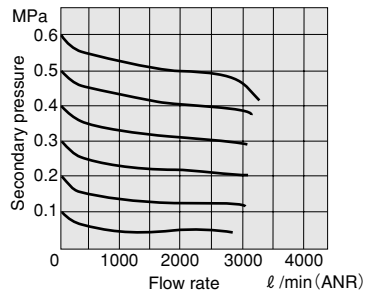
### CY650



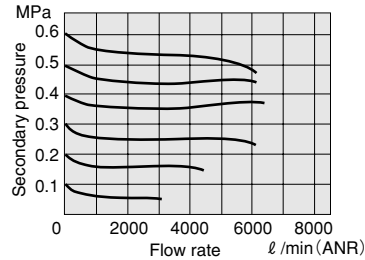
### CY900



### CZ650



### CZ900

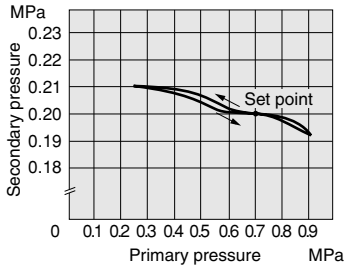


1MPa = 145psi. 1 l/min = 0.0353ft<sup>3</sup>/min.

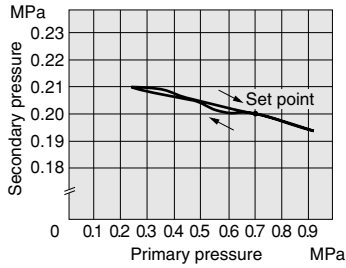
Remark: Graphs show flow rate characteristics when the primary pressure is at 0.7MPa [102psi].

## Pressure Characteristics

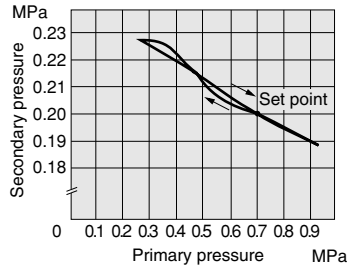
### CN650



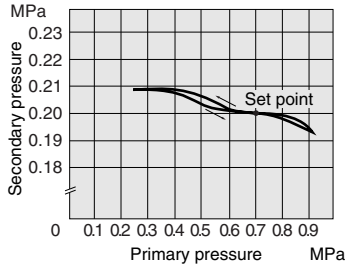
### CN750



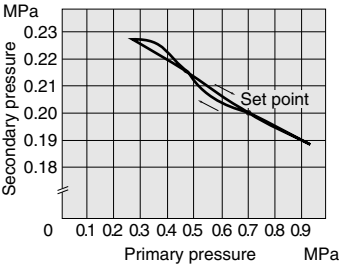
### CN900



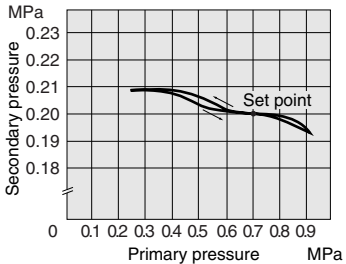
### CY650



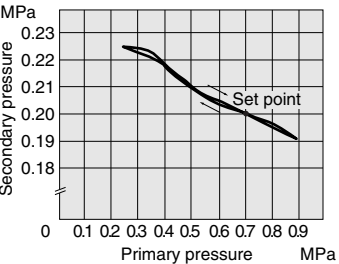
### CY900



### CZ650



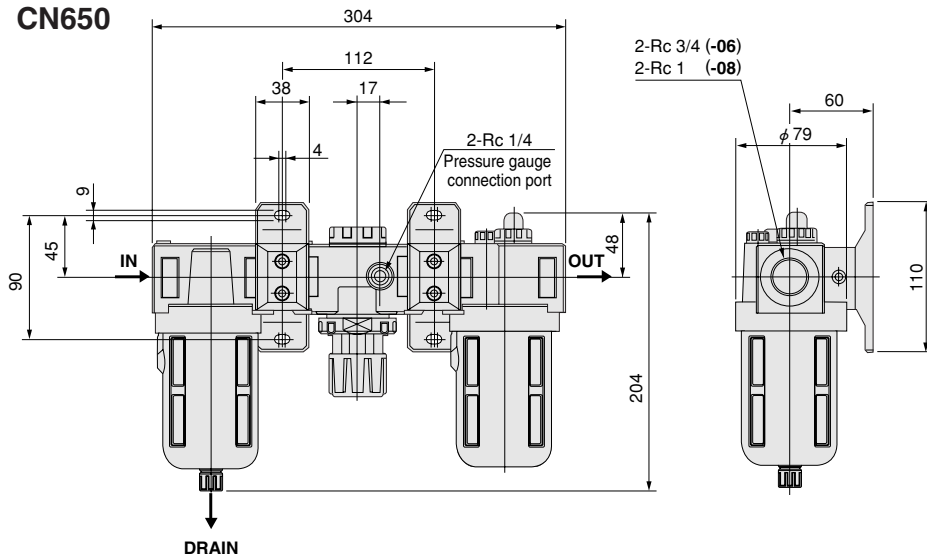
### CZ900



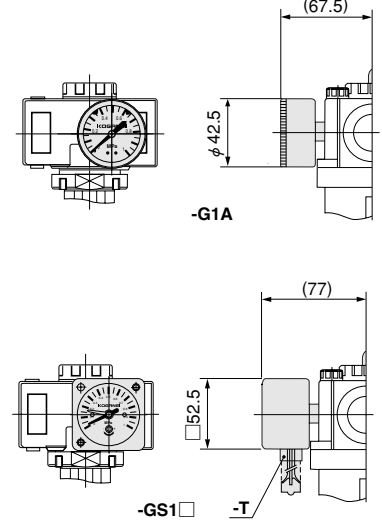
1MPa = 145psi.

# Dimensions of F.R.L. Combinations (mm)

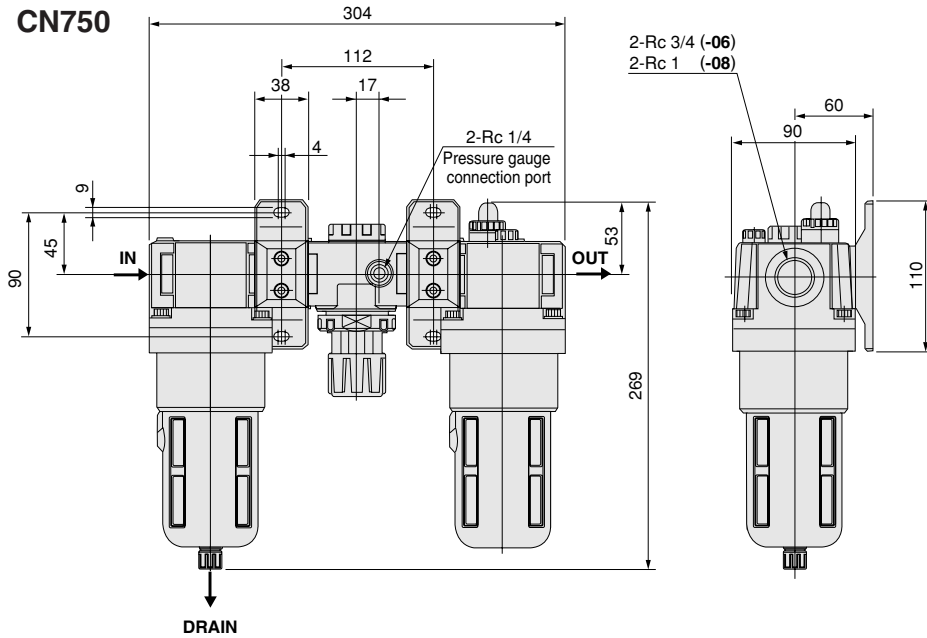
## CN650



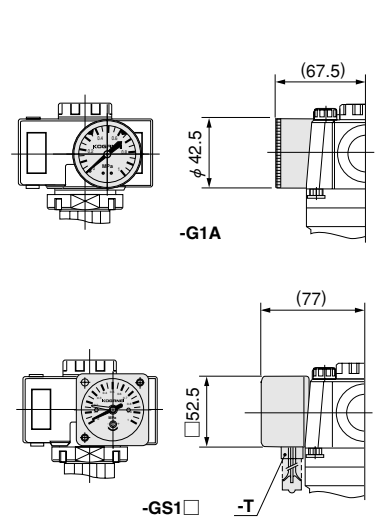
### Optional pressure gauges



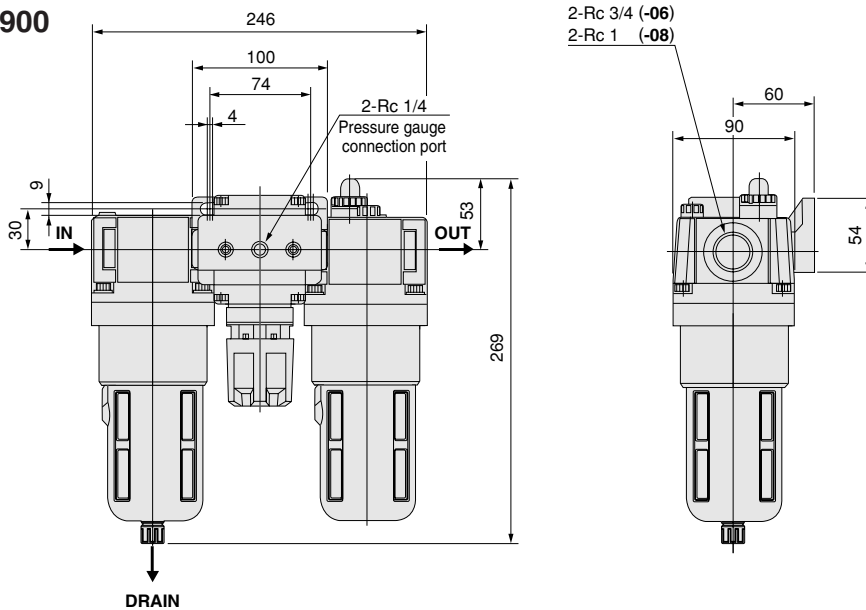
## CN750



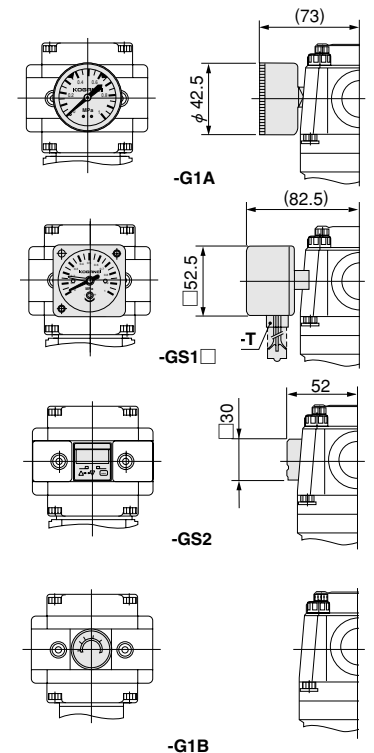
### Optional pressure gauges



## CN900

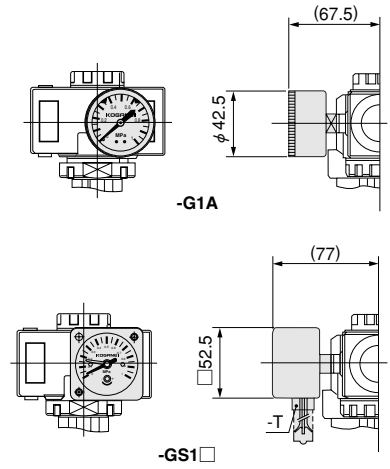
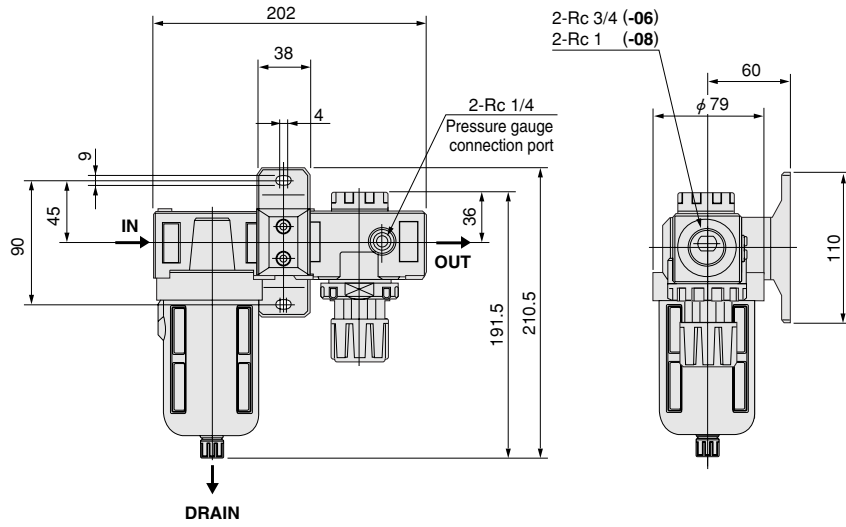


### Optional pressure gauges



# CY650

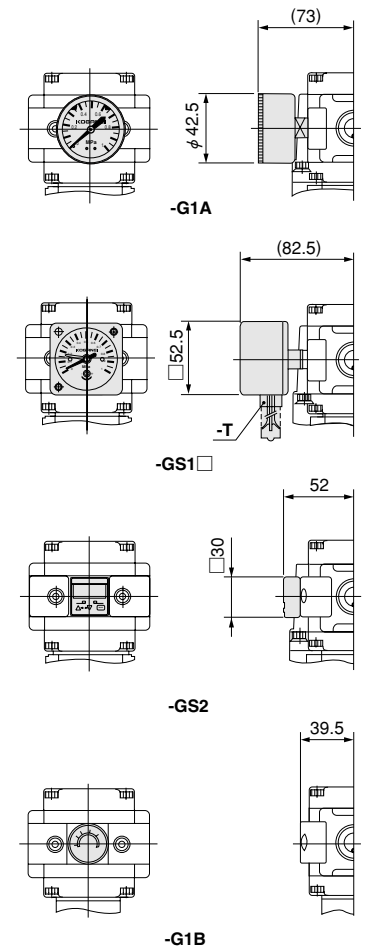
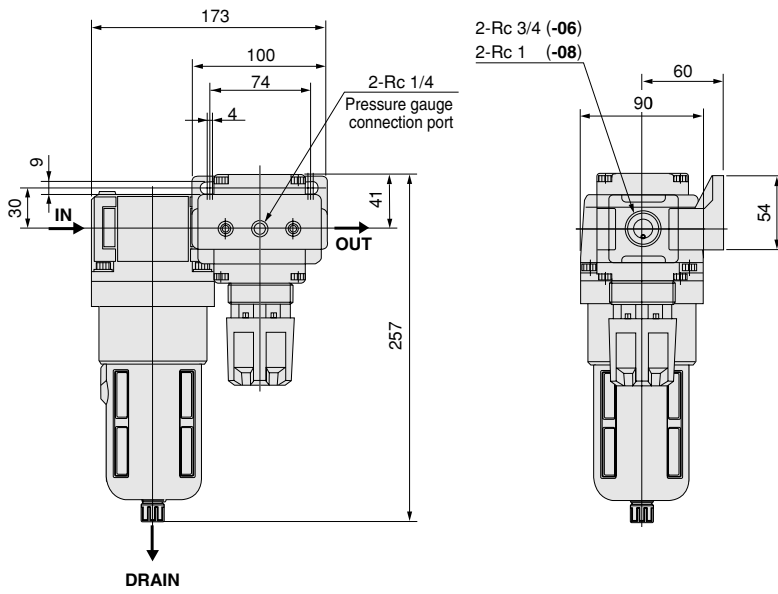
● Optional pressure gauges



F.R.L. LARGE FLOW SERIES

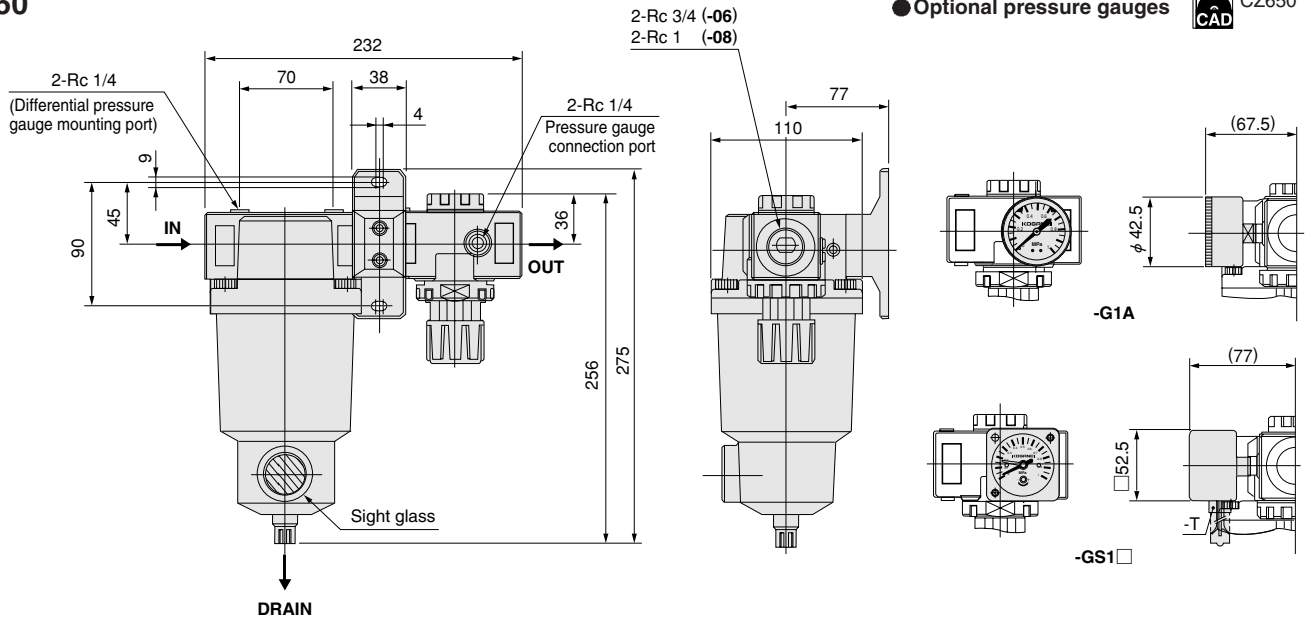
# CY900

● Optional pressure gauges

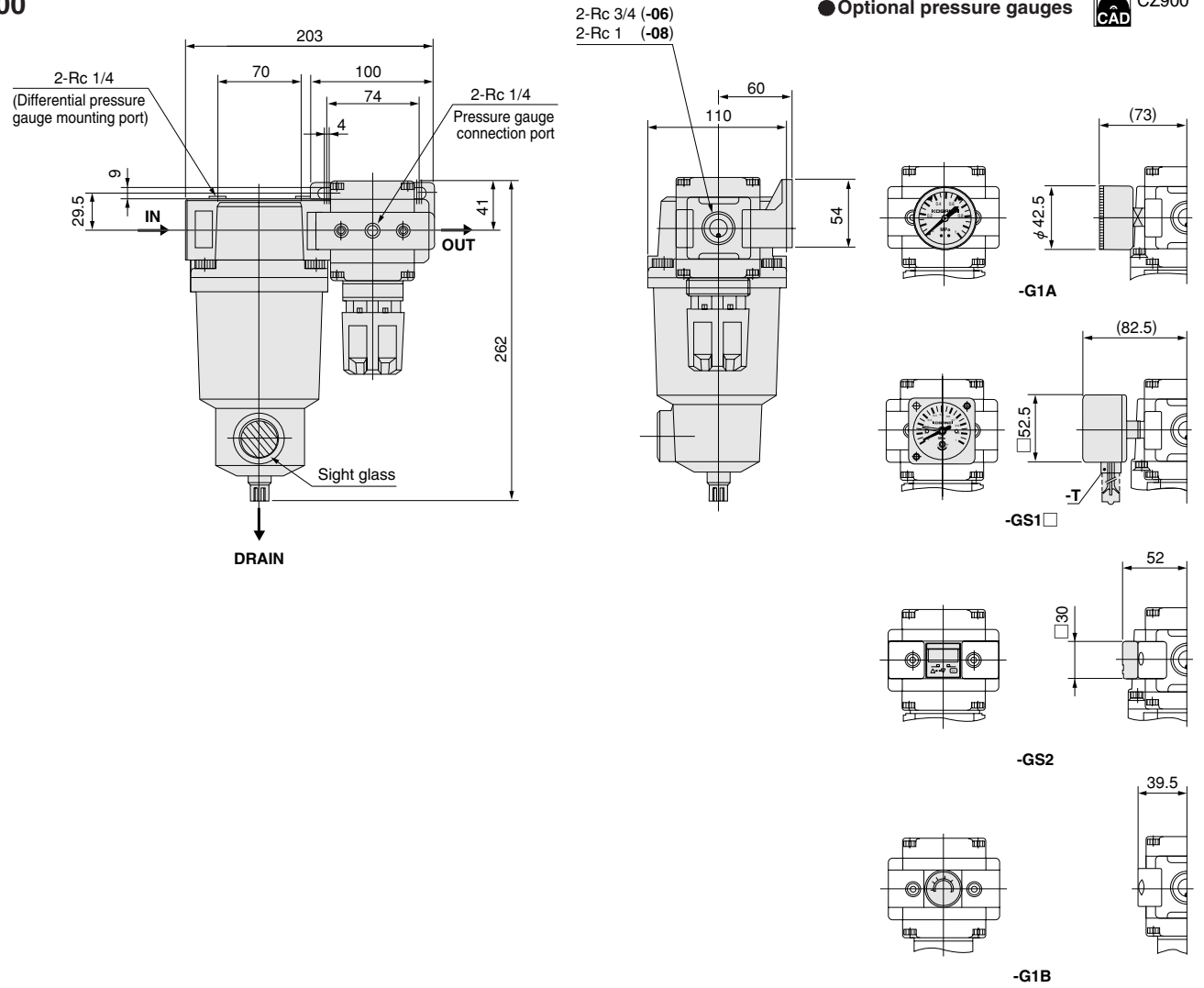


# Dimensions of F.R.L. Combinations (mm)

## CZ650



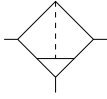
## CZ900



# AIR FILTERS

## FN650, FN900, FN901

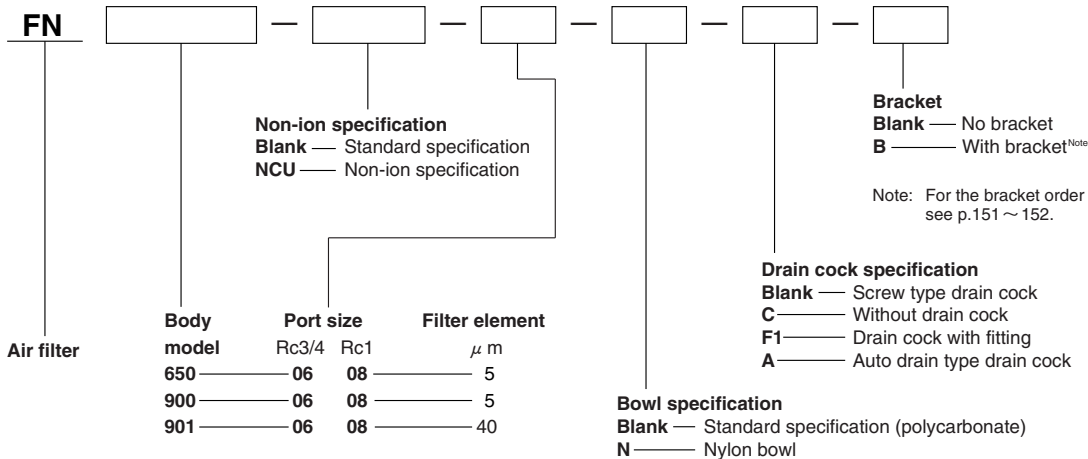
### Symbol



### Specifications

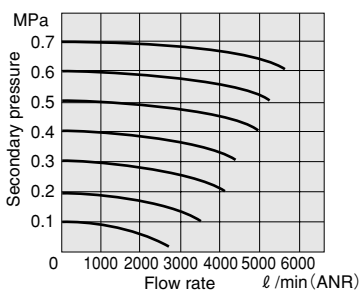
Item	Series		650 series		900 series	
	Type	Model	Standard		40 $\mu$ m type	
			FN650		FN900	
Media	Air or non-corrosive gas					
Port size	Rc	3/4, 1				
Filtration rating	$\mu$ m	5				40
Max. operating pressure	MPa [psi.]	0.97 [141]				
Proof pressure	MPa [psi.]	1.47 [213]				
Max. processed flow rate	$\ell$ /min [ft <sup>3</sup> /min] (ANR)	3000 [106]		6000 [212]		
Operating temperature range	$^{\circ}$ C [ $^{\circ}$ F]	5~60 [41~140]				
Drain capacity	cc [in. <sup>3</sup> ]	90 [5.5]		130 [7.9]		
Mass	kg [lb]	Standard	0.58 [1.28]		1.11 [2.45]	
		Auto drain type	0.61 [1.35]		1.14 [2.51]	
Materials	Body	Aluminum die-casting				
	Skirt part	—				
	Bowl	Polycarbonate				
	Element	PE		PP		
Standard attachments	Bowl guard, screw type drain cock					

### Order Codes

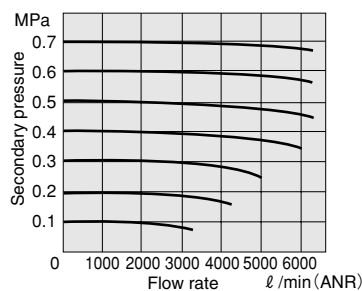


### Flow Rate Characteristics

#### FN650



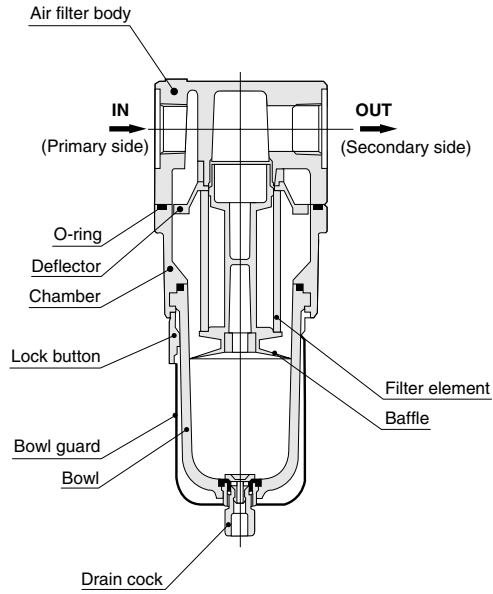
#### FN900 FN901



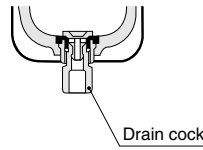
1MPa = 145psi. 1  $\ell$ /min = 0.0353ft<sup>3</sup>/min.



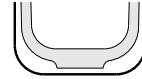
# Inner Construction



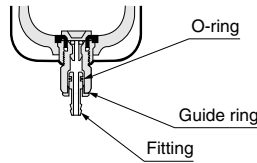
### ● Screw type drain cock



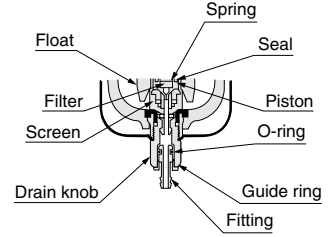
### ● Without drain cock



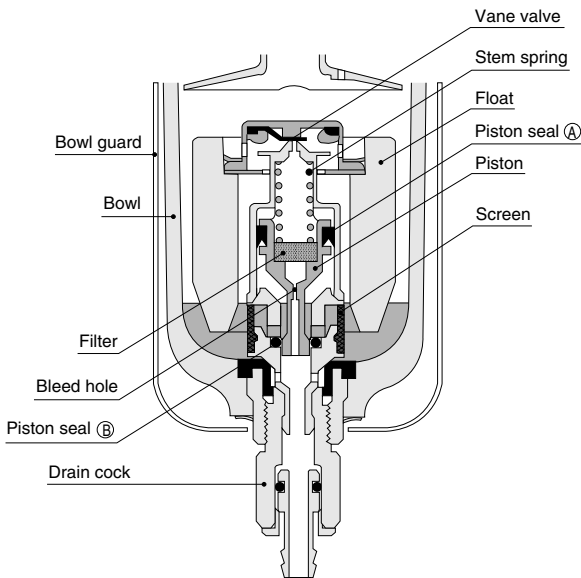
### ● Drain cock with fitting



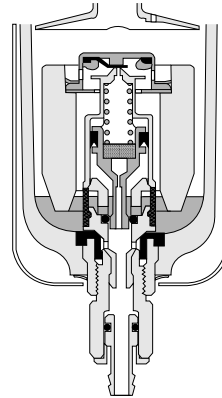
### ● Auto drain type drain cock



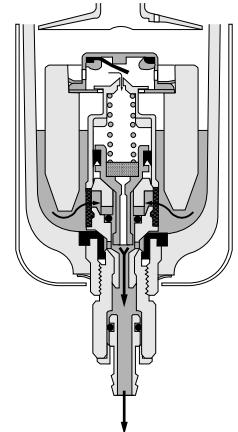
# Inner Construction of Auto Drain



### Condition of collected liquid



### Condition of draining liquid



### Operation principles

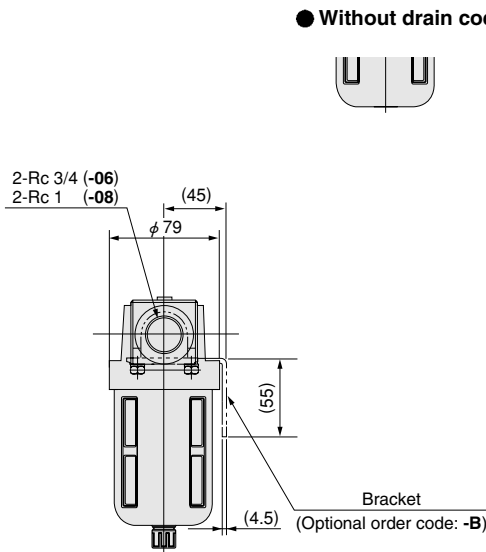
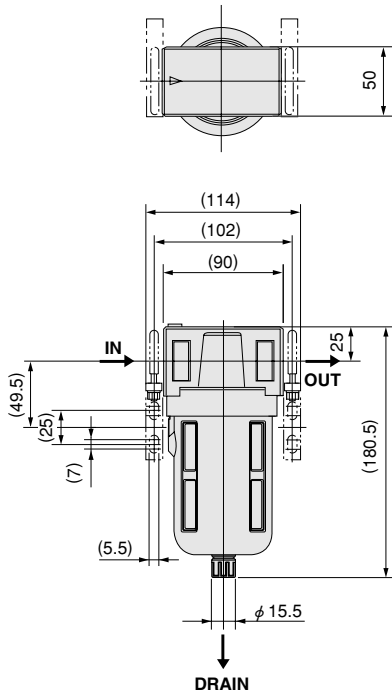
When liquid collects inside the bowl, the float rises and opens up the vane valve. Air brought to the top of the piston forces the piston downward, opening up the bottom of the piston and expelling liquid that has passed through the screen. As the liquid is drained out, the float falls, closing the vane valve. Air at the top of the piston is released through a bleed hole, and air pushes up on the piston from the bottom, returning the unit to the normal state.

If pressure inside the bowl is lost, the stem spring pushes down on the piston to drain out all of the liquid. After the liquid has been drained out, the air inside the bowl is also exhausted.

Remark: Air is exhausted from the drain port until the supply pressure rises to 0.15MPa [22psi.]. In this situation, even rotating the drain knob will not prevent the air from bleeding out.

# Dimensions of Air Filters (mm)

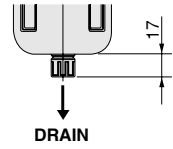
## FN650



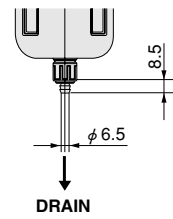
● Without drain cock



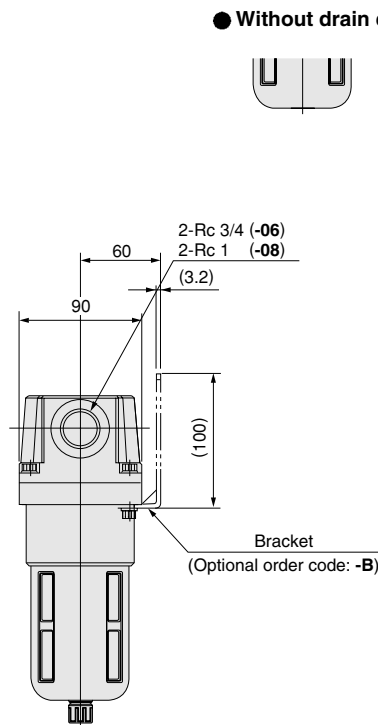
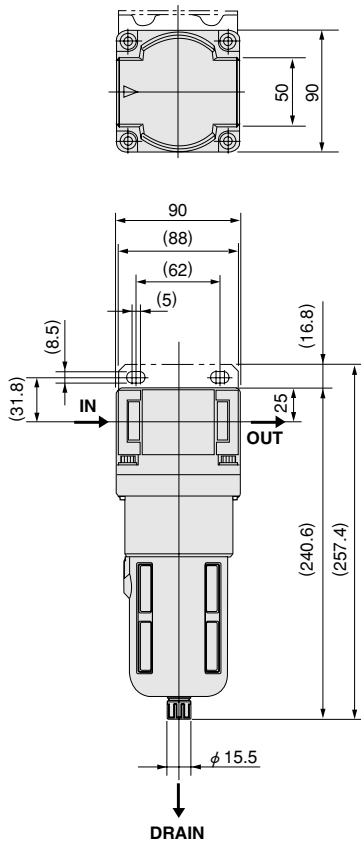
● Screw type drain cock



● Drain cock with fitting  
● Auto drain type drain cock



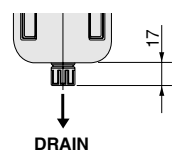
## FN900 FN901



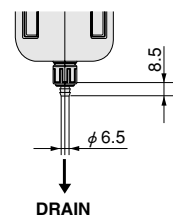
● Without drain cock



● Screw type drain cock



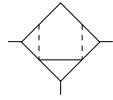
● Drain cock with fitting  
● Auto drain type drain cock



# MIST FILTERS

## MF800, MF1000

### Symbol

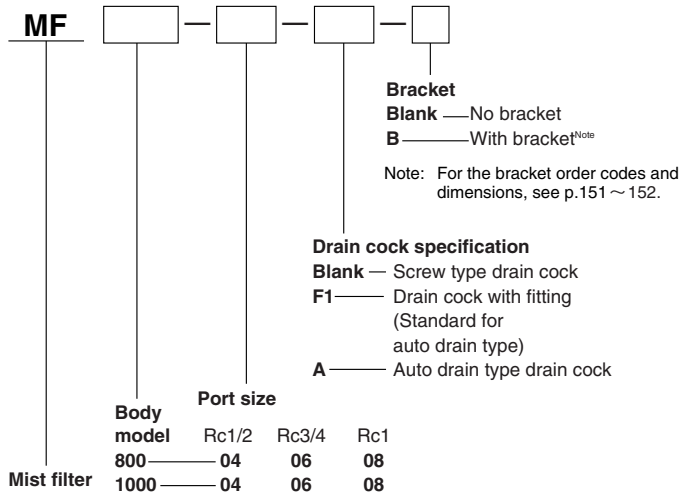


### Specifications

Item	Model	MF800	MF1000
Media		Air	
Port size	Rc	1/2, 3/4, 1	
Filtering particle diameter	$\mu\text{m}$	0.3	
Filtering efficiency	%	99.9	
Volume of processed air <sup>Note</sup>	$\ell/\text{min}$ [ft <sup>3</sup> /min] (ANR)	4000 [141]	6000 [212]
Max. operating pressure	MPa [psi.]	0.97 [141] (Auto drain type: 0.15~0.97 [22~141])	
Proof pressure	MPa [psi.]	1.47 [213]	
Operating temperature range (atmosphere and media)	$^{\circ}\text{C}$ [ $^{\circ}\text{F}$ ]	5~60 [41~140]	
Drain capacity	cc [in. <sup>3</sup> ]	160 [9.8]	
Mass	kg [lb]		
		Standard	2.10 [4.63]
		Auto drain type	2.13 [4.70]
Materials	Body, bowl	Aluminum die-casting	
	Sight glass	Reinforced glass	
	Element type	E-80M	E-100M
Standard attachments		Screw type drain cock	

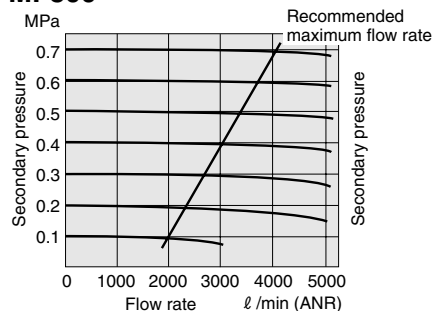
Note: This is the recommended maximum flow rate when the air pressure is 0.69MPa [100psi.].

### Order Codes

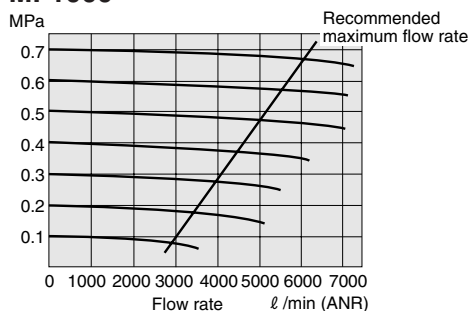


### Flow Rate Characteristics

#### MF800



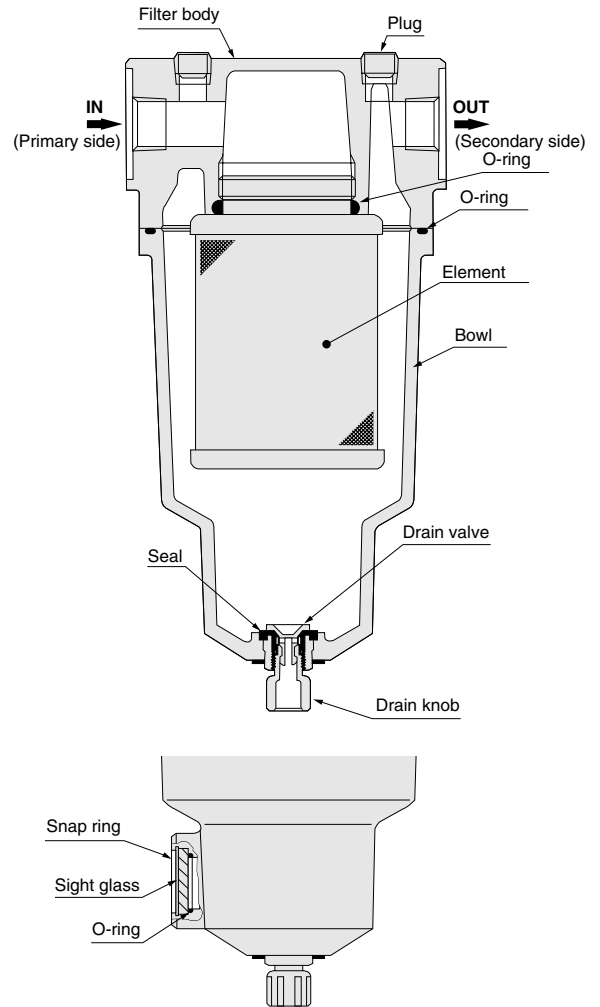
#### MF1000



1MPa = 145psi. 1 ℓ/min = 0.0353ft<sup>3</sup>/min.

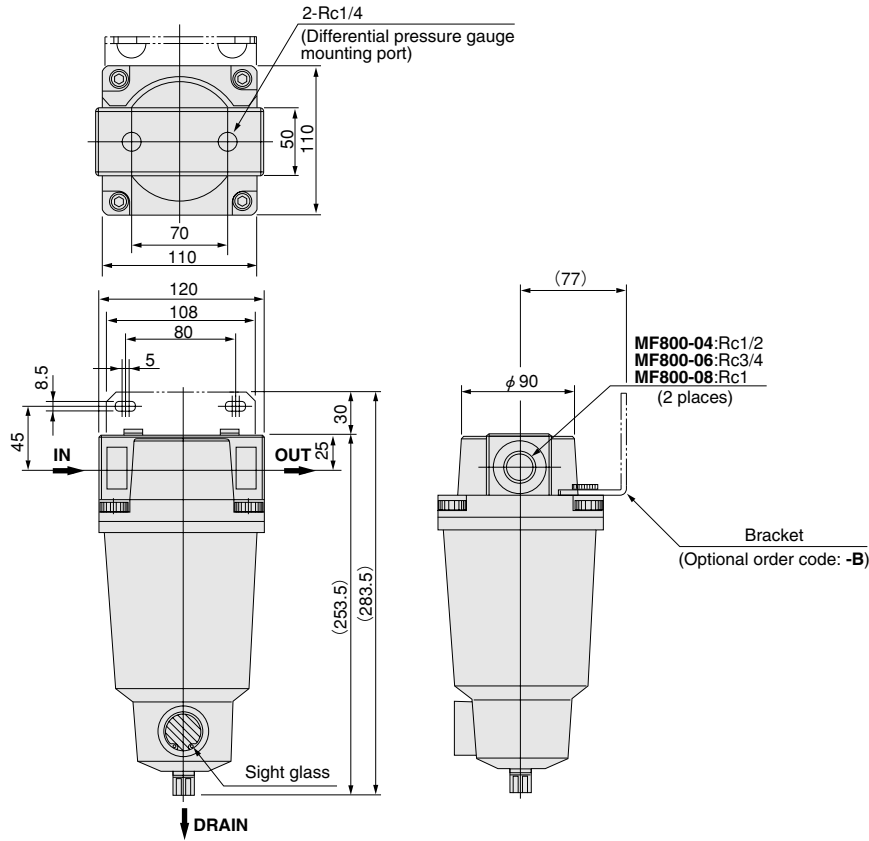


### Inner Construction

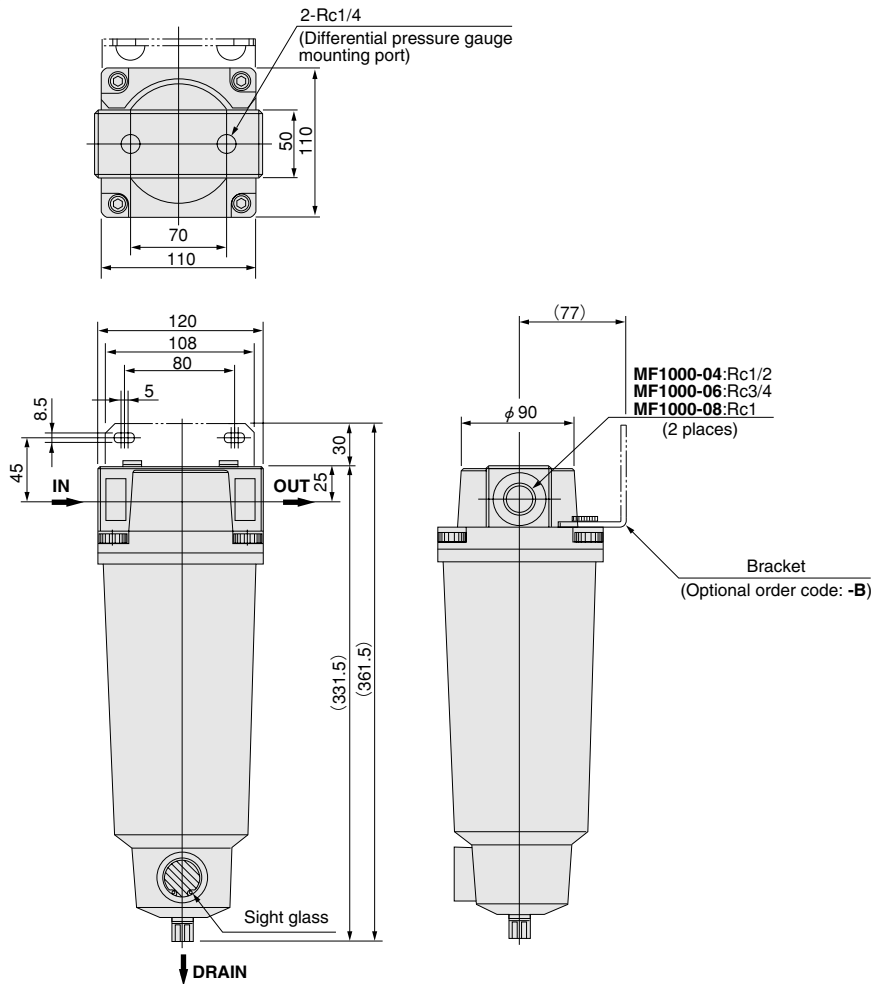
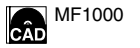


# Dimensions of Mist Filters (mm)

## MF800



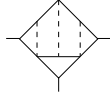
## MF1000



# MICRO MIST FILTERS

## MMF600, MMF800

### Symbol



### Specifications

Item	Model	MMF600	MMF800
Media		Air	
Port size	Rc	1/2, 3/4, 1	
Filtering particle diameter	$\mu\text{m}$	0.01	
Filtering efficiency	%	99.9	
Volume of processed air <sup>Note</sup>	$\ell/\text{min}$ [ft <sup>3</sup> /min] (ANR)	3000 [106]	5000 [177]
Max. operating pressure	MPa [psi.]	0.97 [141] (Auto drain type: 0.15~0.97 [22~141])	
Proof pressure	MPa [psi.]	1.47 [213]	
Operating temperature range (atmosphere and media)	$^{\circ}\text{C}$ [ $^{\circ}\text{F}$ ]	5~60 [41~140]	
Drain capacity	cc [in. <sup>3</sup> ]	160 [9.8]	
Mass	kg [lb]		
		Standard	2.05 [4.52]
		Auto drain type	2.08 [4.59]
Materials	Body, bowl	Aluminum die-casting	
	Sight glass	Reinforced glass	
	Element type	E-60MM	E-80MM
Standard attachments		Screw type drain cock	

Note: This is the recommended maximum flow rate when the air pressure is 0.69MPa [100psi.].

### Order Codes

**MMF**    -    -    -   

**Bracket**  
**Blank** — No bracket  
**B** — With bracket<sup>Note</sup>

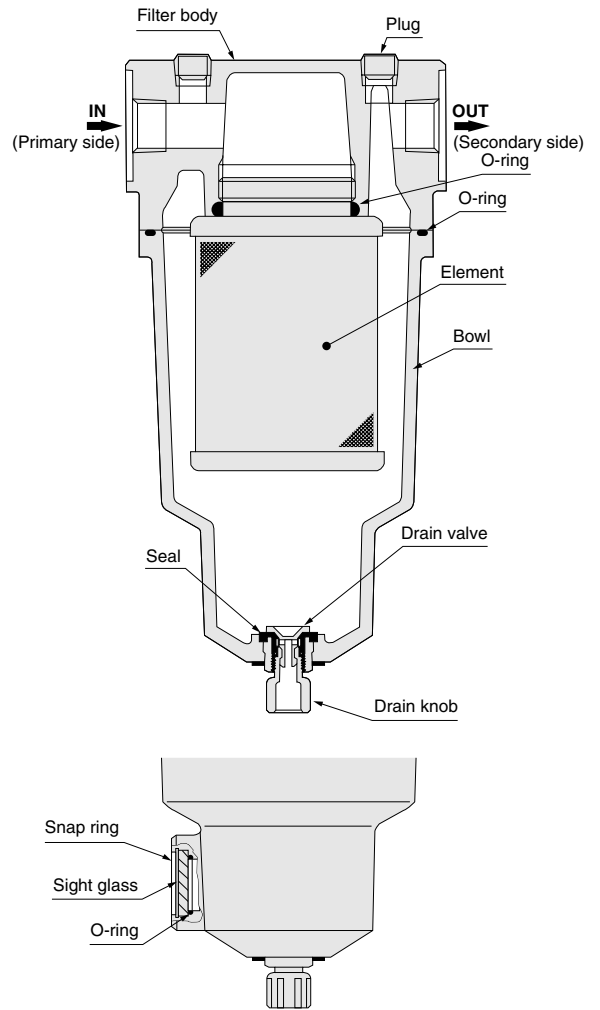
Note: For the bracket order codes and dimensions, see p.151~152.

**Drain cock specification**  
**Blank** — Screw type drain cock  
**F1** — Drain cock with fitting (Standard for auto drain type)  
**A** — Auto drain type drain cock

Body model	Port size		
	Rc1/2	Rc3/4	Rc1
600	04	06	08
800	04	06	08

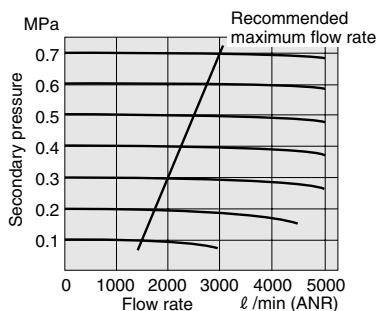
Micro mist filter

### Inner Construction

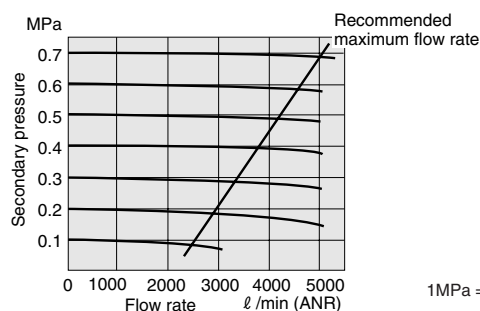


### Flow Rate Characteristics

#### MMF600



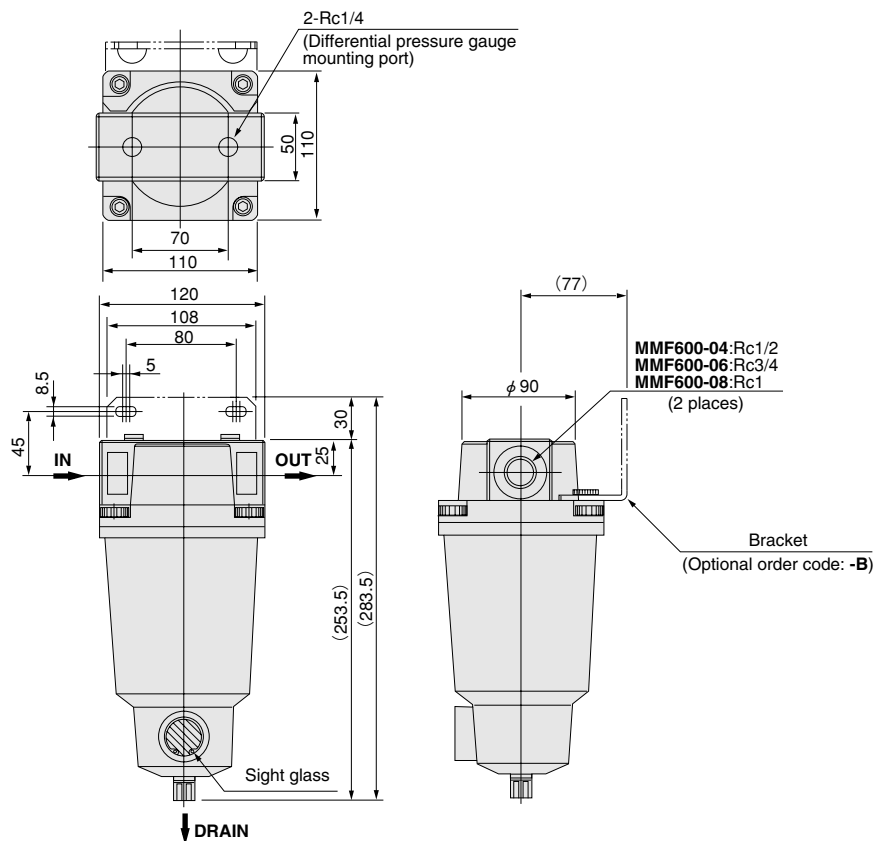
#### MMF800



1MPa = 145psi. 1ℓ/min = 0.0353ft<sup>3</sup>/min.

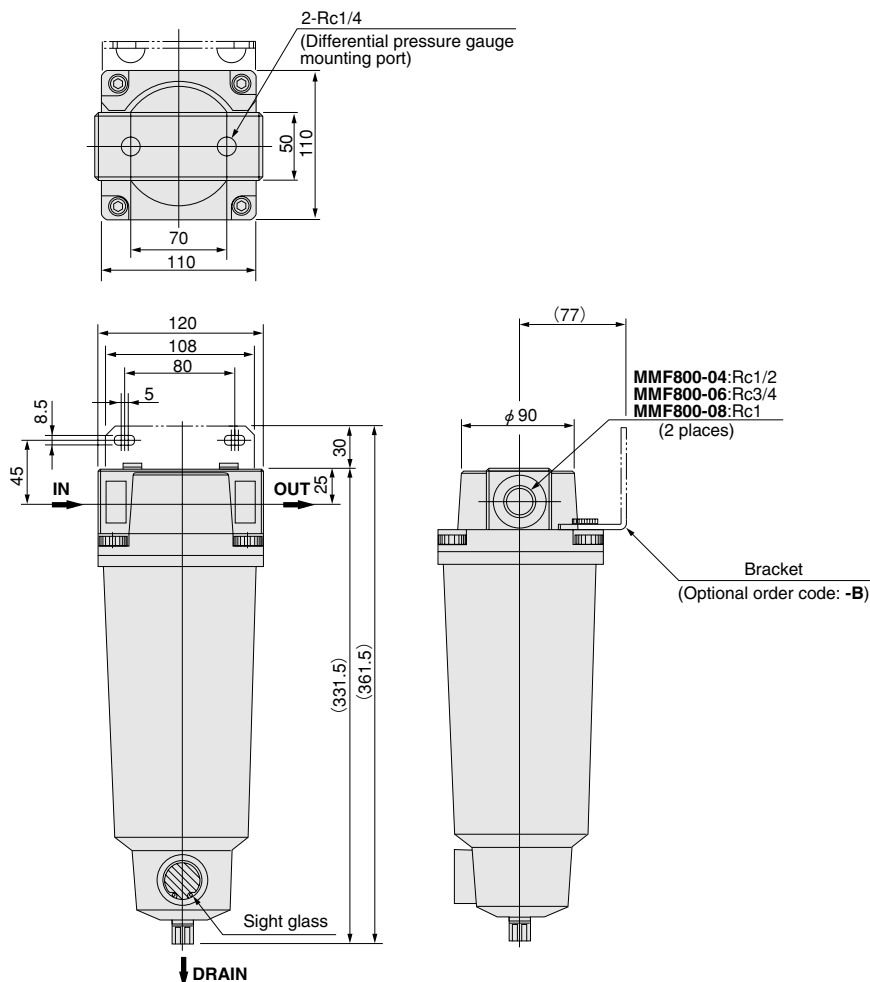
# Dimensions of Micro Mist Filters (mm)

## MMF600



F.R.L. LARGE FLOW SERIES

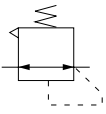
## MMF800



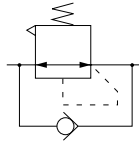
# REGULATORS

## RN650, RN651, RN652, RN900, RN902

### Symbols



- Standard specification
- Low pressure specification



- Built-in check valve specification

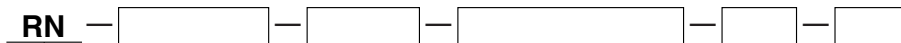


### Specifications

Item	Series		650 series			900 series	
	Type		Standard	Low pressure	Built-in check mechanism	Standard	Built-in check mechanism
	Model		RN650	RN651	RN652	RN900	RN902
Media	Air or non-corrosive gas						
Port size	Rc	3/4, 1					
Pressure setting range	MPa [psi.]	0.05 ~ 0.83 [7 ~ 120]	0.05 ~ 0.25 [7 ~ 36]			0.05 ~ 0.83 [7 ~ 120]	
Max. operating pressure	MPa [psi.]	0.97 [141]					
Proof pressure	MPa [psi.]	1.47 [213]					
Operating temperature range	°C [°F]	5 ~ 60 [41 ~ 140]					
Pressure gauge connection port	Rc	1/4 (2 places)					
Construction		Relieving type					
Max. processed flow rate <sup>Note</sup>	ℓ/min [ft <sup>3</sup> /min] (ANR)	2500 [88]	1500 [53]	2500 [88]		8000 [282]	
Lubrication		Not required					
Mass	kg [lb.]		0.53 [1.17]			1.26 [2.78]	
Materials	Body	Aluminum die-casting					
	Bonnet	Polyacetal					Aluminum die-casting
	Knob	ABS					PBT
	Diaphragm	Synthetic rubber with layer cloth					
Standard attachments	Bracket	Standard attachments					
	Mounting ring	Standard attachments					
Embedded pressure gauge	Pressure indicator range	MPa [psi.] 1 [145]					
	Max. operating pressure	MPa [psi.] 0.95 [138]					
	Operating temperature range	°C [°F] 5 ~ 60 [41 ~ 140]					
	Materials	Bourdon tube	Brass tube				
Cover (case)		PPS					
Digital pressure gauge with built-in sensor	Rated pressure range	MPa [psi.] 0 ~ 1.000 [0 ~ 145]					
	Setting pressure range	MPa [psi.] 0 ~ 1.000 [0 ~ 145]					
	Materials	Case					ABS

Note: This is the maximum processed flow rate when the air primary pressure is 0.69MPa [100psi.] and the secondary setting pressure is 0.5MPa [73psi.].

### Order Codes



**Regulator**

**Body model**

**Port size**

**Non-ion specification**

**Blank** — Standard specification

**NCU** — Non-ion specification

**650** — 06 08 — Standard specification

**900** — 06 08 — Standard specification

**651** — 06 08 — Low pressure specification

**652** — 06 08 — Built-in check mechanism specification

**902** — 06 08 — Built-in check mechanism specification

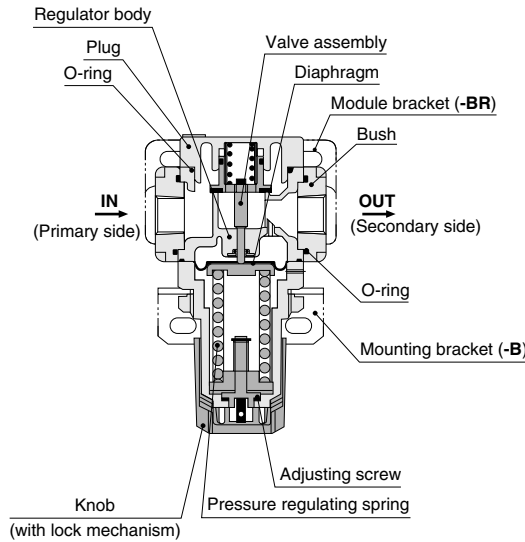
#### Bracket specification<sup>Note3</sup>

- Blank** — Mounting bracket
- BR** — Bracket module (only for 900 series)
- BM** — Module for supporting piping (only for 900 series)

#### Pressure gauge specification

- Blank** — No pressure gauge
- G1A** — 1MPa [145psi.] specification,  $\phi$  40 pressure gauge<sup>Note1</sup>
- G1B** — 1MPa [145psi.] specification,  $\square$  30 Embedded pressure gauge (only for 900 series)<sup>Note2</sup>
- G3** — 0.3MPa [44psi.] specification,  $\phi$  40 pressure gauge (only for 650 series)<sup>Note1</sup>
- GS1A** — 1MPa [145psi.] specification,  $\square$  50 Pressure gauge with built-in switch, lead wire type for DC24V<sup>Note1</sup>
- GS1B** — 1MPa [145psi.] specification,  $\square$  50 Pressure gauge with built-in switch, lead wire type for AC100V, AC200V<sup>Note1</sup>
- GS1C** — 1MPa [145psi.] specification,  $\square$  50 Pressure gauge with built-in switch, with DIN connector for DC24V<sup>Note1</sup>
- GS1D** — 1MPa [145psi.] specification,  $\square$  50 Pressure gauge with built-in switch, with DIN connector for AC100V, AC200V<sup>Note1</sup>
- GS2** — 1MPa [145psi.] specification,  $\square$  30 Digital pressure gauge with built-in sensor, (only for 900 series)<sup>Note2</sup>

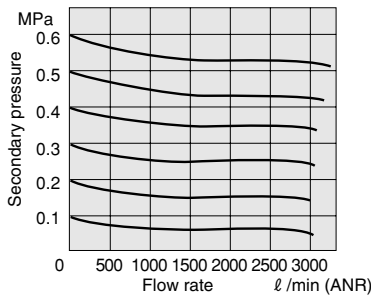
- Notes: 1. For the specifications, order codes, and dimensions of the pressure gauge and the pressure gauge with built-in switch, see p.172 and 183.
2. If a non-ion specification is selected, note that **-G1B** and **-GS2** cannot be selected.
3. For the bracket and module order codes and specifications, see p.147 ~ 152.



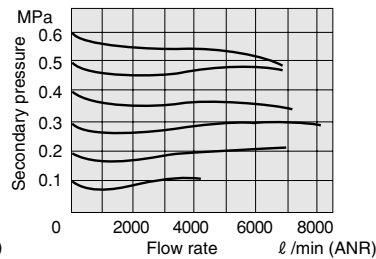
Flow Rate Characteristics

● Standard and built-in check mechanism specifications

RN650  
RN652

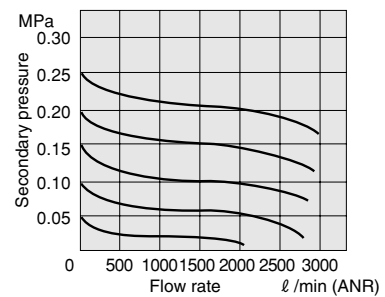


RN900  
RN902



● Low pressure specification

RN651

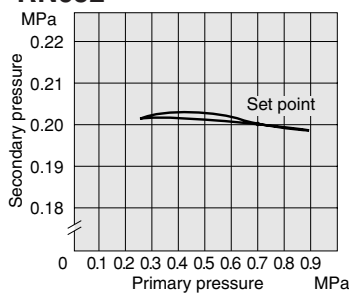


Pressure Characteristics

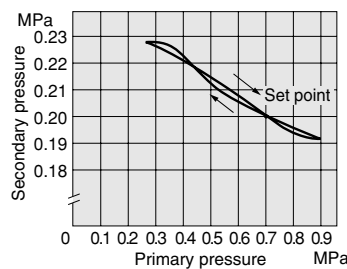
Remark: Graphs show flow rate characteristics when the primary pressure is at 0.7MPa [102psi]. 1 l/min = 0.0353ft<sup>3</sup>/min.

● Standard and built-in check mechanism specifications

RN650  
RN652

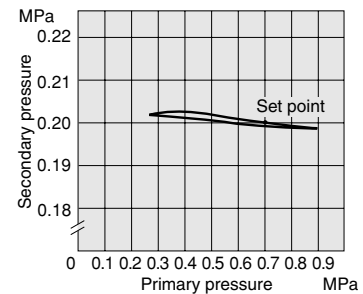


RN900  
RN902



● Low pressure specification

RN651



1MPa = 145psi.

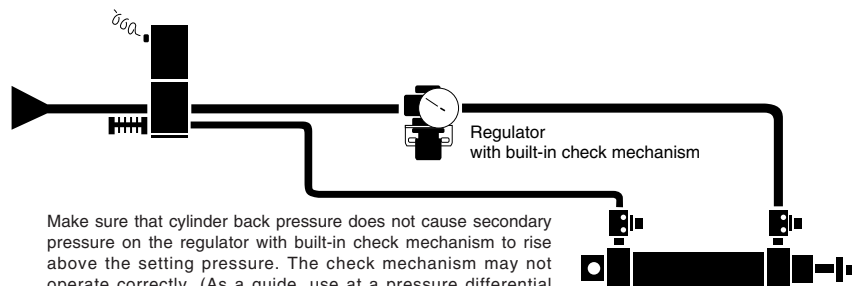
System Upgrade Using a Regulator with Built-in Check Mechanism

The regulator with built-in check mechanism is equipped with a built-in check valve that opens up when the primary pressure falls off, causing the pressure balance to collapse and simultaneously opening up the main valve to relieve the secondary pressure to the primary side.

Changing push side and pull side thrust

The thrust on an air cylinder's push side and pull side can be changed easily. Cylinders can be operated at low pressure on the side where thrust is not required, allowing reduction of air consumption.

Example: More thrust on push side, less thrust on pull side  
Push side air pressure: 0.5MPa  
Pull side air pressure: 0.3MPa



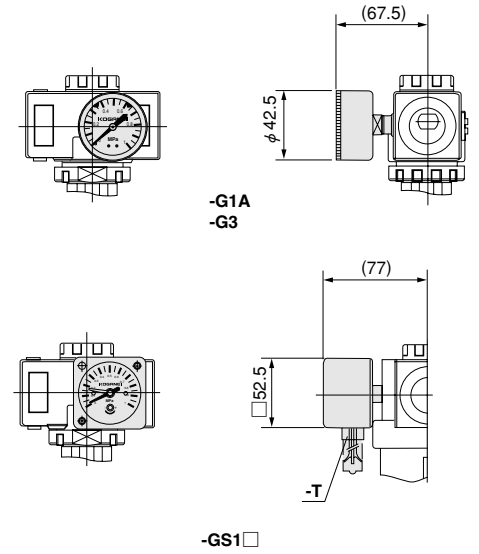
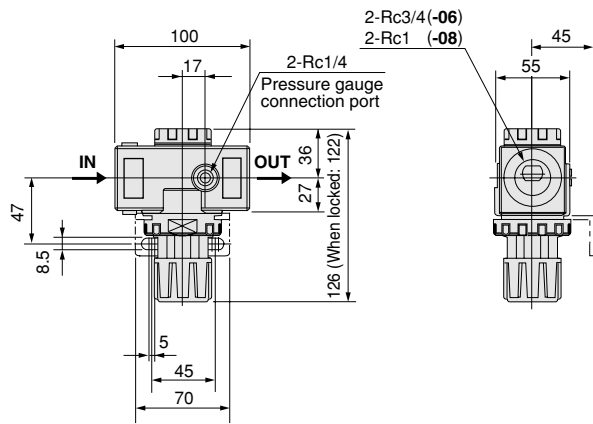
Make sure that cylinder back pressure does not cause secondary pressure on the regulator with built-in check mechanism to rise above the setting pressure. The check mechanism may not operate correctly. (As a guide, use a pressure differential between the push and pull sides of 0.3MPa or less.)



# Dimensions of Regulators (mm)

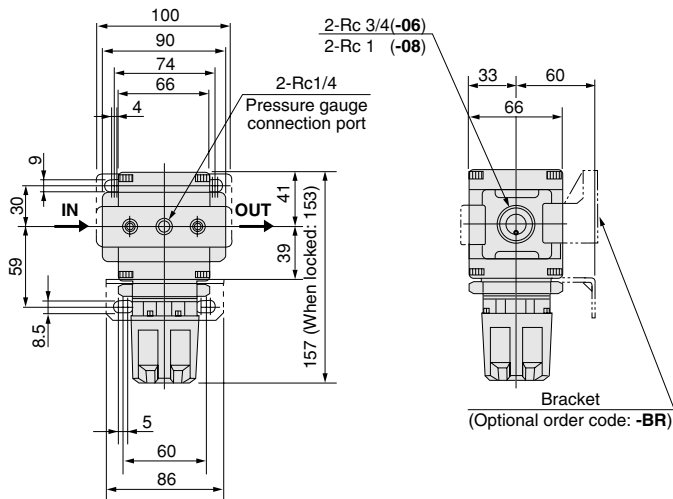
- RN650
- RN651
- RN652

● Optional pressure gauges  RN650

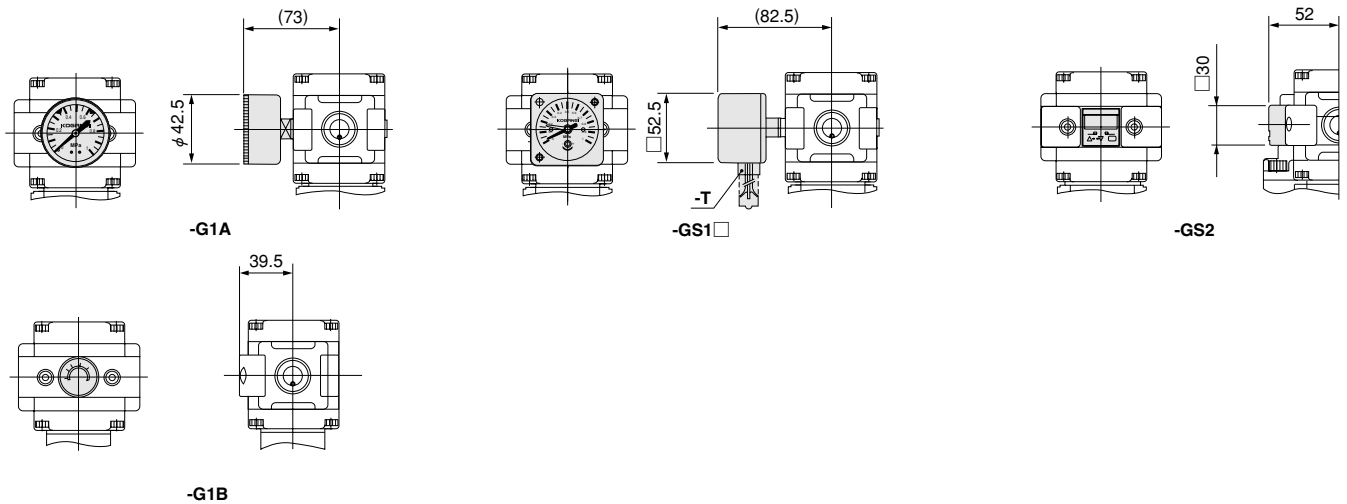


- RN900
- RN902

 RN900



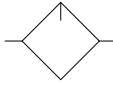
● Optional pressure gauges



# LUBRICATORS

LN650, LN651, LN900, LN901, LN902

## Symbol

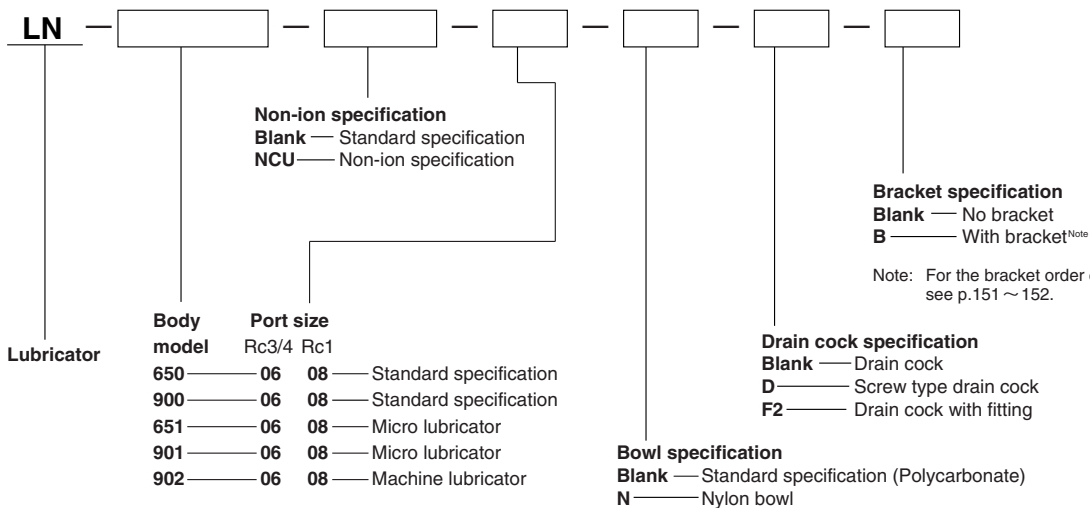


F.R.L. LARGE FLOW SERIES

## Specifications

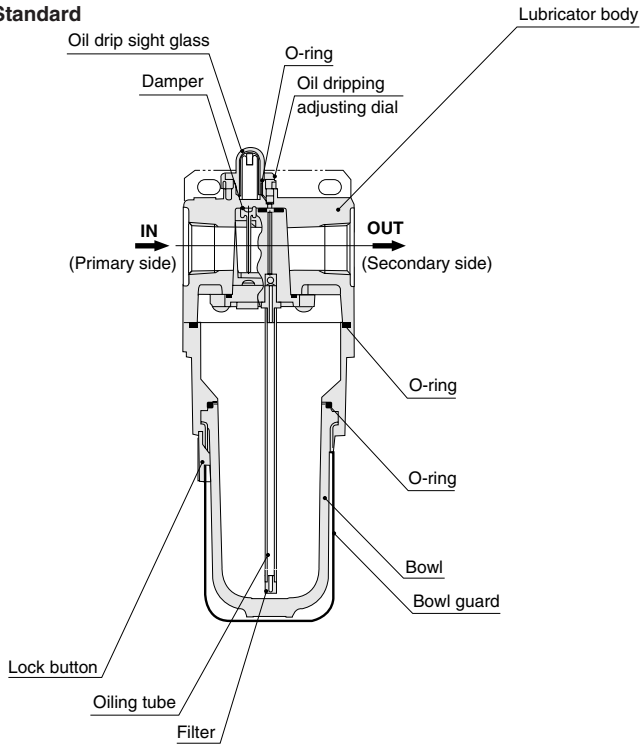
Item	Series Type Model	650 series		900 series		
		Standard	Micro lubricator	Standard	Micro lubricator	Machine lubricator
		LN650	LN651	LN900	LN901	LN902
Media		Air or non-corrosive gas				
Port size	Rc	3/4, 1				
Max. operating pressure	MPa [psi.]	0.97 [141]			0.3 [44]	
Proof pressure	MPa [psi.]	1.47 [213]				
Operating temperature range	°C [°F]	5~60 [41~140]				
Oil capacity	cc [in. <sup>3</sup> ]	160 [9.8]				
Recommended lubrication		Turbine oil Class 1 [ISO VG32]				
Lubrication method		Total lubrication	Selective lubrication	Total lubrication	Selective lubrication	Selective lubrication
Min. flow rate for dripping oil	ℓ/min [ft <sup>3</sup> /min] (ANR)	20 [0.71]	70 [2.47]	155 [5.47]	185 [6.53]	14 [0.49]
Mass	kg [lb.]	0.64 [1.4]		1.3 [2.9]		1.4 [3.1]
Materials	Body	Aluminum die-casting				
	Bowl	Polycarbonate				
	Damper	Urethane rubber				
Standard attachments		Bowl guard				

## Order Codes

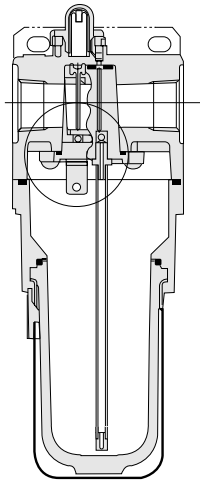


# Inner Construction

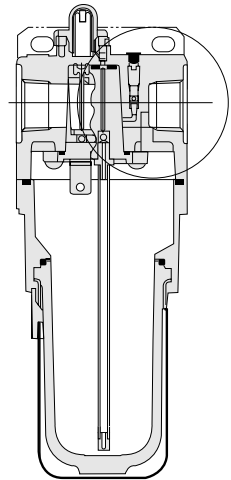
## ● Standard



## ● Micro lubricator



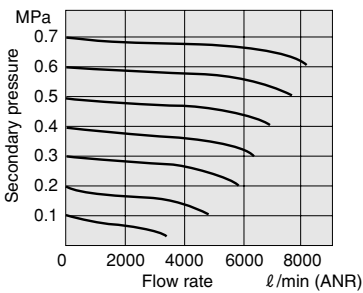
## ● Machine lubricator



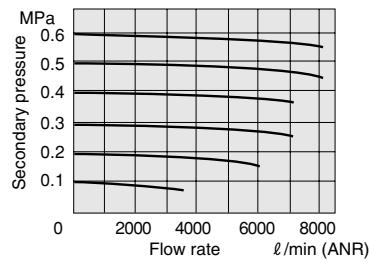
Note: Circled areas show the section that vary from the standard model.

# Flow Rate Characteristics

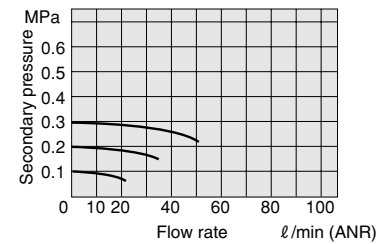
## ● LN650 ● LN651



## ● LN900 ● LN901



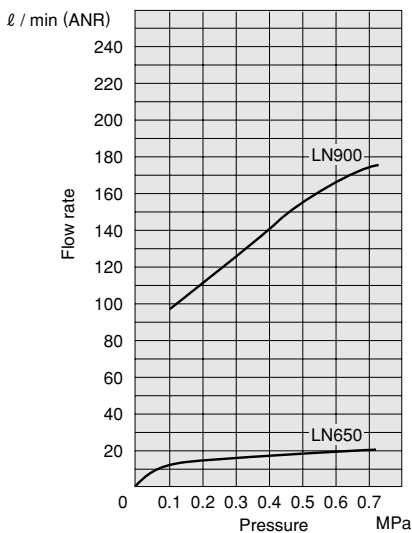
## ● LN902



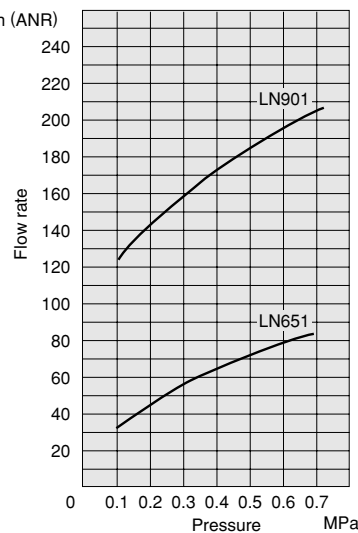
1MPa = 145psi. 1 l/min = 0.0353ft<sup>3</sup>/min.

# Minimum Flow Rate for Dripping Oil

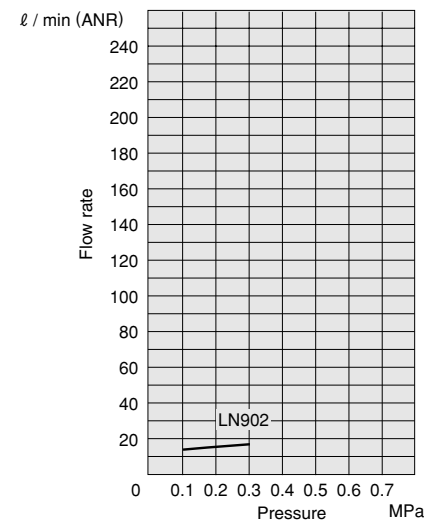
## ● Standard



## ● Micro lubricator



## ● Machine lubricator



1MPa = 145psi. 1 l/min = 0.0353ft<sup>3</sup>/min.

## Dimensions of Lubricators (mm)

- LN650
- LN651

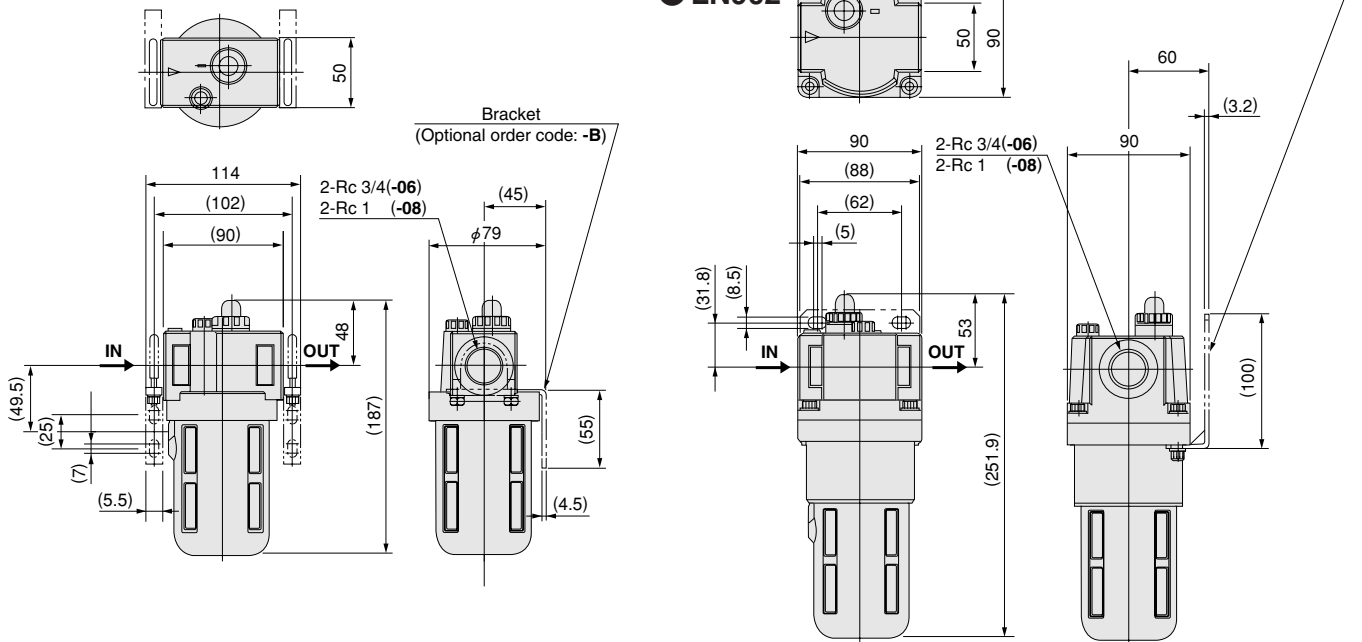


LN650

- LN900
- LN901
- LN902



LN900

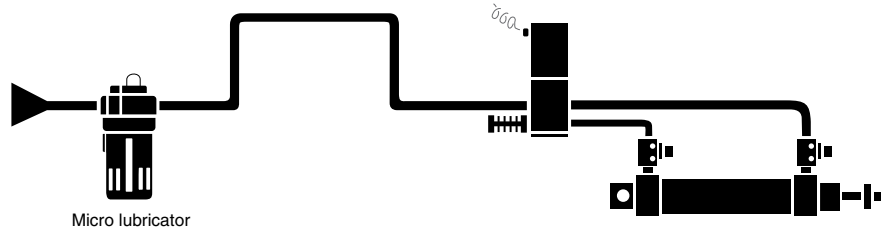


F.R.L. LARGE FLOW SERIES

## System Upgrade Using a Micro Lubricator

The Micro Lubricator uses a pipe and nozzle to generate an oil mist inside the bowl, and supplies only the most finely microscopic mist to delivery side.

The micro mist is carried easily on the air flow, to ensure faster, more assured lubrication. This method is effective even when the piping distance to the actuator is unusually far or piping is subject to complex twists and turns, or when the actuator is mounted in a high position.



## System Upgrade Using a Machine Lubricator (LN-902)

Machine lubricators are dedicated devices used in lubrication lines to supply a fine oil mist of  $2\mu\text{m}$  or less to the sliding or wearing areas of bearings, gears, chains, cams, and slide parts in all types of machine tools.

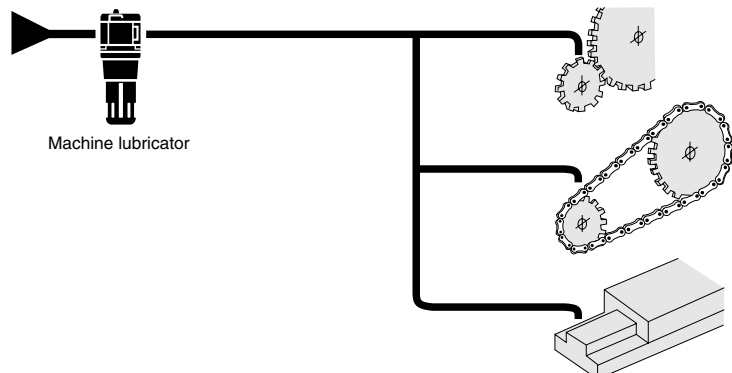
With just the right amount of oil being continuously lubricated, the system effectively cools, lubricates, and cleans the sliding and wearing areas, extending the machine's operating life.

Air is used at 0.3MPa [44psi.] and 60  $\ell/\text{min}$  [2.1ft<sup>3</sup>/min] (ANR) or less, which means that these devices cannot be directly used in pneumatic equipment that are based on air as the energy source. Because the carried oil mist is a fine, dry fog, it can easily supply oil through long piping distances to the areas requiring oil without adhering to the inner walls of the piping, a situation that ordinary lubricators cannot handle. For more effective lubrication, however, consideration should be given to the prevention of turbulence in the air lines due to installation of fittings, etc., and the piping should be installed as straight as possible.

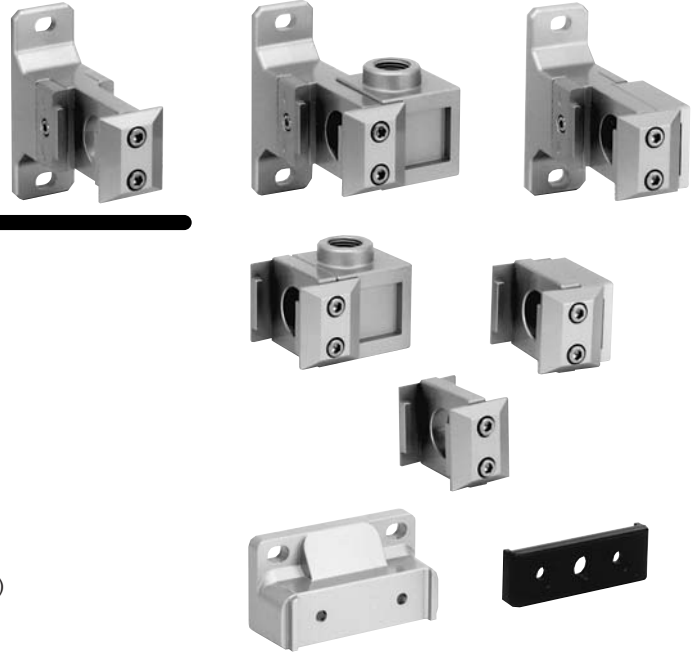
To ensure that the lubrication oil adheres to the area being required, a lubrication nozzle is needed to convert the carried oil mist (dry fog) into a wet mist that adheres more easily.

The lubrication nozzle can be built directly into the mechanical devices that directly supply oil. For machining or manufacturing, see the orifice dimensions table to the right for nozzle dimensions corresponding to the oil supply volume.

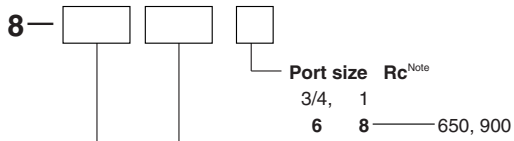
Lubrication amount cc [in <sup>3</sup> ]/H	Number of drops Drops/H	$\phi$ d	$\ell$	Nozzle dimension
0.3 [0.018]	150	0.7 [0.028]	4 [0.16]	<p>Note: Outward appearance is not limited to configuration shown here.</p>
0.6 [0.036]	300	1.0 [0.039]	6 [0.24]	
0.9 [0.055]	450	1.2 [0.047]	8 [0.31]	
2.4 [0.146]	900	1.6 [0.063]	10 [0.39]	



# MODULES AND ADAPTERS



## Order Codes



### Module and adapter









- F — F module
- ND — D module for bracket-combined use
- T — T module
- DT — T module for bracket-combined use
- R — R module (For regulator only)
- M — Piping supporting type M module (For regulator only)
- S — S adapter
- DS — S adapter module

### Body size

- 65 — For 650 series
- 90 — For 900 series

Note: Port size selection is not allowed for F module (F), D module for bracket-combined use (ND), R module (R), and piping supporting type M module (M).

## Model List

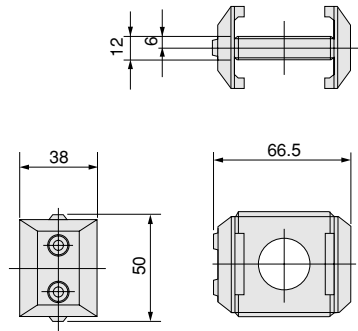
Modules and adapters	F module	D module	T module	
	F	ND	T	DT
Body size	 (For modules only)	 (Brackets for combined use)	 (Branch piping)	 (Brackets for combined use with branch piping)
65	<b>8-65F</b> ● Applicable model FN650 RN650, RN651, RN652 LN650, LN651 FN900, FN901 LN900, LN901, LN902	<b>8-65ND</b> ● Applicable model CN650, CY650, CN750 FN650 RN650, RN651, RN652 LN650, LN651 FN900, FN901, LN900, LN901, LN902	<b>8-65T</b> ● Applicable model FN650 RN650, RN651, RN652 LN650, LN651 FN900, FN901 LN900, LN901, LN902	<b>8-65DT</b> ● Applicable model FN650 RN650, RN651, RN652 LN650, LN651 FN900, FN901 LN900, LN901, LN902
90		<b>8-90ND</b> ● Applicable model CZ650 MF800, MF1000 MMF600, MMF800		<b>8-90DT</b> ● Applicable model MF800, MF1000 MMF600, MMF800
Modules and adapters	R module	M module	S adapter	
	R	M	S	DS
Body size	 (For regulator only)	 (For supporting regulator piping only)	 (Port connection)	 (Brackets for combined use with piping connection)
65	—	—	<b>8-65S</b> ● Applicable model FN650 RN650, RN651, RN652 LN650, LN651 FN900, FN901 LN900, LN901, LN902	<b>8-65DS</b> ● Applicable model FN650 RN650, RN651, RN652 LN650, LN651 FN900, FN901 LN900, LN901, LN902
90	<b>8-90R</b> ● Applicable model CN900 CY900 CZ900 RN900, RN902	<b>8-90M</b> ● Applicable model RN900, RN902		<b>8-90DS</b> ● Applicable model MF800, MF1000 MMF600, MMF800

Remark: The applicable models shown in the tables are typical examples. For details, see p.125.

## Dimensions of F Module (mm)

● 8-65F

CAD Frl\_mod

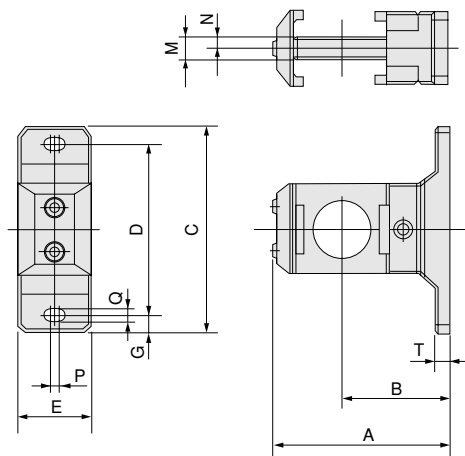


## Dimensions of D Module for Bracket-combined Use (mm)

● 8-65ND

● 8-90ND

CAD Frl\_mod

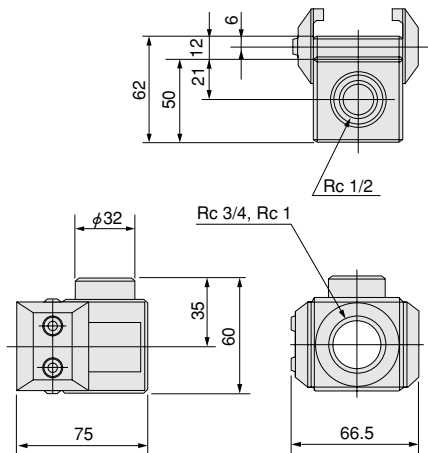


Model	A	B	C	D	E	G	M	N	P	Q	T
8-65ND	94	60	110	90	38	10	12	6	4	9	8
8-90ND	111	77	110	90	38	10	12	6	4	9	7

## Dimensions of T Module (mm)

● 8-65T

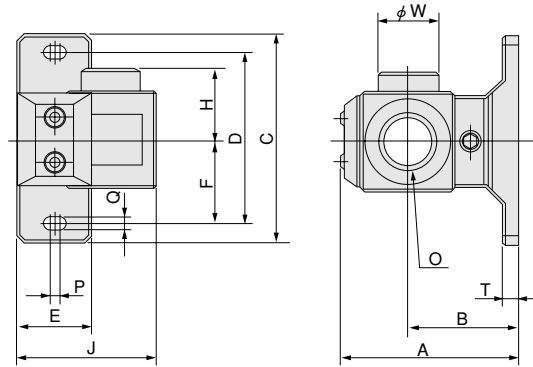
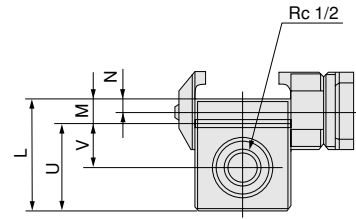
CAD Frl\_mod



## Dimensions of T Module for Bracket-combined Use (mm)

- 8-65DT
- 8-90DT

CAD FrL\_mod

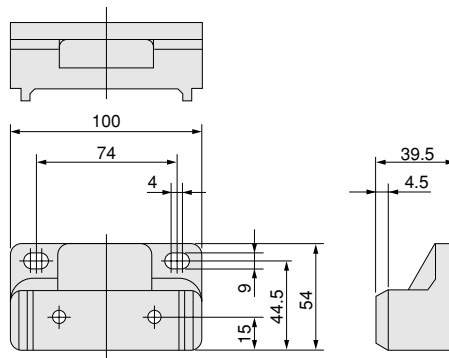


Model	A	B	C	D	E	F	H	J	L	M	N	O	P	Q	T	U	V	φ W
8-65DT	94	60	110	90	38	45	35	75	62	12	6	Rc3/4 Rc1	4	9	8	50	21	32
8-90DT	111	77	110	90	38	45	35	75	62	12	6	Rc3/4 Rc1	4	9	7	50	21	32

## Dimensions of R Module (For Regulator Only) (mm)

- 8-90R

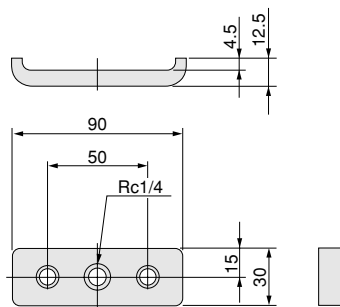
CAD FrL\_mod6



## Dimensions of Piping Supporting Type M Module (mm)

- 8-90M

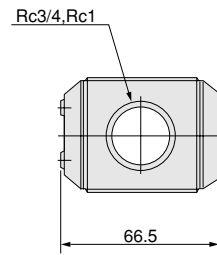
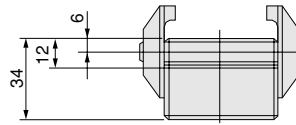
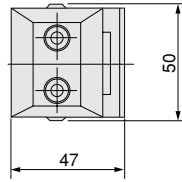
CAD FrL\_mod6



## Dimensions of S Adapter (mm)

● 8-65S

CAD FrL\_mod5

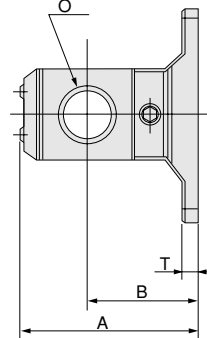
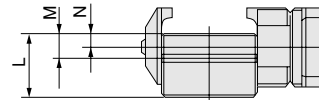
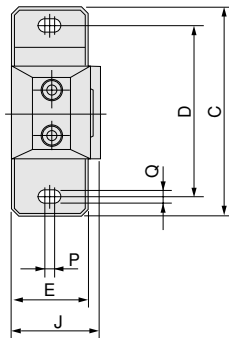


## Dimensions of S Adapter Module (mm)

● 8-65DS

● 8-90DS

CAD FrL\_mod



Model	A	B	C	D	E	J	L	M	N	O	P	Q	T
8-65DS	94	60	110	90	38	47	34	12	6	Rc3/4 Rc1	4	9	8
8-90DS	111	77	110	90	38	47	34	12	6	Rc3/4 Rc1	4	9	7



# BRACKETS



## Bracket Models and Applicable Component

Component type		Bracket model	Remark
Air filters	FN650	8-65B <sup>Note</sup>	Piping supporting type, optional
	FN900	8-90A	Body supporting type, optional
Mist filters	MF800	8-80A	Body supporting type, optional
	MF1000		
Micro mist filters	MMF600	8-80A	Body supporting type, optional
	MMF800		
Regulators	RN650	8-65	Standard
	RN900	8-90	
Lubricators	LN650	8-65B <sup>Note</sup>	Piping supporting type, optional
	LN900	8-90A	Body supporting type, optional

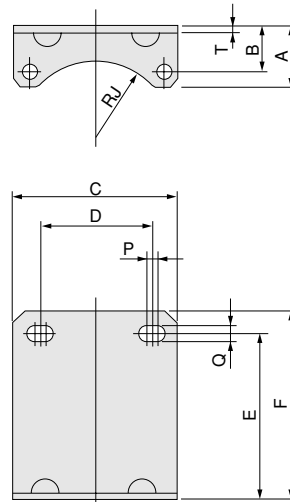
Note: Pipe supporting type brackets (8-65B) are sold in a set of two brackets.

## Dimensions of Brackets (mm)

■ For air filters, mist filters, micro mist filters, and lubricators

● 8-80A

● 8-90A



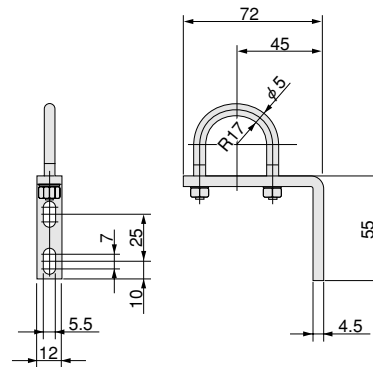
Model	A	B	C	D	E	F	RJ	P	Q	T	Applicable model
8-80A	50	32	108	80	70	80	47	5	8.5	3.2	MF800, MF1000, MMF600, MMF800
8-90A	31	23	88	62	90	100	42	5	8.5	3.2	FN900, FN901, LN900, LN901, LN902

■ For air filters and lubricators

● 8-65B<sup>Note</sup>



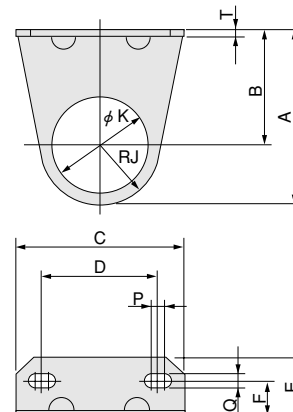
Note: Pipe supporting type brackets (8-65B) are sold in a set of two brackets.



■ For regulators

● 8-65

● 8-90



Model	A	B	C	D	E	F	RJ	φ K	P	Q	T	Applicable model
8-65	72.5	45	70	45	30	20	27.5	45	5	8.5	3.2	RN650, RN651, RN652
8-90	91	60	86	60	30	20	31	52.5	5	8.5	3.2	RN900, RN902

# Handling Instructions and Precautions



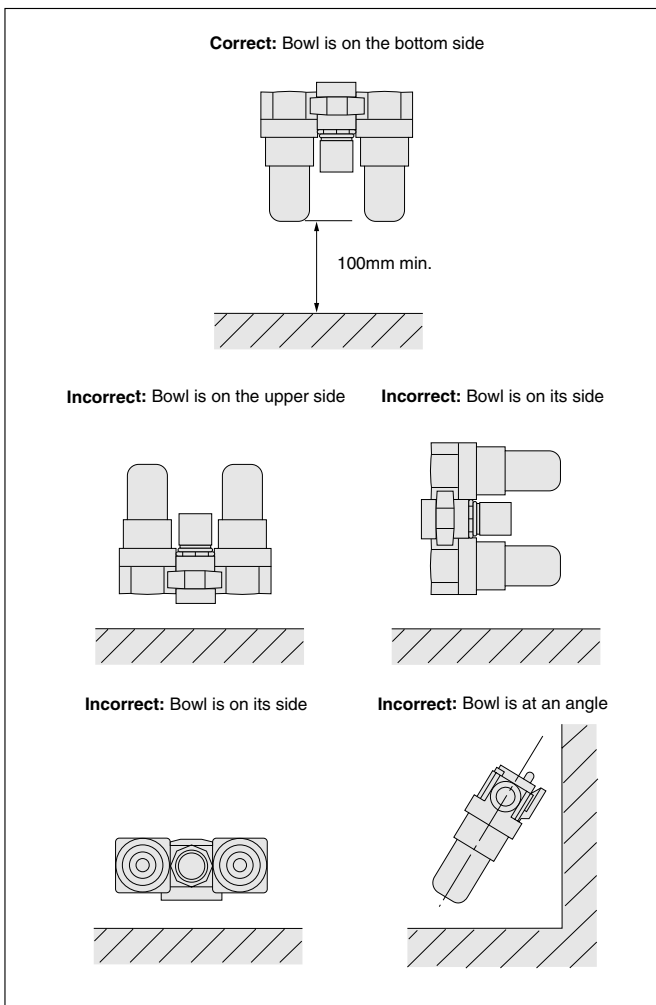
## F.R.L. Combinations

### Installation location

1. Install in locations where the ambient temperature is between 5~60°C [41~140°F].
2. The product cannot be used when the media or the ambient atmosphere contains any of the substances listed below.  
Organic solvents, phosphate ester type hydraulic oil, sulphur dioxide, chlorine gas, acids, or alkali, etc.
3. Avoid installation in locations subject to vibrations greater than 9.8m/s<sup>2</sup> [1G].

### Mounting method

Mount in a vertical position, with the piping connections on the top and the bowl on the bottom.  
(If using regulators as single units, any mounting direction is acceptable.)  
Leave enough space underneath the bowl to allow easy access for draining collected liquid, and replacement of the filter element.



- Notes:
1. Do not perform any machining on the body of the unit before or during mounting work. Its functions could be damaged.
  2. Use air for the media.
  3. Do not allow operating pressure to exceed a maximum of 0.97MPa [141psi].
  4. If using in locations subject to dripping water, dripping oil, etc., or to large amounts of dust, use something to cover and protect the unit.



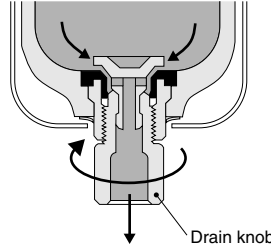
## Air Filter and Lubricator

### Drain cock

#### ● Screw type

(Air filter Standard Order code: -A)  
(Lubricator Order code: -D)

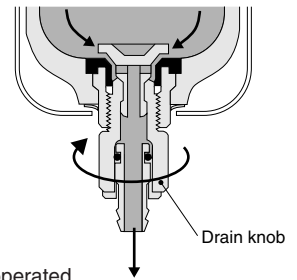
Rotating the drain knob to the left opens the drain port, and the collected liquid is expelled.



#### ● With fitting

(Air filter Order code: -F1)  
(Lubricator Order code: -F2)

Rotating the drain knob to the left opens the drain port, and the collected liquid is expelled.

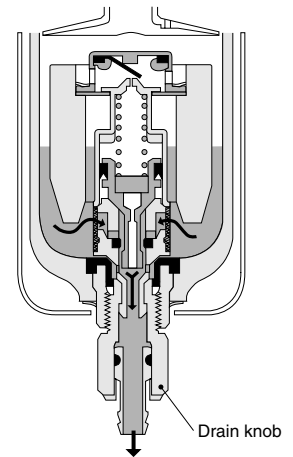


**Caution:** The drain knob should be operated using fingertips.

#### ● Auto drain type

(Air filter Order code: -A)

When a certain volume of collected liquid has accumulated, or when the pressure inside the bowl has fallen to less than 0.02MPa [3psi.], the collected liquid is automatically expelled. The collected liquid may also be expelled manually by turning the drain knob to the left.



1. In the auto drain, air is exhausted from the drain port until the supply pressure reaches 0.15MPa [22psi.]. This is normal, and even rotating the drain knob in this situation will not prevent the air from bleeding out.  
(If the time required for the supply pressure to rise to 0.15MPa [22psi.] seems too long, consult us.)
2. The drain knob should be operated using fingertips.
3. If attaching a tube to the fitting, use a nylon tube with inner diameter of 6mm [0.236in.]. Do not let the tube bend in the area near the fitting connection.
4. The fitting can be rotated freely in any direction. As a result, the tube does not need to be removed even when manually draining the collected liquid.

When placing orders for replacement of pressure gauges, see the table below.

Model	Optional order code	Sold separately	Module sold separately
650 750	G1A	G1-40	—
	GS1A	GS1-50-DL	
	GS1B	GS1-50-AL	
	GS1C	GS1-50-DL-T	
900	GS1D	GS1-50-AL-T	8-90M (with bolt)
	G1A	G1-40	
	GS1A	GS1-50-DL	
	GS1B	GS1-50-AL	
	GS1C	GS1-50-DL-T	
	GS1D	GSS1-50-AL-T	

Remark: If switching between G1A and GS1□, module (8-90M) is not required.