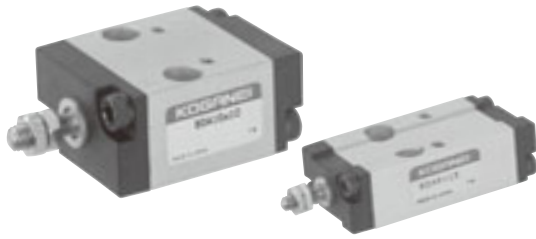




CAD drawing data catalog
is available.



KOGANEI

ACTUATORS GENERAL CATALOG

MULTI MOUNT CYLINDERS

MULTI MOUNT CYLINDERS CONTENTS

Basic Type and Configuration	95
Standard Cylinders	
Specifications	97
Order Codes	99
Inner Construction and Major Parts	100
Dimensions of Double Acting Type	101
Dimensions of Single Acting Push Type	104
Dimensions of Single Acting Pull Type	107
Dimensions of Double Acting Double Rod Type	110
Non-rotating Cylinders	
Specifications	113
Order Codes	115
Inner Construction and Major Parts	116
Dimensions of Non-rotating Double Acting Type	117
Dimensions of Non-rotating Single Acting Push Type	119
Dimensions of Non-rotating Single Acting Pull Type	121
Dimensions of Non-rotating Double Acting Double Rod Type	123
Mounting Brackets	125
Sensor Switches	126
Handling Instructions and Precautions	129



Caution

Before use, be sure to read the "Safety Precautions" on p. 57.

Multi functional support for small movements, MULTI MOUNT CYLINDERS

In addition to the directly installed side mounting type, 3 types of mounting brackets provide appropriate responses for various mounting requirements.

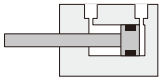

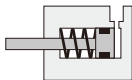

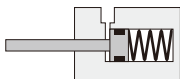

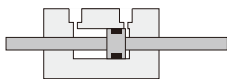

Moreover, this is a design that secures a high degree of parallel and perpendicular accuracy in relation to the piston rod axial center and mounting surface in any mounting type.

This combination of a square and compact body with mounting brackets has further broadened the degree of freedom for equipment design.

- Even while preserving the basic design of previous types, we have made overall improvements through the addition of a built-in rubber bumper and other changes.
We have not only expanded the series but have also boosted reliability and utility.
- Even the non-rotating type is now available in the double acting type, the single acting push/pull types, and the double acting double rod type, to respond to diversified needs with high non-rotating precision by the guide pin.
- Although the 3 types of sensor switches are all compact with cross section dimensions of $\square 4\text{mm}$ [0.157in.], mounting to the cylinder and adjusting the position are easy.
Comes with a movement indicator lamp that makes it possible to monitor movement from 4 directions, providing multi functional support for small movements.

Basic Type and Configuration

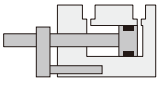

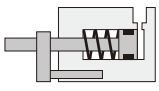

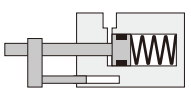
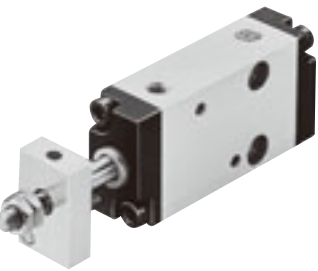
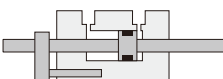

Page where specifications are shown — 97

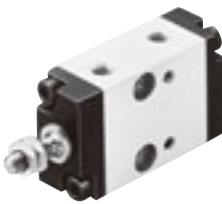
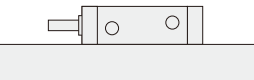
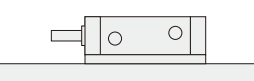
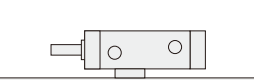

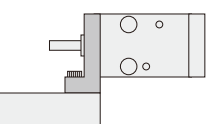
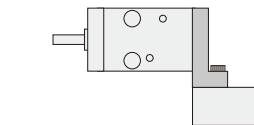
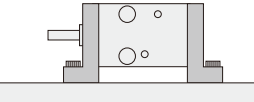

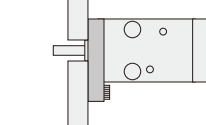
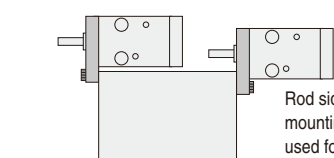
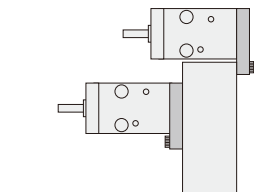
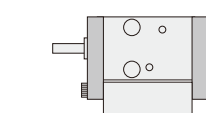

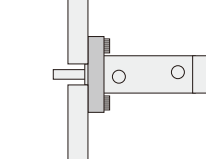
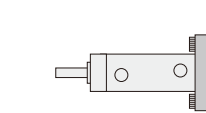
Double acting type BDA	
	
Single acting push type BSA	
	
Single acting pull type BTA	
	
Double acting double rod type BDAD	
	

Mounting Bracket Configuration and Application:

For the order codes of mounting brackets only, see p.125.

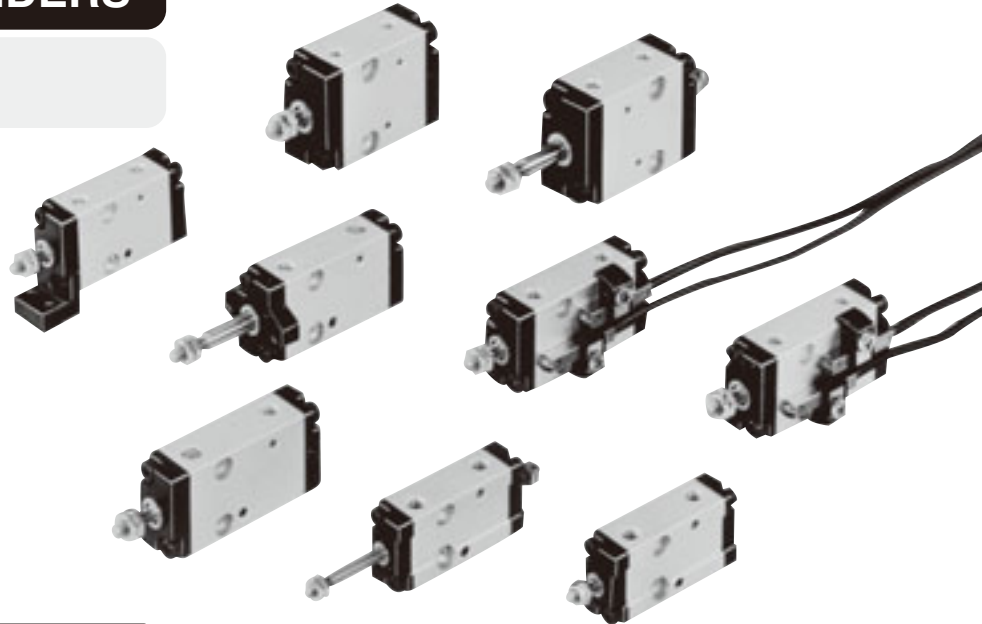
Page where specifications are shown — 113

<p>Non-rotating double acting type BDAL</p>	
	
<p>Non-rotating single acting push type BSAL</p>	
	
<p>Non-rotating single acting pull type BTAL</p>	
	
<p>Non-rotating double acting double rod type BDADL</p>	
	

<p>Side mount (Standard)</p> 	 <p>Side mounting thru hole used for direct installation.</p>  <p>Plate-like spacer used for easy piston rod center adjustment.</p>  <p>Collar and counter-bore of the cylinder body used for easy piston rod center adjustment.</p>
<p>Foot A mount</p> <p>Foot mounting brackets are not available for the rod sides of the non-rotating and non-rotating double rod type.</p> 	 <p>Rod side foot mounting bracket used for one-side support.</p>  <p>Head side foot mounting bracket used for one-side support.</p>  <p>Foot mounting bracket on both sides used for rigid mounting.</p>
<p>Flange A mount</p> 	 <p>Rod side flange mounting brackets used for panel mount.</p>  <p>Rod side flange mounting brackets used for wall mount.</p>  <p>Head side flange mounting brackets used for wall mount.</p>  <p>Flange mounting brackets at both sides used for sandwich mount. (Should be adjusted at a field.)</p>
<p>Flange B mount</p> 	 <p>Rod side flange mounting bracket used for panel mount.</p>  <p>Head side flange mounting bracket used for panel mount.</p>

MULTI MOUNT CYLINDERS

Standard Cylinders



Symbols

- Double acting type (BDA)
- Single acting push type (BSA)



- Single acting pull type (BTA)
- Double acting double rod type (BDAD)



Cylinder Thrust

Bore size mm [in.]	Piston rod diameter mm [in.]	Operation type	Pressure area mm ² [in. ²]	Air pressure MPa [psi.]							
				0.1 [15]	0.2 [29]	0.3 [44]	0.4 [58]	0.5 [73]	0.6 [87]	0.7 [102]	
6 [0.236]	3 [0.118]	Double acting type	Push side	28.2 [0.0437]	—	5.6 [1.26]	8.5 [1.91]	11.3 [2.54]	14.1 [3.17]	16.9 [3.80]	19.7 [4.43]
			Pull side	21.2 [0.0329]	—	4.2 [0.94]	6.4 [1.44]	8.5 [1.91]	10.6 [2.38]	12.7 [2.85]	14.8 [3.33]
		Single acting push type	Push side	28.2 [0.0437]	—	1.7 [0.38]	4.6 [1.03]	7.4 [1.66]	10.2 [2.29]	13 [2.92]	15.8 [3.55]
			Pull side	21.2 [0.0329]	—	—	2.5 [0.56]	4.6 [1.03]	6.7 [1.51]	8.8 [1.98]	10.9 [2.45]
10 [0.394]	5 [0.197]	Double acting type	Push side	78.5 [0.1217]	7.9 [1.78]	15.7 [3.53]	23.6 [5.31]	31.4 [7.06]	39.3 [8.83]	47.1 [10.59]	55 [12.36]
			Pull side	58.9 [0.0913]	5.9 [1.33]	11.8 [2.65]	17.7 [3.98]	23.6 [5.31]	29.5 [6.63]	35.3 [7.94]	41.2 [9.26]
		Single acting push type	Push side	78.5 [0.1217]	—	7.9 [1.78]	15.8 [3.55]	23.6 [5.31]	31.5 [7.08]	39.3 [8.83]	47.2 [10.61]
			Pull side	58.9 [0.0913]	—	4 [0.90]	9.9 [2.23]	15.8 [3.55]	21.7 [4.88]	27.5 [6.18]	33.4 [7.51]
16 [0.630]	6 [0.236]	Double acting type	Push side	201 [0.312]	20.1 [4.52]	40.2 [9.04]	60.3 [13.56]	80.4 [18.07]	100.5 [22.59]	120.6 [27.11]	140.7 [31.63]
			Pull side	172 [0.267]	17.2 [3.87]	34.4 [7.73]	51.6 [11.60]	68.8 [15.47]	86 [19.33]	103.2 [23.20]	120.4 [27.07]
		Single acting push type	Push side	201 [0.312]	—	18.6 [4.18]	38.7 [8.70]	58.8 [13.22]	78.9 [17.74]	99 [22.26]	119.1 [26.77]
			Pull side	172 [0.267]	—	12.8 [2.88]	30 [6.74]	47.2 [10.61]	64.4 [14.48]	81.6 [18.34]	98.8 [22.21]

Note: For the double acting double rod type, see the double acting type pull side.

Spring Return Force (Only for Single Acting Type)


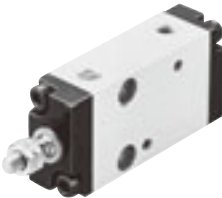
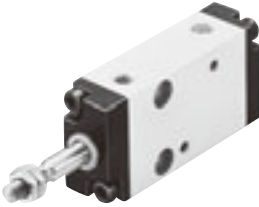

Bore size mm [in.]	Item	Zero stroke			End of stroke
		5	10	15	5, 10, 15
6 [0.236]	Stroke mm	2.9 [0.65]	2.5 [0.56]	2.0 [0.45]	3.9 [0.88]
10 [0.394]	Stroke mm	6.9 [1.55]	4.9 [1.10]	2.9 [0.65]	7.8 [1.75]
16 [0.630]	Stroke mm	17.7 [3.98]	13.7 [3.08]	9.8 [2.20]	21.6 [4.86]

Specifications

Bore size mm [in.]		6 [0.236]	10 [0.394]	16 [0.630]
Item				
Media		Air		
Operating pressure range MPa [psi.]	Double acting type	0.15~0.7 [22~102]	0.1~0.7 [15~102]	0.08~0.7 [12~102]
	Single acting push type	0.2~0.7 [29~102]	0.15~0.7 [22~102]	0.15~0.7 [22~102]
	Single acting pull type	0.3~0.7 [44~102]	0.2~0.7 [29~102]	0.2~0.7 [29~102]
	Double acting double rod type	0.2~0.7 [29~102]	0.15~0.7 [22~102]	0.1~0.7 [15~102]
Proof pressure	MPa [psi.]	1.03 [149]		
Operating temperature range	°C [°F]	0~60 [32~140]		
Operating speed range	mm/s [in./sec.]	50~500 [2.0~19.7]		
Cushion		Rubber bumper		
Lubrication		Not required (If lubrication is required, use Turbine Oil Class 1 [ISO VG32] or equivalent.)		
Port size		M5×0.8		
Stroke tolerance	mm [in.]	+1 0 [+0.039 0]		

Operation Type, Bore Size, and Stroke

Operation type	Bore size	Standard strokes	
		mm	
Double acting type	6	5, 10, 15, 20, 25, 30	
	10	5, 10, 15, 20, 25, 30	
	16	5, 10, 15, 20, 25, 30	
Single acting push type Single acting pull type	6	5, 10, 15	
	10	5, 10, 15	
	16	5, 10, 15	
Double acting double rod type	6	5, 10, 15, 20, 25, 30	
	10	5, 10, 15, 20, 25, 30	
	16	5, 10, 15, 20, 25, 30	

Double acting type	Single acting push type	Single acting pull type	Double acting double rod type
Page where dimensions are shown _____ 101	Page where dimensions are shown _____ 104	Page where dimensions are shown _____ 107	Page where dimensions are shown _____ 110
			
BDA	BSA	BTA	BDAD

Mass

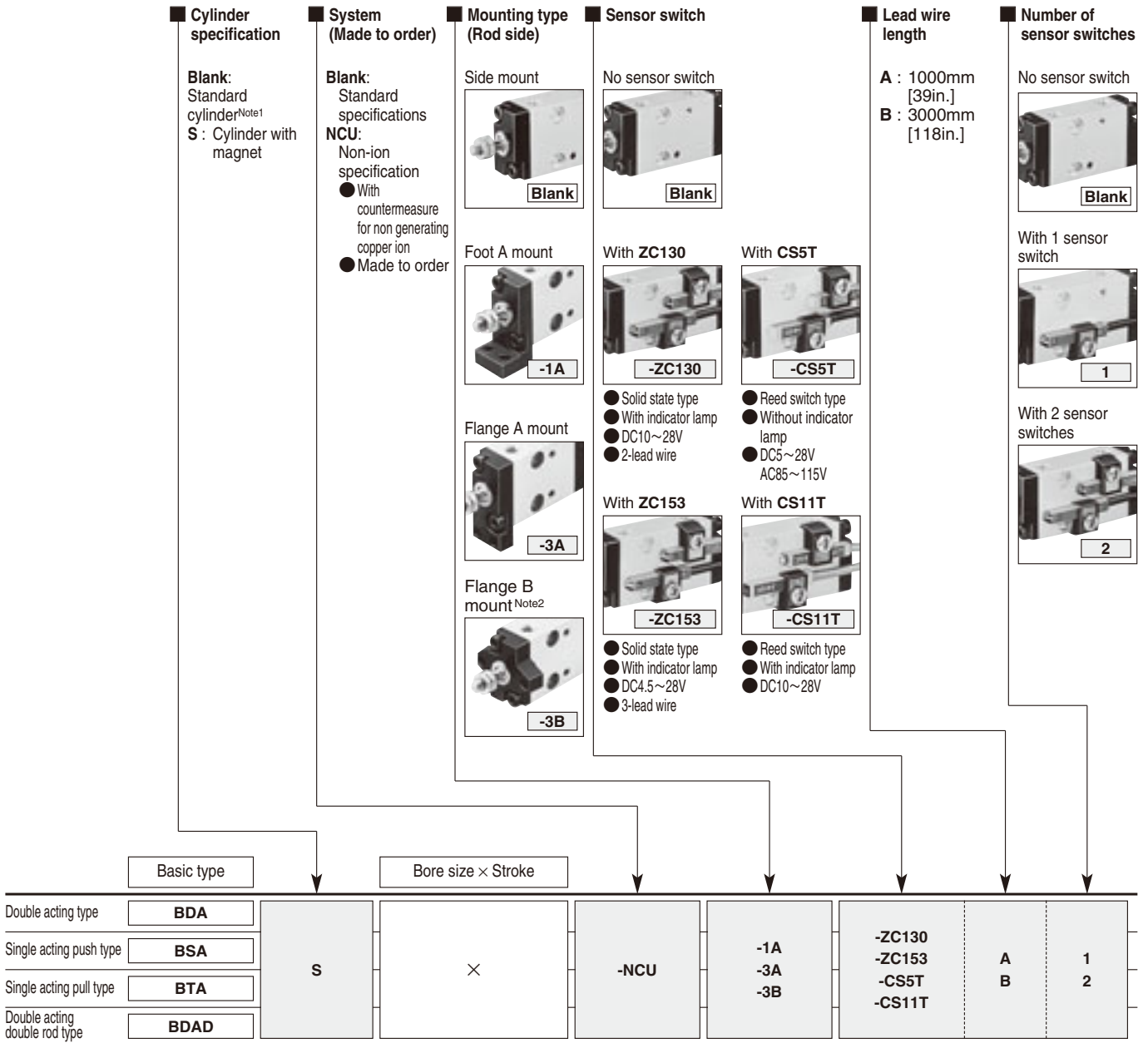
Operation type	Bore size mm [in.]	Stroke mm	Mass of side mount		Additional mass																													
			Standard cylinder	Cylinder with magnet	Double rod	With 1 sensor switch (Only for cylinder with magnet type)				Rod side mounting bracket			Head side mounting bracket																					
						ZC130	ZC153	CS5T	CS11T	Foot A mount	Flange A mount	Flange B mount	Foot A mount	Flange A mount	Flange B mount																			
Double acting type	6 [0.236]	5	21 [0.74]	24 [0.85]	4 [0.14]	20 [0.71]	10 [0.35]	1 [0.04]	1 [0.04]	15 [0.53]	5 [0.18]	5 [0.18]	5	10	15	20	25	30	36 [1.27]	39 [1.38]	8 [0.28]	20 [0.71]	16 [0.56]	2 [0.07]	2 [0.07]	24 [0.85]	8 [0.28]	8 [0.28]						
		10	24 [0.85]	27 [0.95]																									16 [0.56]	2 [0.07]	2 [0.07]	24 [0.85]	8 [0.28]	8 [0.28]
		15	27 [0.95]	30 [1.06]																														
		20	30 [1.06]	33 [1.16]																														
		25	33 [1.16]	36 [1.27]																														
		30	36 [1.27]	39 [1.38]																														
	10 [0.394]	5	37 [1.31]	43 [1.52]	8 [0.28]	20 [0.71]	16 [0.56]	2 [0.07]	2 [0.07]	24 [0.85]	8 [0.28]	8 [0.28]	5	10	15	20	25	30	37 [1.31]	43 [1.52]	51 [1.80]	55 [1.94]	59 [2.08]	63 [2.22]	16 [0.56]	33 [1.16]	4 [0.14]	4 [0.14]						
		10	41 [1.45]	47 [1.66]																														
		15	45 [1.59]	51 [1.80]																														
		20	49 [1.73]	55 [1.94]																														
		25	53 [1.87]	59 [2.08]																														
		30	57 [2.01]	63 [2.22]																														
	16 [0.630]	5	79 [2.79]	92 [3.25]	16 [0.56]	20 [0.71]	33 [1.16]	4 [0.14]	4 [0.14]	53 [1.87]	17 [0.60]	17 [0.60]	5	10	15	20	25	30	79 [2.79]	92 [3.25]	106 [3.74]	113 [3.99]	120 [4.23]	127 [4.48]	33 [1.16]	4 [0.14]	4 [0.14]	53 [1.87]	17 [0.60]	17 [0.60]				
		10	86 [3.03]	99 [3.49]																														
		15	93 [3.28]	106 [3.74]																														
		20	100 [3.53]	113 [3.99]																														
		25	107 [3.77]	120 [4.23]																														
		30	114 [4.02]	127 [4.48]																														
Single acting push type	6 [0.236]	5	25 [0.88]	28 [0.99]	—	20 [0.71]	10 [0.35]	1 [0.04]	1 [0.04]	15 [0.53]	5 [0.18]	5 [0.18]	5	10	15	20	25	28 [0.88]	31 [1.09]	34 [1.20]	43 [1.52]	49 [1.73]	—	20 [0.71]	16 [0.56]	2 [0.07]	2 [0.07]	24 [0.85]	8 [0.28]	8 [0.28]				
		10	28 [0.99]	31 [1.09]																														
		15	31 [1.09]	34 [1.20]																														
	10 [0.394]	5	43 [1.52]	49 [1.73]	—	20 [0.71]	16 [0.56]	2 [0.07]	2 [0.07]	24 [0.85]	8 [0.28]	8 [0.28]	5	10	15	20	25	43 [1.52]	49 [1.73]	53 [1.87]	57 [2.01]	90 [3.17]	103 [3.63]	—	20 [0.71]	33 [1.16]	4 [0.14]	4 [0.14]	53 [1.87]	17 [0.60]	17 [0.60]			
		10	47 [1.66]	53 [1.87]																														
		15	51 [1.80]	57 [2.01]																														
	16 [0.630]	5	90 [3.17]	103 [3.63]	—	20 [0.71]	33 [1.16]	4 [0.14]	4 [0.14]	53 [1.87]	17 [0.60]	17 [0.60]	5	10	15	20	25	90 [3.17]	103 [3.63]	110 [3.88]	117 [4.13]	104 [3.67]	117 [4.13]	—	20 [0.71]	33 [1.16]	4 [0.14]	4 [0.14]	53 [1.87]	17 [0.60]	17 [0.60]			
		10	97 [3.42]	110 [3.88]																														
		15	104 [3.67]	117 [4.13]																														
	Single acting pull type	6 [0.236]	5	27 [0.95]	30 [1.06]	—	20 [0.71]	10 [0.35]	1 [0.04]	1 [0.04]	15 [0.53]	5 [0.18]	5 [0.18]	5	10	15	20	25	27 [0.95]	30 [1.06]	33 [1.16]	36 [1.27]	46 [1.62]	52 [1.83]	—	20 [0.71]	16 [0.56]	2 [0.07]	2 [0.07]	24 [0.85]	8 [0.28]	8 [0.28]		
			10	30 [1.06]	33 [1.16]																													
			15	33 [1.16]	36 [1.27]																													
10 [0.394]		5	46 [1.62]	52 [1.83]	—	20 [0.71]	16 [0.56]	2 [0.07]	2 [0.07]	24 [0.85]	8 [0.28]	8 [0.28]	5	10	15	20	25	46 [1.62]	52 [1.83]	56 [1.98]	60 [2.12]	100 [3.53]	113 [3.99]	—	20 [0.71]	33 [1.16]	4 [0.14]	4 [0.14]	53 [1.87]	17 [0.60]	17 [0.60]			
		10	50 [1.76]	56 [1.98]																														
		15	54 [1.90]	60 [2.12]																														
16 [0.630]		5	100 [3.53]	113 [3.99]	—	20 [0.71]	33 [1.16]	4 [0.14]	4 [0.14]	53 [1.87]	17 [0.60]	17 [0.60]	5	10	15	20	25	100 [3.53]	113 [3.99]	120 [4.23]	127 [4.48]	114 [4.02]	127 [4.48]	—	20 [0.71]	33 [1.16]	4 [0.14]	4 [0.14]	53 [1.87]	17 [0.60]	17 [0.60]			
		10	107 [3.77]	120 [4.23]																														
		15	114 [4.02]	127 [4.48]																														

Calculation example: To add 2 sensor switches to the cylinder with magnet, double acting type BDAS10×20,
 $55 + (20 \times 2) = 95\text{g}$ [3.35oz.]

Remark: There are 2 types of sensor switch lead wire lengths.

A: 1000mm [39in.], B: 3000mm [118in.]

Order Codes for Standard Cylinders



Notes: 1. The magnet for the sensor switch is not built-in. Always use the cylinder with magnet when using the sensor switch.
 2. Two sensor switches cannot be installed on a cylinder with flange B mount. Mount 1 sensor switch on the head side when the flange B mount is used on the rod side, and mount 1 sensor switch on the rod side when the flange B mount is used on the head side.

Remark: For the cylinder joint and cylinder rod end mounted on the piston rod end, see p.1568.

- See table for operation type, bore size and stroke.
- Order the head side mounting bracket separately. Cannot be ordered as already assembled the mount on the cylinder.
- For the order codes of mounting brackets only, see p.125.

- For the order codes of sensor switches only, see p.126.
- In the 5mm [0.197in.] cylinder strokes, 1 sensor switch installation is standard for CS5T and CS11T. When mounting 2 units, use the solid state type.
- For details, see p.1544.

● In the 5mm [0.197in.] cylinder strokes, 1 sensor switch installation is standard for the reed switch type (CS5T, CS11T).

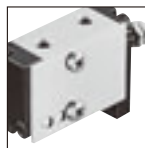
Additional Parts (To be ordered separately)

Mounting brackets



- Side mount (Head cover)
- Foot A mount
- Flange A mount
- Flange B mount
- The photographs above show head side mounting brackets.
- For the order codes, see p.125.
- Comes with 2 mounting screws.

Shield plate



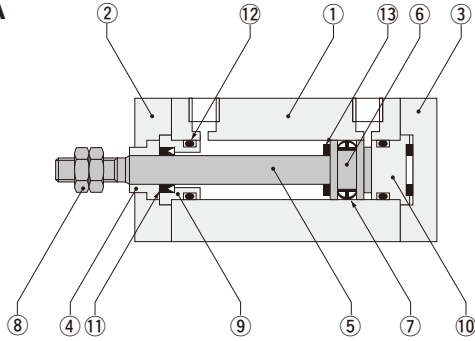
- For cylinder with magnet.
- For the order code, see p.128.
- Comes with 2 mounting screws.

Operation Type, Bore Size, and Stroke

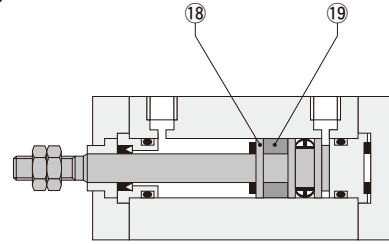
Operation type	Bore size	Standard strokes
Double acting type	6	5, 10, 15, 20, 25, 30
	10	
	16	
Single acting push type Single acting pull type	6	5, 10, 15
	10	
	16	
Double acting double rod type	6	5, 10, 15, 20, 25, 30
	10	
	16	

Inner Construction and Major Parts

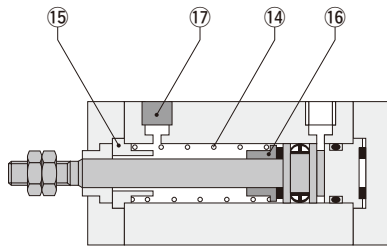
● Double acting type BDA



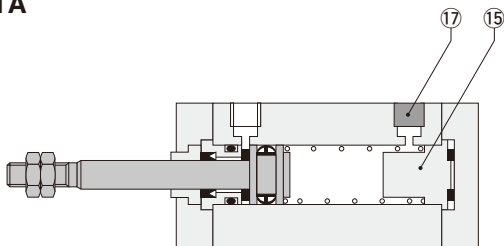
● Cylinder with magnet double acting type BDAS



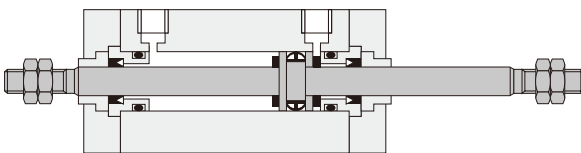
● Single acting push type BSA



● Single acting pull type BTA



● Double acting double rod type BDAD



Major Parts and Materials

No.	Parts	Materials	
		Standard specification	Non-ion specification
①	Body	Aluminum alloy (anodized)	←
②	Rod cover <small>Note</small>	PBT	Aluminum alloy (black anodized)
③	Head cover <small>Note</small>	PBT	Aluminum alloy (black anodized)
④	Rod bushing	Oil impregnated bronze	Special steel
⑤	Piston rod	Stainless steel	←
⑥	Piston	Brass	Aluminum
⑦	Piston seal	Synthetic rubber (NBR)	←
⑧	Rod end nut	Steel (electric nickel plated)	←
⑨	Seal case	Brass	Special steel
⑩	Cap	Polyacetal	←
⑪	Rod seal	Synthetic rubber (NBR)	←
⑫	O-ring	Synthetic rubber (NBR)	←
⑬	Bumper	Synthetic rubber (NBR)	←
⑭	Spring	Steel (zinc plated)	←
⑮	Spring holder	Brass	Aluminum
⑯	Collar	Brass	Aluminum
⑰	Filter	Foamed metal	←
⑱	Support	Brass	Aluminum
⑲	Magnet	φ 6: Sintered alloy magnet φ 10 - φ 16: Plastic magnet	←

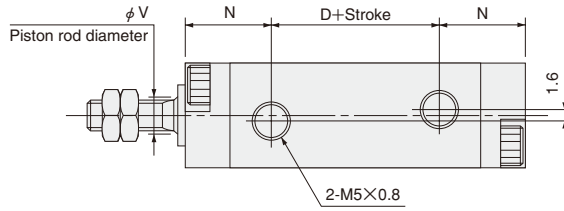
Note: Only the foot A mount is steel (black zinc plated).
Flange A and flange B mounts are aluminum alloy (black anodized).

Seals

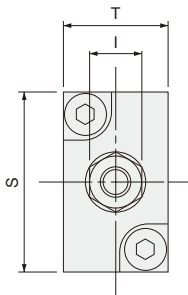
Parts	Rod seal	Piston seal	O-ring
Bore size mm [in.]			
6 [0.236]	NY-6×3×2	COP-6L	8.4×6×1.2
10 [0.394]	NY-8×5×2	COP-10L	10×7.6×1.2
16 [0.630]	NY-9×6×2	COP-16L	16×13×1.5

Dimensions of Double Acting Type (mm)

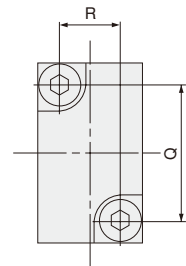
● Side mount BDA Bore size × Stroke



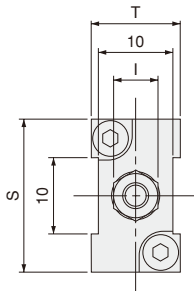
φ 10, φ 16



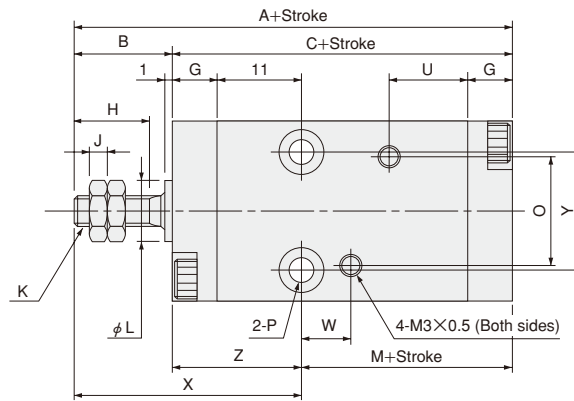
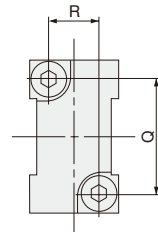
φ 10, φ 16



φ 6



φ 6



Type Code Bore mm [in.]	Standard cylinder				Cylinder with magnet				B	G	H	I	J	K	L	N	O	P	Q	R	S	T	U	V	W	X	Y	Z
	A	C	D	M	A	C	D	M																				
6 [0.236]	38	28	8	12	43	33	13	17	10	5	7	5.5	1.8	M3×0.5	6 ⁰ _{-0.05}	10	14	φ 3.5 Counterbore φ 6 Depth 4.2 (Both sides)	15	7	20	12	10.5	3	6.5	26	12	16
10 [0.394]	43	30	7	13	48	35	12	18	13	6	10	7	2.4	M4×0.7	8 ⁰ _{-0.05}	11.5	15	φ 3.5 Counterbore φ 6 Depth 3.2 (Both sides)	18	8	24	14		5		30	16	17
16 [0.630]	48	33	8	15	53	38	13	20	15	7	12	8	3.2	M5×0.8	10 ⁰ _{-0.05}	12.5	19	φ 4.5 Counterbore φ 7.6 Depth 4.2 (Both sides)	25	12	33	20		6		7.5	33	24

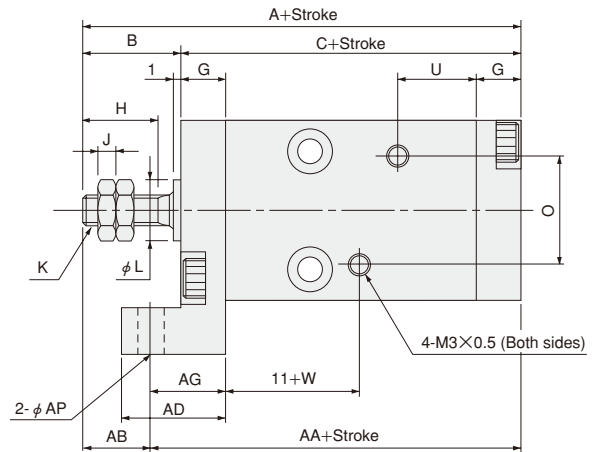
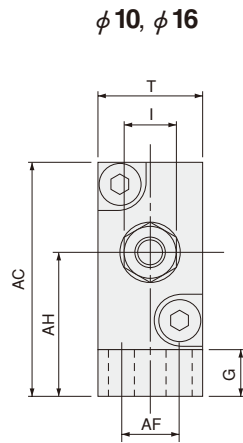
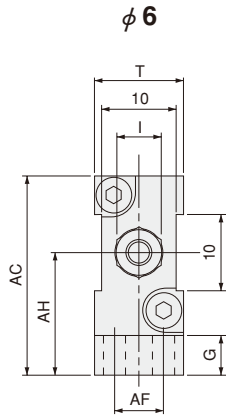
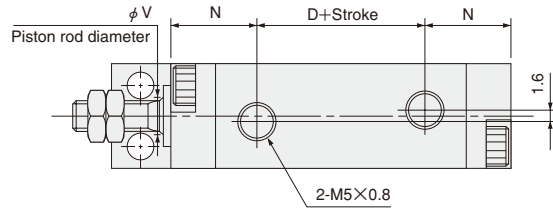
Note: The 4-M3 × 0.5 female thread (for sensor switch mounting) in the drawing should not be used for mounting the cylinder. Moreover, it is not available in the cylinder body of a standard 5mm [0.197in.] stroke cylinder.

Dimensions of Double Acting Type (mm)

● Foot A mount BDA Bore size × Stroke -1A



MULTI MOUNT CYLINDERS

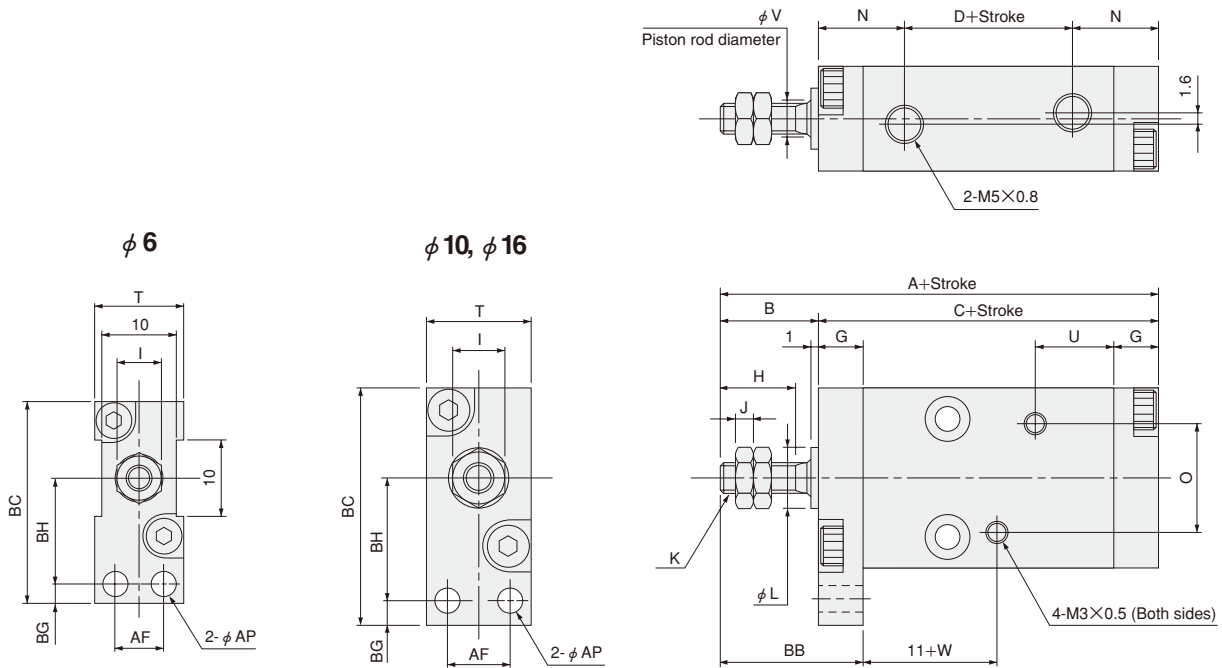


Type Code Bore mm [in.]	Standard cylinder				Cylinder with magnet				B	G	H	I	J	K	L	N	O	T	U	V	W	AB	AC	AD	AF	AG	AH	AP	
	A	C	D	AA	A	C	D	AA																					
6 [0.236]	38	28	8	32	43	33	13	37	10	5	7	5.5	1.8	M3×0.5	6 _{-0.05} ⁰	10	14	12		3		6	26	13	6	9	16		
10 [0.394]	43	30	7	34	48	35	12	39	13	6	10	7	2.4	M4×0.7	8 _{-0.05} ⁰	11.5	15	14	10.5	5	6.5	9	31	14	8	10	19	3.5	
16 [0.630]	48	33	8	38	53	38	13	43	15	7	12	8	3.2	M5×0.8	10 _{-0.05} ⁰	12.5	19	20		6	7.5	10	41.5	17	12	12	25	4.5	

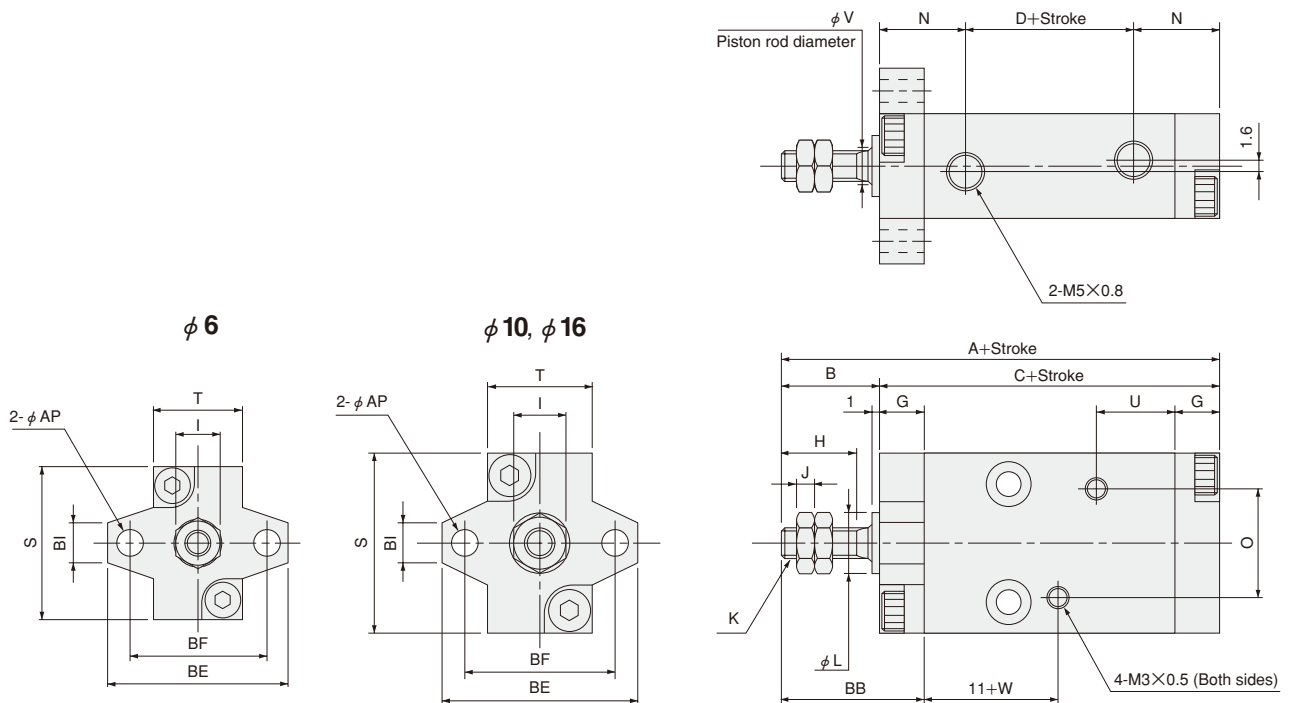
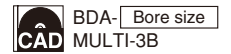
Note: The 4-M3 × 0.5 female thread (for sensor switch mounting) in the drawing should not be used for mounting the cylinder. Moreover, it is not available in the cylinder body of a standard 5mm [0.197in.] stroke cylinder.

Dimensions of Double Acting Type (mm)

● Flange A mount BDA Bore size × Stroke -3A



● Flange B mount BDA Bore size × Stroke -3B



Type	Standard cylinder						Cylinder with magnet																									
	Code	A	C	D	A	C	D	B	G	H	I	J	K	L	N	O	S	T	U	V	W	AF	AP	BB	BC	BE	BF	BG	BH	BI		
6 [0.236]		38	28	8	43	33	13	10	5	7	5.5	1.8	M3×0.5	6 ⁰ _{-0.05}	10	14	20	12		3	6.5	6	3.5	15	27.5	24	18		3.5	14		5
10 [0.394]		43	30	7	48	35	12	13	6	10	7	2.4	M4×0.7	8 ⁰ _{-0.05}	11.5	15	24	14	10.5	5		8		19	31.5	26	20			16		
16 [0.630]		48	33	8	53	38	13	15	7	12	8	3.2	M5×0.8	10 ⁰ _{-0.05}	12.5	19	33	20		6	7.5	12	4.5	22	42	36	28	4.5	21		6	

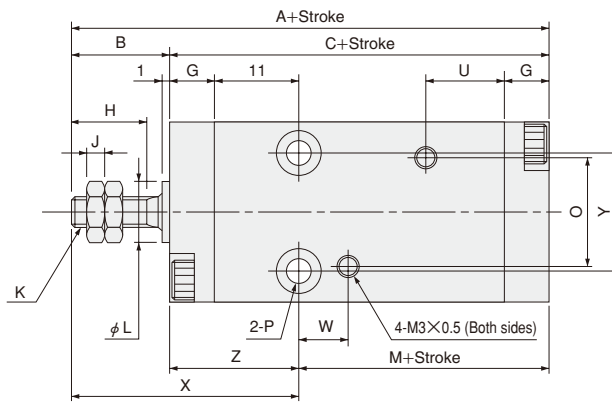
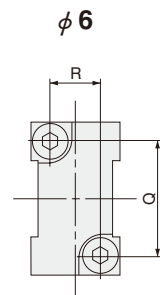
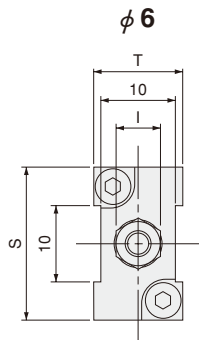
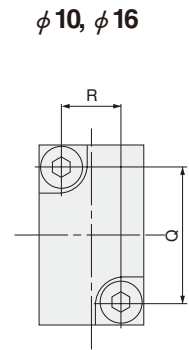
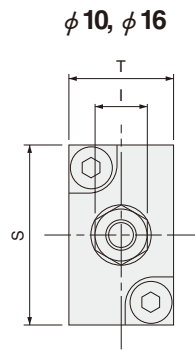
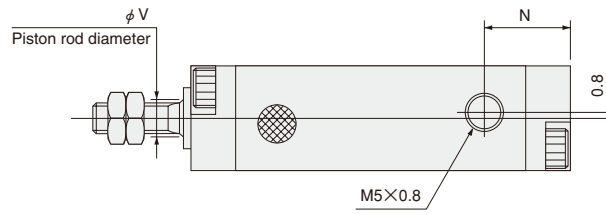
Note: The 4-M3 × 0.5 female thread (for sensor switch mounting) in the drawing should not be used for mounting the cylinder. Moreover, it is not available in the cylinder body of a standard 5mm [0.197in.] stroke cylinder.

Dimensions of Single Acting Push Type (mm)

● Side mount BSA Bore size × Stroke

CAD BSA- Bore size

MULTI MOUNT CYLINDERS

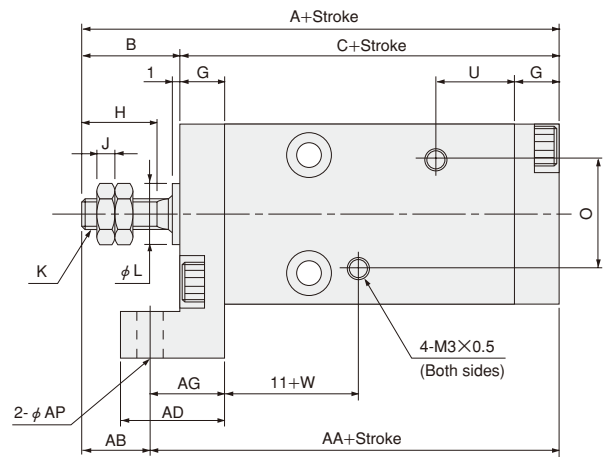
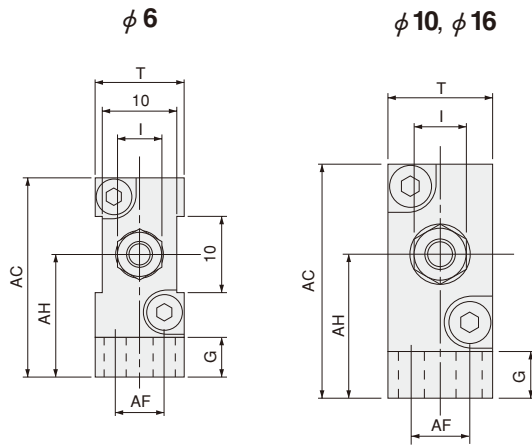
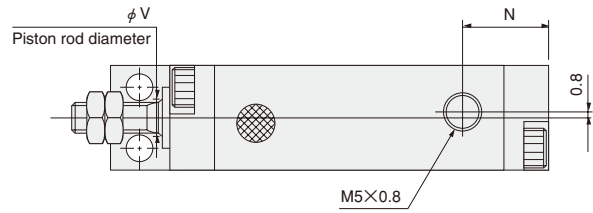


Type Code Bore mm [in.]	Standard cylinder			Cylinder with magnet			B	G	H	I	J	K	L	N	O	P	Q	R	S	T	U	V	W	X	Y	Z
	A	C	M	A	C	M																				
6 [0.236]	43	33	17	48	38	22	10	5	7	5.5	1.8	M3×0.5	6 ⁰ _{-0.05}	10	14	φ 3.5 Counterbore φ 6 Depth4.2 (Both sides)	15	7	20	12		3		26	12	16
10 [0.394]	48	35	18	53	40	23	13	6	10	7	2.4	M4×0.7	8 ⁰ _{-0.05}	11.5	15	φ 3.5 Counterbore φ 6 Depth3.2 (Both sides)	18	8	24	14	10.5	5	6.5	30	16	17
16 [0.630]	53	38	20	58	43	25	15	7	12	8	3.2	M5×0.8	10 ⁰ _{-0.05}	12.5	19	φ 4.5 Counterbore φ 7.6 Depth4.2 (Both sides)	25	12	33	20		6	7.5	33	24	18

Note: The 4-M3 × 0.5 female thread (for sensor switch mounting) in the drawing should not be used for mounting the cylinder. Moreover, it is not available in the cylinder body of a standard 5mm [0.197in.] stroke cylinder.

Dimensions of Single Acting Push Type (mm)

● Foot A mount BSA Bore size × Stroke -1A



Type Code Bore mm [in.]	Standard cylinder			Cylinder with magnet			B	G	H	I	J	K	L	N	O	T	U	V	W	AB	AC	AD	AF	AG	AH	AP
	A	C	AA	A	C	AA																				
6 [0.236]	43	33	37	48	38	42	10	5	7	5.5	1.8	M3×0.5	6 ⁰ _{-0.05}	10	14	12		3		6	26	13	6	9	16	
10 [0.394]	48	35	39	53	40	44	13	6	10	7	2.4	M4×0.7	8 ⁰ _{-0.05}	11.5	15	14	10.5	5	6.5	9	31	14	8	10	19	3.5
16 [0.630]	53	38	43	58	43	48	15	7	12	8	3.2	M5×0.8	10 ⁰ _{-0.05}	12.5	19	20		6	7.5	10	41.5	17	12	12	25	4.5

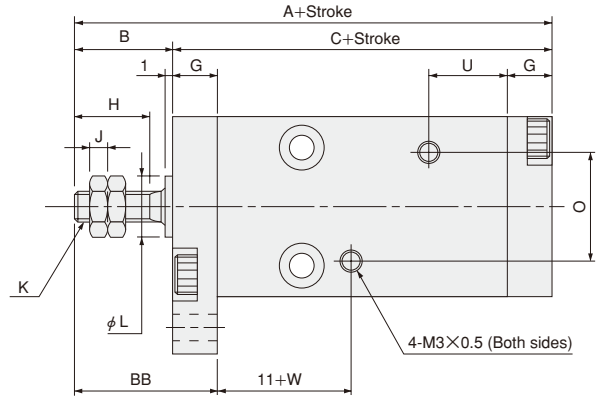
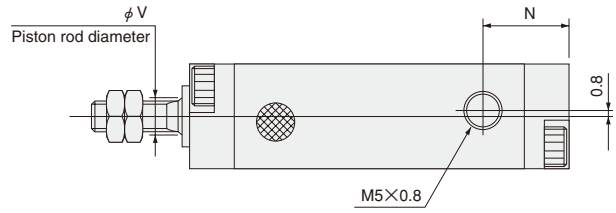
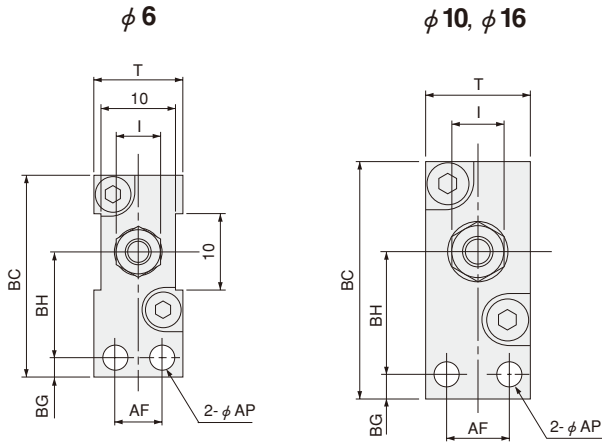
Note: The 4-M3 × 0.5 female thread (for sensor switch mounting) in the drawing should not be used for mounting the cylinder. Moreover, it is not available in the cylinder body of a standard 5mm [0.197in.] stroke cylinder.

Dimensions of Single Acting Push Type (mm)

● Flange A mount BSA Bore size × Stroke -3A

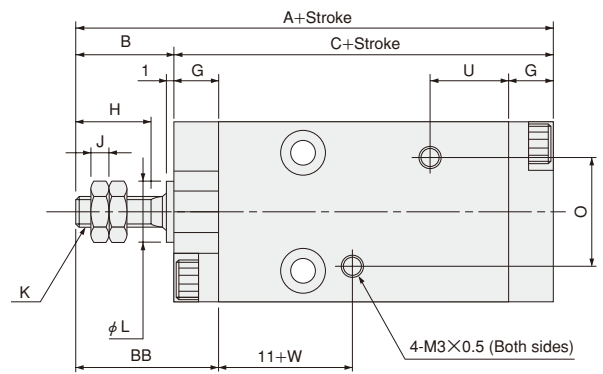
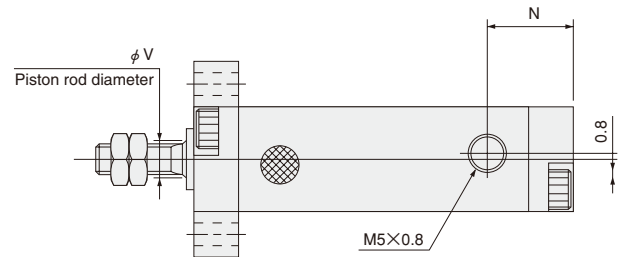
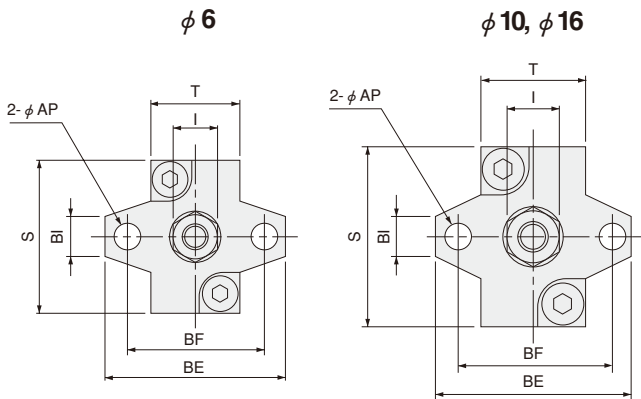
CAD BSA- Bore size
MULTI-3A

MULTI MOUNT CYLINDERS



● Flange B mount BSA Bore size × Stroke -3B

CAD BSA- Bore size
MULTI-3B

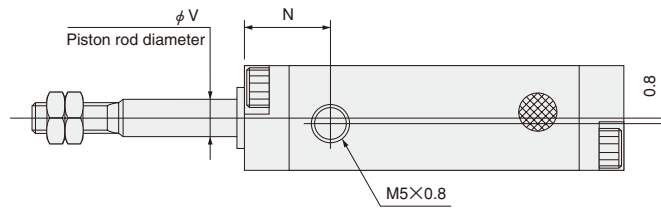


Type	Standard cylinder		Cylinder with magnet		B	G	H	I	J	K	L	N	O	S	T	U	V	W	AF	AP	BB	BC	BE	BF	BG	BH	BI
	Code	A	C	A																							
6 [0.236]	43	33	48	38	10	5	7	5.5	1.8	M3×0.5	6 ⁰ _{-0.05}	10	14	20	12	3	6.5	6	3.5	15	27.5	24	18	3.5	14	5	
10 [0.394]	48	35	53	40	13	6	10	7	2.4	M4×0.7	8 ⁰ _{-0.05}	11.5	15	24	14	10.5	5	8	19	31.5	26	20	20	16	5		
16 [0.630]	53	38	58	43	15	7	12	8	3.2	M5×0.8	10 ⁰ _{-0.05}	12.5	19	33	20	6	7.5	12	4.5	22	42	36	28	4.5	21	6	

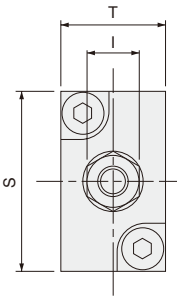
Note: The 4-M3 × 0.5 female thread (for sensor switch mounting) in the drawing should not be used for mounting the cylinder. Moreover, it is not available in the cylinder body of a standard 5mm [0.197in.] stroke cylinder.

Dimensions of Single Acting Pull Type (mm)

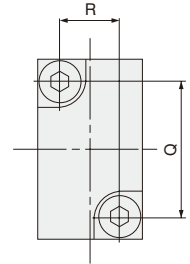
● Side mount BTA Bore size Stroke



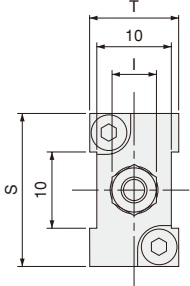
φ 10, φ 16



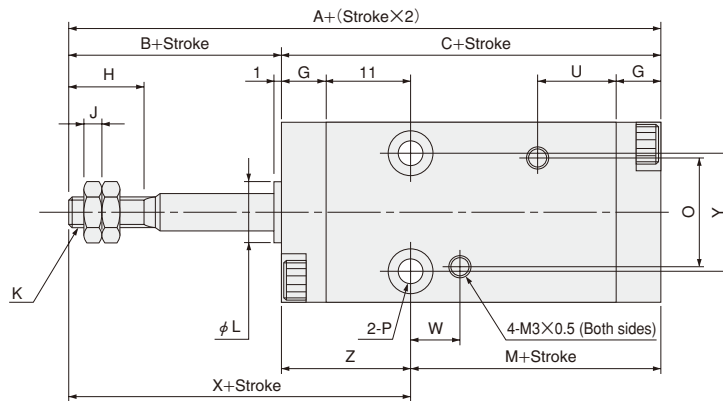
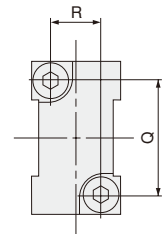
φ 10, φ 16



φ 6



φ 6



Type	Standard cylinder			Cylinder with magnet																									
Code	A	C	M	A	C	M	B	G	H	I	J	K	L	N	O	P				Q	R	S	T	U	V	W	X	Y	Z
Bore mm [in.]																													
6 [0.236]	43	33	17	48	38	22	10	5	7	5.5	1.8	M3×0.5	6 ⁰ _{-0.05}	10	14	φ 3.5 Counterbore φ 6 Depth 4.2 (Both sides)				15	7	20	12		3	6.5	26	12	16
10 [0.394]	48	35	18	53	40	23	13	6	10	7	2.4	M4×0.7	8 ⁰ _{-0.05}	11.5	15	φ 3.5 Counterbore φ 6 Depth 3.2 (Both sides)				18	8	24	14	10.5	5		30	16	17
16 [0.630]	53	38	20	58	43	25	15	7	12	8	3.2	M5×0.8	10 ⁰ _{-0.05}	12.5	19	φ 4.5 Counterbore φ 7.6 Depth 4.2 (Both sides)				25	12	33	20		6	7.5	33	24	18

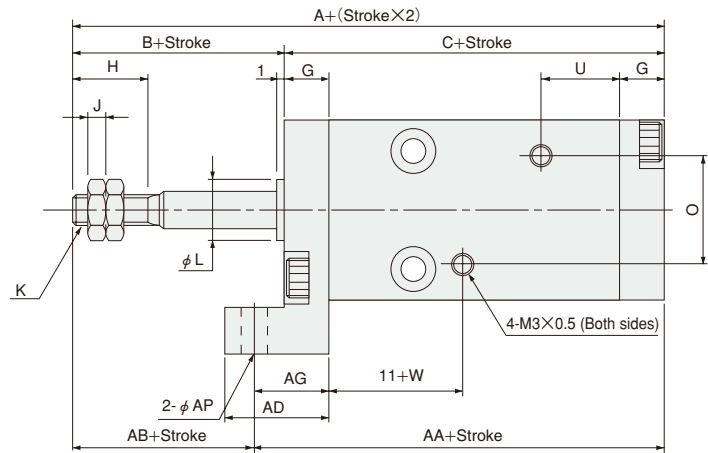
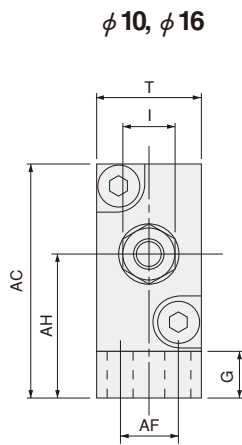
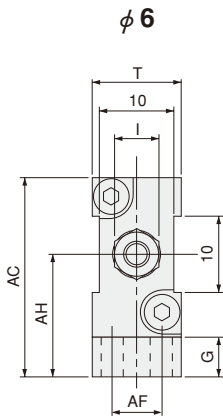
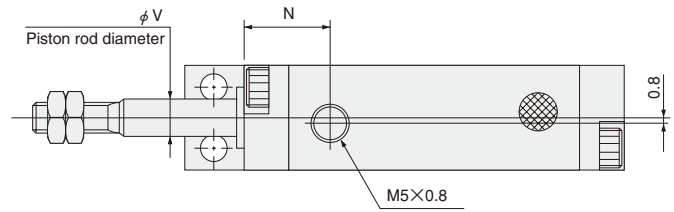
Note: The 4-M3 × 0.5 female thread (for sensor switch mounting) in the drawing should not be used for mounting the cylinder. Moreover, it is not available in the cylinder body of a standard 5mm [0.197in.] stroke cylinder.

Dimensions of Single Acting Pull Type (mm)

● Foot A mount BTA Bore size × Stroke -1A

CAD BTA- Bore size
MULTI-1A

MULTI MOUNT CYLINDERS

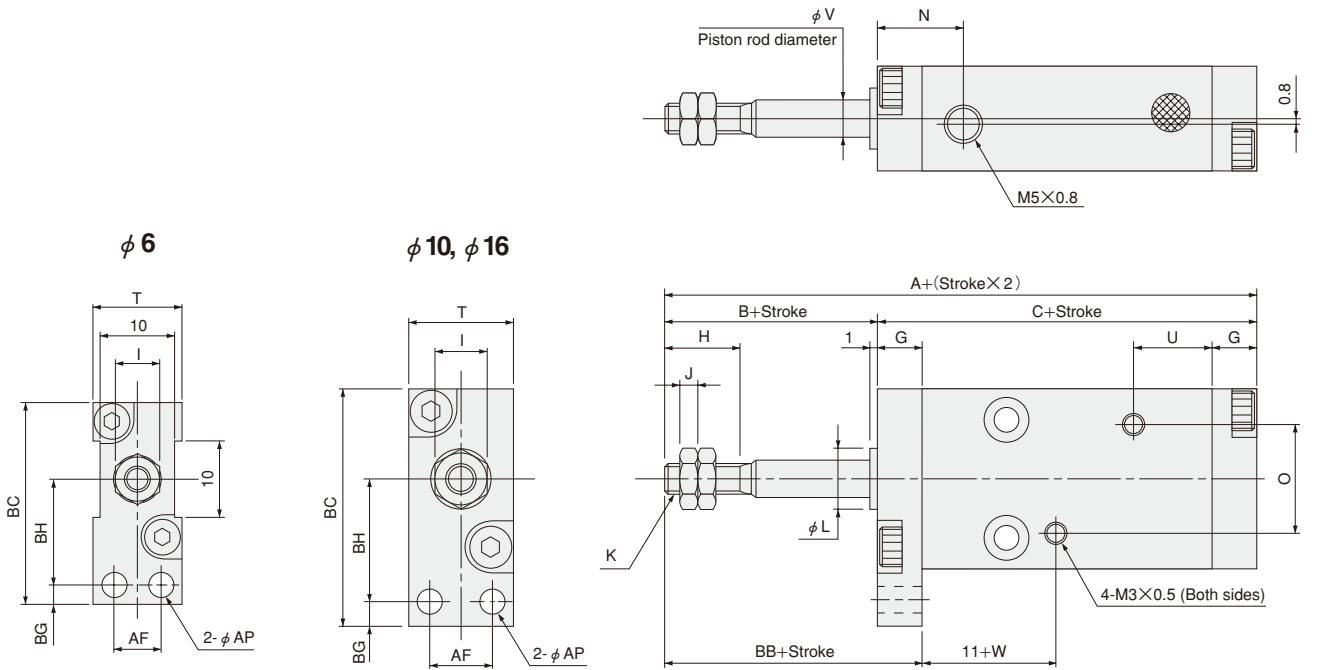


Type Code Bore mm [in.]	Standard cylinder			Cylinder with magnet			B	G	H	I	J	K	L	N	O	T	U	V	W	AB	AC	AD	AF	AG	AH	AP
	A	C	AA	A	C	AA																				
6 [0.236]	43	33	37	48	38	42	10	5	7	5.5	1.8	M3×0.5	6 ⁰ _{-0.05}	10	14	12	10.5	3	6.5	6	26	13	6	9	16	3.5
10 [0.394]	48	35	39	53	40	44	13	6	10	7	2.4	M4×0.7	8 ⁰ _{-0.05}	11.5	15	14		5		9	31	14	8	10	19	
16 [0.630]	53	38	43	58	43	48	15	7	12	8	3.2	M5×0.8	10 ⁰ _{-0.05}	12.5	19	20		6		7.5	10	41.5	17	12	12	

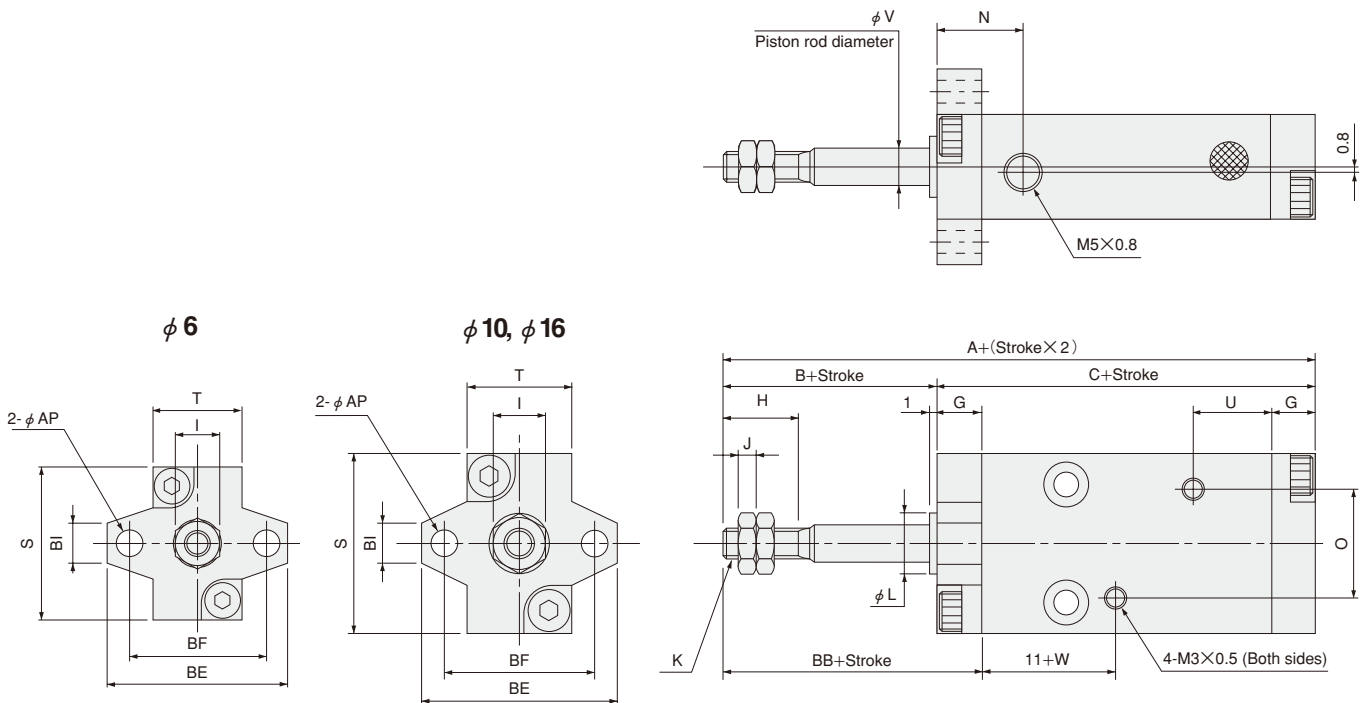
Note: The 4-M3 × 0.5 female thread (for sensor switch mounting) in the drawing should not be used for mounting the cylinder. Moreover, it is not available in the cylinder body of a standard 5mm [0.197in.] stroke cylinder.

Dimensions of Single Acting Pull Type (mm)

● Flange A mount BTA Bore size × Stroke -3A



● Flange B mount BTA Bore size × Stroke -3B



Type	Standard cylinder		Cylinder with magnet		B	G	H	I	J	K	L	N	O	S	T	U	V	W	AF	AP	BB	BC	BE	BF	BG	BH	BI
	Code	A	C	A																							
6 [0.236]	43	33	48	38	10	5	7	5.5	1.8	M3×0.5	6 ⁰ _{-0.05}	10	14	20	12	10.5	3	6.5	6	3.5	15	27.5	24	18	3.5	14	5
10 [0.394]	48	35	53	40	13	6	10	7	2.4	M4×0.7	8 ⁰ _{-0.05}	11.5	15	24	14	10.5	5	8	8	19	31.5	26	20	20	3.5	16	5
16 [0.630]	53	38	58	43	15	7	12	8	3.2	M5×0.8	10 ⁰ _{-0.05}	12.5	19	33	20	10.5	6	7.5	12	4.5	22	42	36	28	4.5	21	6

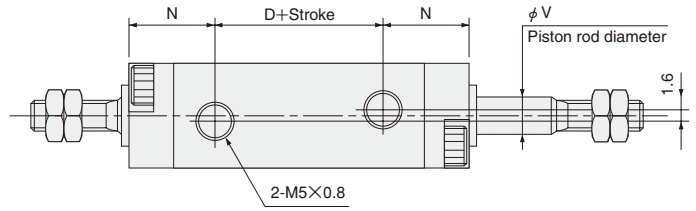
Note: The 4-M3 × 0.5 female thread (for sensor switch mounting) in the drawing should not be used for mounting the cylinder. Moreover, it is not available in the cylinder body of a standard 5mm [0.197in.] stroke cylinder.

Dimensions of Double Acting Double Rod Type (mm)

● Side mount BDAD Bore size × Stroke

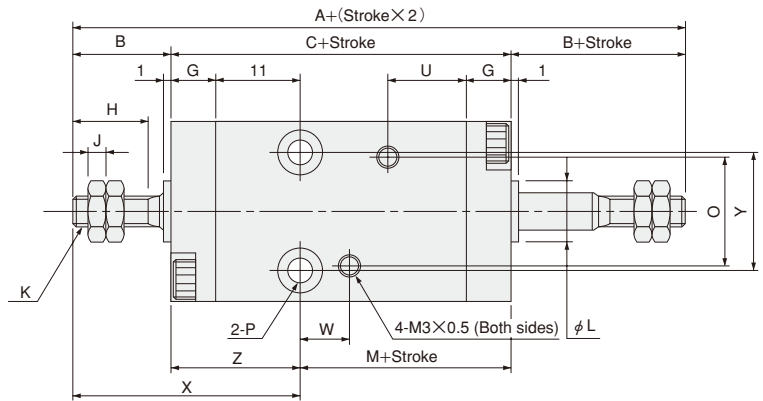
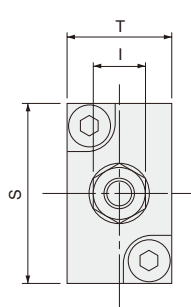
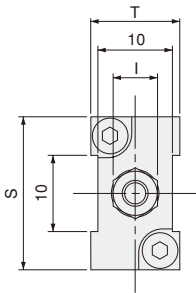
CAD BDAD- Bore size

MULTI MOUNT CYLINDERS



φ 6

φ 10, φ 16

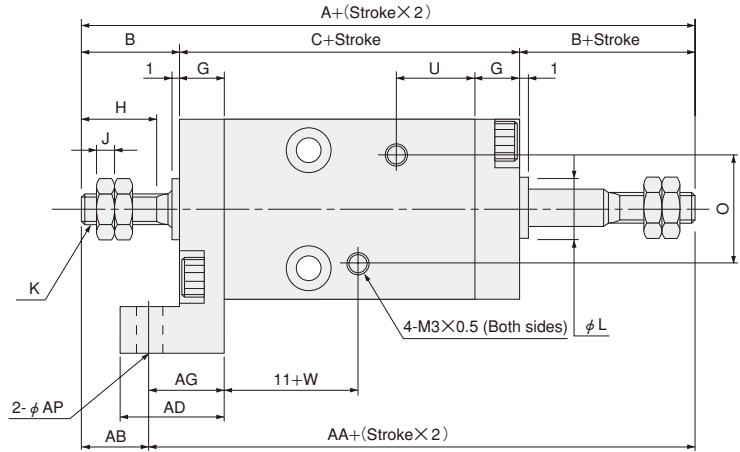
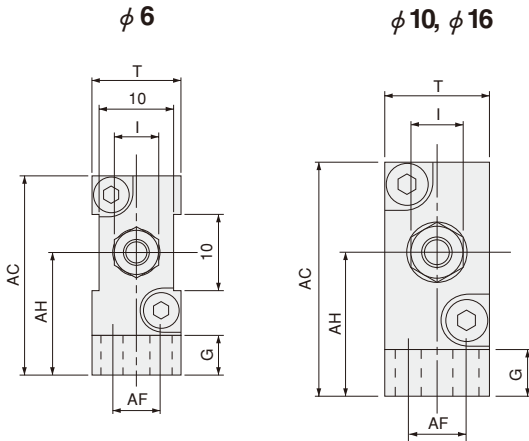
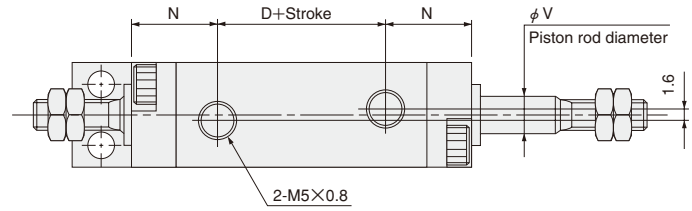
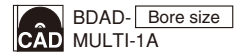


Type Code Bore mm [in.]	Standard cylinder				Cylinder with magnet				B	G	H	I	J	K	L	N	O	P	S	T	U	V	W	X	Y	Z
	A	C	D	M	A	C	D	M																		
6 [0.236]	48	28	8	12	53	33	13	17	10	5	7	5.5	1.8	M3×0.5	6 ⁰ _{-0.05}	10	14	φ 3.5 Counterbore φ 6 Depth 4.2 (Both sides)	20	12		3	6.5	26	12	16
10 [0.394]	56	30	7	13	61	35	12	18	13	6	10	7	2.4	M4×0.7	8 ⁰ _{-0.05}	11.5	15	φ 3.5 Counterbore φ 6 Depth 3.2 (Both sides)	24	14	10.5	5		30	16	17
16 [0.630]	63	33	8	15	68	38	13	20	15	7	12	8	3.2	M5×0.8	10 ⁰ _{-0.05}	12.5	19	φ 4.5 Counterbore φ 7.6 Depth 4.2 (Both sides)	33	20		6	7.5	33	24	18

Note: The 4-M3 × 0.5 female thread (for sensor switch mounting) in the drawing should not be used for mounting the cylinder. Moreover, it is not available in the cylinder body of a standard 5mm [0.197in.] stroke cylinder.

Dimensions of Double Acting Double Rod Type (mm)

● Foot A mount BDAD Bore size × Stroke -1A



Type Code Bore mm [in.]	Standard cylinder				Cylinder with magnet																							
	A	C	D	AA	A	C	D	AA	B	G	H	I	J	K	L	N	O	T	U	V	W	AB	AC	AD	AF	AG	AH	AP
6 [0.236]	48	28	8	42	53	33	13	47	10	5	7	5.5	1.8	M3×0.5	6 ⁰ _{-0.05}	10	14	12	10.5	3	6.5	6	26	13	6	9	16	3.5
10 [0.394]	56	30	7	47	61	35	12	52	13	6	10	7	2.4	M4×0.7	8 ⁰ _{-0.05}	11.5	15	14		5		9	31	14	8	10	19	
16 [0.630]	63	33	8	53	68	38	13	58	15	7	12	8	3.2	M5×0.8	10 ⁰ _{-0.05}	12.5	19	20		6		7.5	10	41.5	17	12	12	

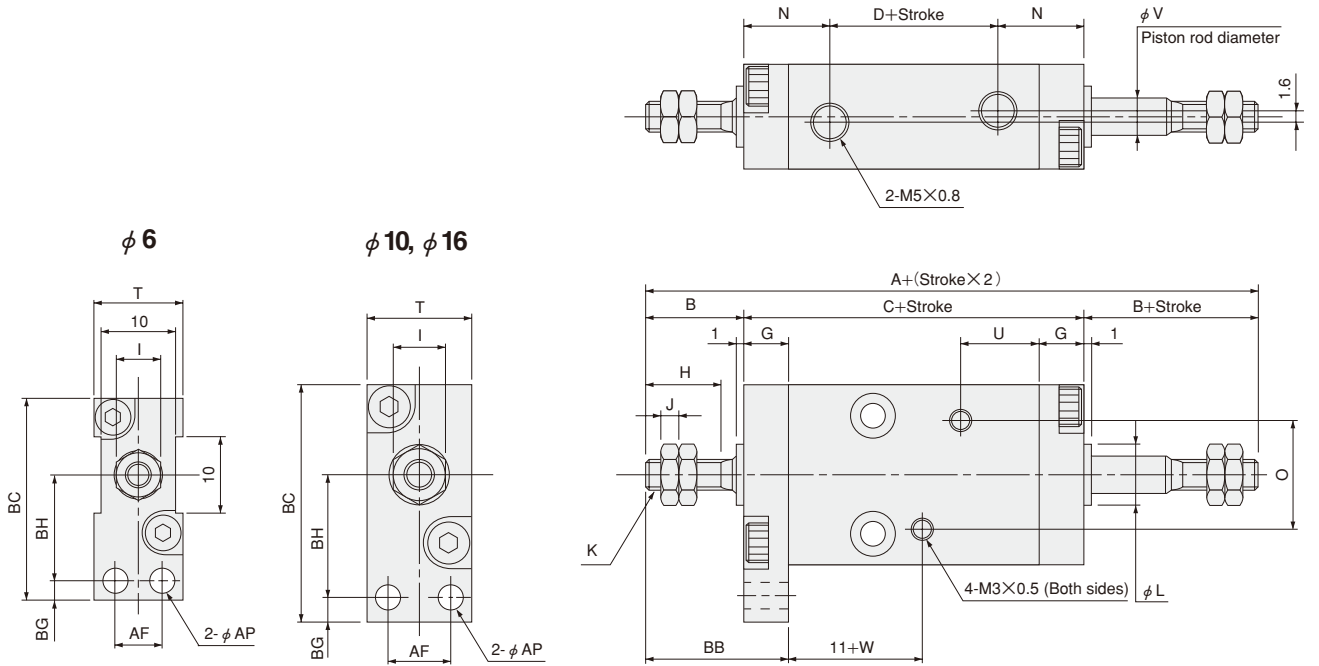
Note: The 4-M3 × 0.5 female thread (for sensor switch mounting) in the drawing should not be used for mounting the cylinder. Moreover, it is not available in the cylinder body of a standard 5mm [0.197in.] stroke cylinder.

Dimensions of Double Acting Double Rod Type (mm)

● Flange A mount BDAD Bore size × Stroke -3A

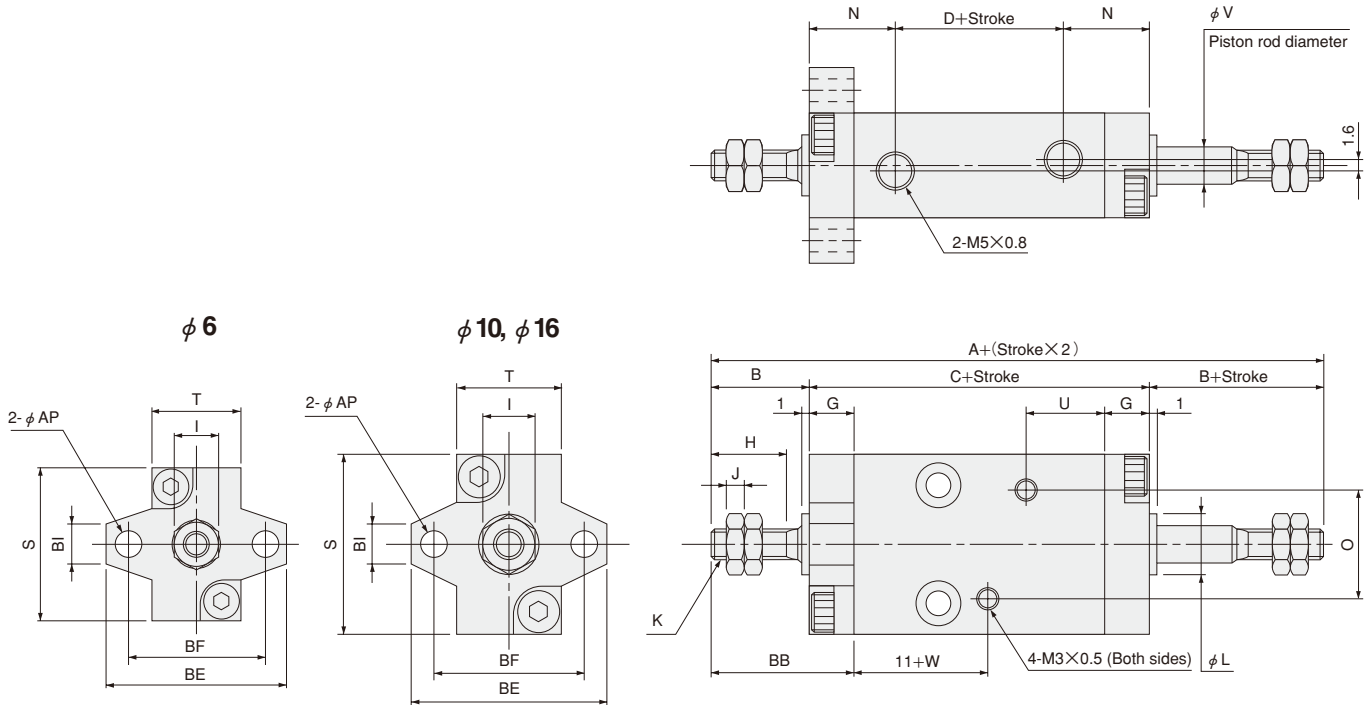
CAD BDAD- Bore size MULTI-3A

MULTI MOUNT CYLINDERS



● Flange B mount BDAD Bore size × Stroke -3B

CAD BDAD- Bore size MULTI-3B

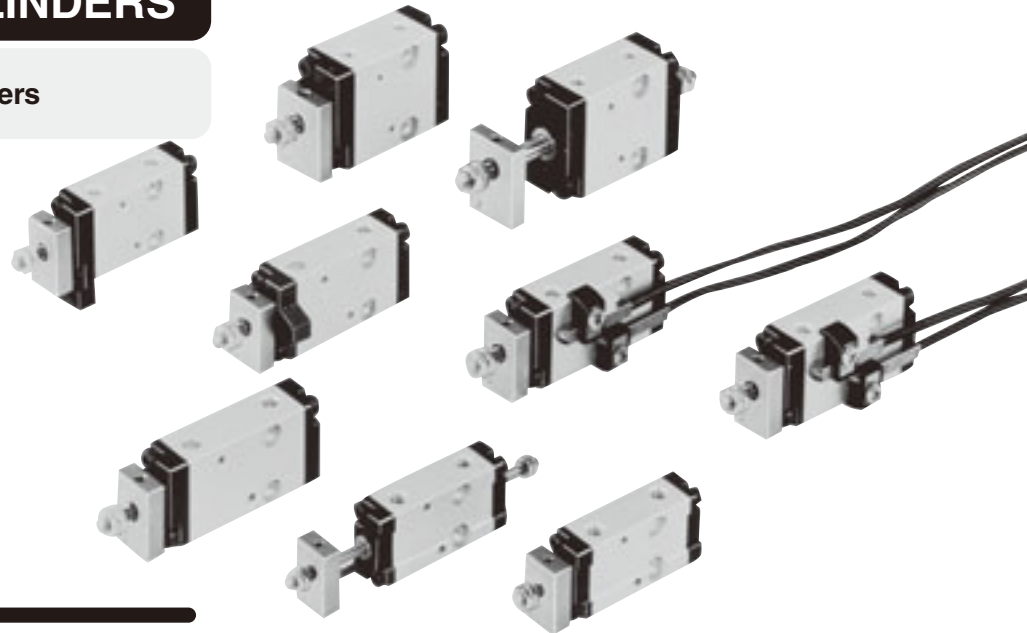


Type	Standard cylinder						Cylinder with magnet																							
	Code	A	C	D	A	C	D	B	G	H	I	J	K	L	N	O	S	T	U	V	W	AF	AP	BB	BC	BE	BF	BG	BH	BI
6 [0.236]	48	28	8	53	33	13	10	5	7	5.5	1.8	M3×0.5	6 ⁰ _{-0.05}	10	14	20	12		3	6.5	6	3.5	15	27.5	24	18	3.5	14		5
10 [0.394]	56	30	7	61	35	12	13	6	10	7	2.4	M4×0.7	8 ⁰ _{-0.05}	11.5	15	24	14	10.5	5		8		19	31.5	26	20		16		
16 [0.630]	63	33	8	68	38	13	15	7	12	8	3.2	M5×0.8	10 ⁰ _{-0.05}	12.5	19	33	20		6	7.5	12	4.5	22	42	36	28	4.5	21		6

Note: The 4-M3 × 0.5 female thread (for sensor switch mounting) in the drawing should not be used for mounting the cylinder. Moreover, it is not available in the cylinder body of a standard 5mm [0.197in.] stroke cylinder.

MULTI MOUNT CYLINDERS

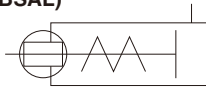
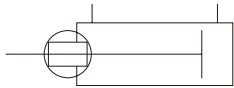
Non-rotating Cylinders



Symbols

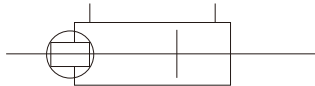
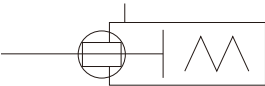
● Double acting type (BDAL)

● Single acting push type (BSAL)



● Single acting pull type (BTAL)

● Double acting double rod type (BDADL)



Cylinder Thrust

N [lbf.]

Bore size mm [in.]	Piston rod diameter mm [in.]	Operation type	Pressure area mm ² [in ²]	Air pressure MPa [psi.]							
				0.1 [15]	0.2 [29]	0.3 [44]	0.4 [58]	0.5 [73]	0.6 [87]	0.7 [102]	
6 [0.236]	3 [0.118]	Double acting type	Push side	28.2 [0.0437]	—	5.6 [1.26]	8.5 [1.91]	11.3 [2.54]	14.1 [3.17]	16.9 [3.80]	19.7 [4.43]
			Pull side	21.2 [0.0329]	—	4.2 [0.94]	6.4 [1.44]	8.5 [1.91]	10.6 [2.38]	12.7 [2.85]	14.8 [3.33]
		Single acting push type	—	28.2 [0.0437]	—	5.6 [1.26]	8.5 [1.91]	11.3 [2.54]	14.1 [3.17]	16.9 [3.80]	19.7 [4.43]
			—	21.2 [0.0329]	—	—	6.4 [1.44]	8.5 [1.91]	10.6 [2.38]	12.7 [2.85]	14.8 [3.33]
10 [0.394]	5 [0.197]	Double acting type	Push side	78.5 [0.1217]	7.9 [1.78]	15.7 [3.53]	23.6 [5.31]	31.4 [7.06]	39.3 [8.83]	47.1 [10.59]	55 [12.36]
			Pull side	58.9 [0.0913]	5.9 [1.33]	11.8 [2.65]	17.7 [3.98]	23.6 [5.31]	29.5 [6.63]	35.3 [7.94]	41.2 [9.26]
		Single acting push type	—	78.5 [0.1217]	—	15.7 [3.53]	23.6 [5.31]	31.4 [7.06]	39.3 [8.83]	47.1 [10.59]	55 [12.36]
			—	58.9 [0.0913]	—	11.8 [2.65]	17.7 [3.98]	23.6 [5.31]	29.5 [6.63]	35.3 [7.94]	41.2 [9.26]
16 [0.630]	6 [0.236]	Double acting type	Push side	201 [0.312]	20.1 [4.52]	40.2 [9.04]	60.3 [13.56]	80.4 [18.07]	100.5 [22.59]	120.6 [27.11]	140.7 [31.63]
			Pull side	172 [0.267]	17.2 [3.87]	34.4 [7.73]	51.6 [11.60]	68.8 [15.47]	86 [19.33]	103.2 [23.20]	120.4 [27.07]
		Single acting push type	—	201 [0.312]	—	40.2 [9.04]	60.3 [13.56]	80.4 [18.07]	100.5 [22.59]	120.6 [27.11]	140.7 [31.63]
			—	172 [0.267]	—	34.4 [7.73]	51.6 [11.60]	68.8 [15.47]	86 [19.33]	103.2 [23.20]	120.4 [27.07]

Note: For the double acting double rod type, see the double acting type pull side.

Spring Return Force (Only for Single Acting Type)

N [lbf.]



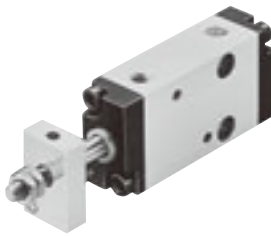

Bore size mm [in.]	Item Stroke mm	Zero stroke			End of stroke
		5	10	15	5, 10, 15
6 [0.236]		3.9 [0.88]	2.9 [0.65]	2.0 [0.45]	4.9 [1.10]
10 [0.394]		6.9 [1.55]	4.9 [1.10]	2.9 [0.65]	9.8 [2.20]
16 [0.630]		17.7 [3.98]	13.7 [3.08]	9.8 [2.20]	21.6 [4.86]

Specifications

Item		Bore size mm [in.]		
		6 [0.236]	10 [0.394]	16 [0.630]
Media		Air		
Operating pressure range MPa [psi.]	Double acting type	0.2~0.7 [29~102]	0.15~0.7 [22~102]	0.1~0.7 [15~102]
	Single acting push type	0.25~0.7 [36~102]	0.2~0.7 [29~102]	0.15~0.7 [22~102]
	Single acting pull type	0.35~0.7 [51~102]	0.25~0.7 [36~102]	0.2~0.7 [29~102]
	Double acting double rod type	0.2~0.7 [29~102]	0.15~0.7 [22~102]	0.1~0.7 [15~102]
Proof pressure	MPa [psi.]	1.03 [149]		
Operating temperature range	°C [°F]	0~60 [32~140]		
Operating speed range	mm/s [in./sec.]	50~500 [2.0~19.7]		
Cushion		Rubber bumper		
Lubrication		Not required (If lubrication is required, use Turbine Oil Class 1 [ISO VG32] or equivalent.)		
Non-rotating accuracy		±2°	±1.5°	±1°
Port size		M5×0.8		
Stroke tolerance	mm [in.]	+1 0 [+0.039 0]		

Operation Type, Bore Size, and Stroke

Operation type	Bore size	Standard strokes	
		mm	
Double acting type	6	5, 10, 15, 20, 25, 30	
	10		
	16		
Single acting push type Single acting pull type	6	5, 10, 15	
	10		
	16		
Double acting double rod type	6	5, 10, 15, 20, 25, 30	
	10		
	16		

Double acting type	Single acting push type	Single acting pull type	Double acting double rod type
Page where dimensions are shown _____ 117	Page where dimensions are shown _____ 119	Page where dimensions are shown _____ 121	Page where dimensions are shown _____ 123
			
BDAL	BSAL	BTAL	BDADL

Mass

Operation type	Bore size mm [in.]	Stroke mm	Mass of side mount		Double rod	Additional mass									
			Standard cylinder	Cylinder with magnet		With 1 sensor switch (including mounting bracket)				Rod side mounting bracket			Head side mounting bracket		
						ZC130	ZC153	CS5T	CS11T	Foot A mount	Flange A mount	Flange B mount	Foot A mount	Flange A mount	Flange B mount
Double acting type	6 [0.236]	5	31 [1.09]	34 [1.20]	4 [0.14]	20 [0.71]	10 [0.35]	1 [0.04]	1 [0.04]	15 [0.53]	5 [0.18]	5 [0.18]			
		10	34 [1.20]	37 [1.31]											
		15	37 [1.31]	40 [1.41]											
		20	40 [1.41]	43 [1.52]											
		25	43 [1.52]	46 [1.62]											
		30	46 [1.62]	49 [1.73]											
	10 [0.394]	5	51 [1.80]	57 [2.01]	8 [0.28]	20 [0.71]	16 [0.56]	2 [0.07]	2 [0.07]	24 [0.85]	8 [0.28]	8 [0.28]			
		10	55 [1.94]	61 [2.15]											
		15	59 [2.08]	65 [2.29]											
		20	63 [2.22]	69 [2.43]											
		25	67 [2.36]	73 [2.57]											
		30	71 [2.50]	77 [2.72]											
	16 [0.630]	5	104 [3.67]	117 [4.13]	16 [0.56]	20 [0.71]	33 [1.16]	4 [0.14]	4 [0.14]	53 [1.87]	17 [0.60]	17 [0.60]			
		10	111 [3.92]	124 [4.37]											
		15	118 [4.16]	131 [4.62]											
		20	125 [4.41]	138 [4.87]											
		25	132 [4.66]	145 [5.11]											
		30	139 [4.90]	152 [5.36]											
Single acting push type	6 [0.236]	5	35 [1.23]	38 [1.34]	—	20 [0.71]	—	1 [0.04]	1 [0.04]	15 [0.53]	5 [0.18]	5 [0.18]			
		10	38 [1.34]	41 [1.45]											
		15	41 [1.45]	44 [1.55]											
	10 [0.394]	5	57 [2.01]	63 [2.22]	—	20 [0.71]	—	2 [0.07]	2 [0.07]	24 [0.85]	8 [0.28]	8 [0.28]			
		10	61 [2.15]	67 [2.36]											
		15	65 [2.29]	71 [2.50]											
	16 [0.630]	5	115 [4.06]	128 [4.51]	—	20 [0.71]	—	4 [0.14]	4 [0.14]	53 [1.87]	17 [0.60]	17 [0.60]			
		10	122 [4.30]	135 [4.76]											
		15	129 [4.55]	142 [5.01]											
Single acting pull type	6 [0.236]	5	37 [1.31]	40 [1.41]	—	20 [0.71]	—	1 [0.04]	1 [0.04]	15 [0.53]	5 [0.18]	5 [0.18]			
		10	40 [1.41]	43 [1.52]											
		15	43 [1.52]	46 [1.62]											
	10 [0.394]	5	60 [2.12]	66 [2.33]	—	20 [0.71]	—	2 [0.07]	2 [0.07]	24 [0.85]	8 [0.28]	8 [0.28]			
		10	64 [2.26]	70 [2.47]											
		15	68 [2.40]	74 [2.61]											
	16 [0.630]	5	125 [4.41]	138 [4.87]	—	20 [0.71]	—	4 [0.14]	4 [0.14]	53 [1.87]	17 [0.60]	17 [0.60]			
		10	132 [4.66]	145 [5.11]											
		15	139 [4.90]	152 [5.36]											

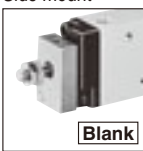
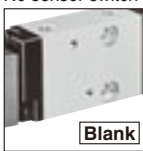
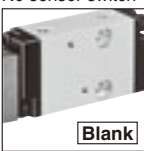



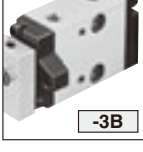

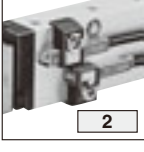


Note: Can be installed only on the opposite the rod side with the non-rotation plate of a double rod cylinder.

Calculation example: To add 2 sensor switches to the cylinder with magnet, double acting type BDALS10×20,
 $69 + (20 \times 2) = 109\text{g}$ [3.84oz.]

Remark: There are 2 types of sensor switch lead wire lengths.

A: 1000mm [39in.], B: 3000mm [118in.]

Order Codes for Non-rotating Cylinders

Cylinder specification	System (Made to order)	Mounting type (Rod side)	Sensor switch	Lead wire length	Number of Sensor switches
Blank: Standard cylinder ^{Note1} S: Cylinder with magnet	Blank: Standard specifications NCU: Non-ion specification ● With countermeasure for non-generating copper ion ● Made to order	Side mount  Blank	No sensor switch  Blank	A: 1000mm [39in.] B: 3000mm [118in.]	No sensor switch  Blank
		Flange A mount  -3A	With ZC130  -ZC130 ● Solid state type ● With indicator lamp ● DC10~28V ● 2-lead wire		With 1 sensor switch  1
		Flange B mount^{Note2}  -3B	With CS5T  -CS5T ● Reed switch type ● Without indicator lamp ● DC5~28V ● AC85~115V		With 2 sensor switches  2
			With ZC153  -ZC153 ● Solid state type ● With indicator lamp ● DC4.5~28V ● 3-lead wire		
			With CS11T  -CS11T ● Reed switch type ● With indicator lamp ● DC10~28V		

Basic type	Bore size × Stroke						
Double acting type: BDAL Single acting push type: BSAL Single acting pull type: BTAL Double acting double rod type: BDADL	S	×	-NCU	-3A -3B	-ZC130 -ZC153 -CS5T -CS11T	A B	1 2

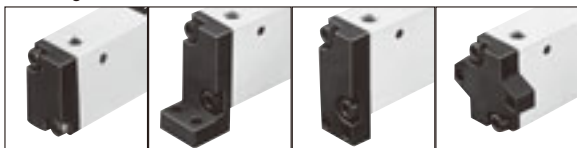
Notes: 1. The magnet for the sensor switch is not built in. Always use the cylinder with magnet when using the sensor switch.
 2. Two sensor switches cannot be mounted on a cylinder with flange B mount. Mount 1 sensor switch on the head side when the flange B mount is used on the rod side, and mount 1 sensor switch on the rod side when the flange B mount is used on the head side.

Remark: For the cylinder joint and cylinder rod end mounted on the piston rod end, see p.1568.

- See table for operation type, bore size and stroke.
- Order the head side mounting bracket separately. Cannot be ordered as already assembled the mount on the cylinder.
- For the order codes of mounting brackets only, see p.125.
- For the order codes of sensor switches only, see p.126.
- In the 5mm [0.197in.] cylinder strokes, 1 sensor switch installation is standard for CS5T and CS11T. When mounting 2 units, use the solid state type.
- For details, see p.1544.
- In the 5mm [0.197in.] cylinder strokes, 1 sensor switch is standard for the reed switch type (CS5T, CS11T).

Additional Parts (To be ordered separately)

Mounting brackets



- Side mount (Head cover)
- Foot A mount
- Flange A mount
- Flange B mount
- The photographs above show head side mounting brackets.
- For the order codes, see p.125.
- Comes with 2 mounting screws.

Shield plate



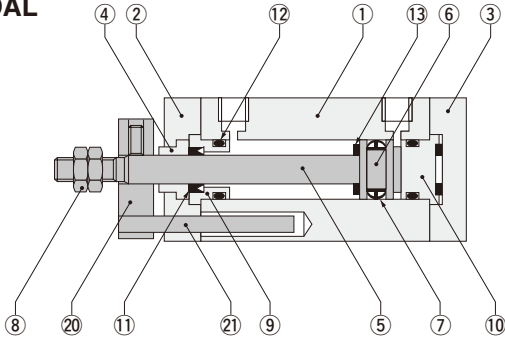
- For cylinder with magnet.
- For the order code, see p.128.
- Comes with 2 mounting screws.

Operation Type, Bore Size, and Stroke mm

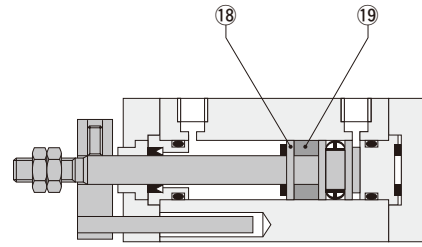
Operation type	Bore size	Standard strokes
Double acting type	6	5, 10, 15, 20, 25, 30
	10	
	16	
Single acting push type Single acting pull type	6	5, 10, 15
	10	
	16	
Double acting double rod type	6	5, 10, 15, 20, 25, 30
	10	
	16	

Inner Construction and Major Parts

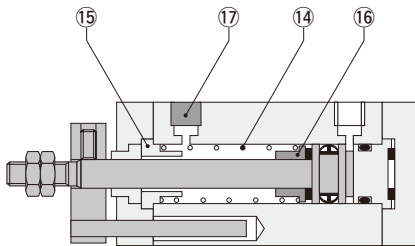
● Double acting type BDAL



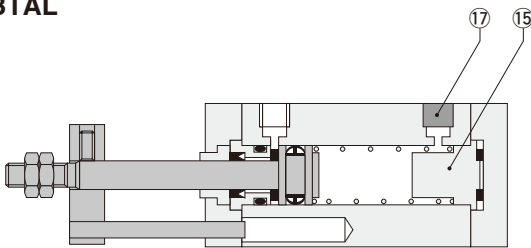
● Cylinder with magnet double acting type BDALS



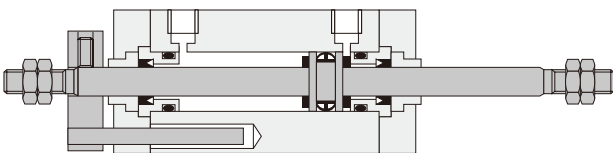
● Single acting push type BSAL



● Single acting pull type BTAL



● Double acting double rod type BDADL



Major Parts and Materials

No.	Parts	Materials	
		Standard specification	Non-ion specification
①	Body	Aluminum alloy (anodized)	←
②	Rod cover ^{Note}	Aluminum alloy (black anodized)	←
③	Head cover ^{Note}	PBT	Aluminum alloy (black anodized)
④	Rod bushing	Oil impregnated bronze	Special steel
⑤	Piston rod	Stainless steel	←
⑥	Piston	Brass	Aluminum
⑦	Piston seal	Synthetic rubber(NBR)	←
⑧	Rod end nut	Steel (electric nickel plated)	←
⑨	Seal case	Brass	Special steel
⑩	Cap	Polyacetal	←
⑪	Rod seal	Synthetic rubber (NBR)	←
⑫	O-ring	Synthetic rubber (NBR)	←
⑬	Bumper	Urethane rubber	←
⑭	Spring	Steel (zinc plated)	←
⑮	Spring holder	Brass	Aluminum
⑯	Collar	Brass	Aluminum
⑰	Filter	Foamed metal	←
⑱	Support	Brass	Aluminum
⑲	Magnet	φ 6: Sintered alloy magnet φ 10, φ 16: Plastic magnet	←
⑳	Plate	Brass (electric nickel plated)	Steel (nickel plated)
㉑	Guide pin	Stainless steel	←

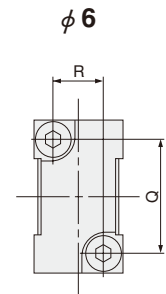
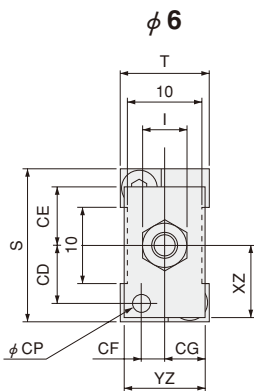
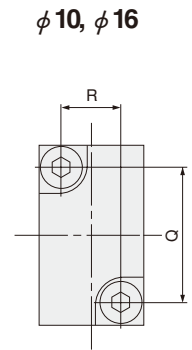
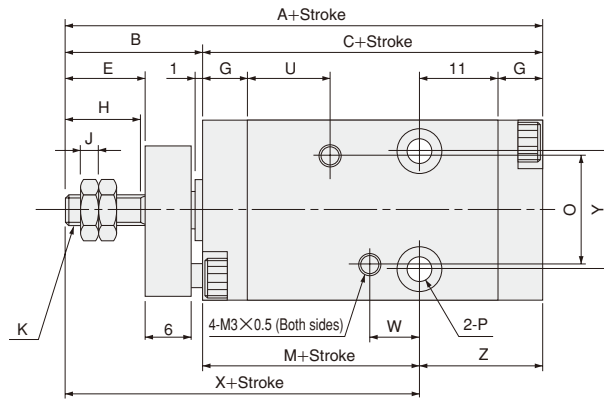
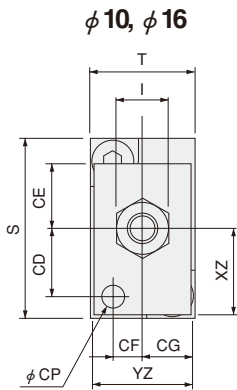
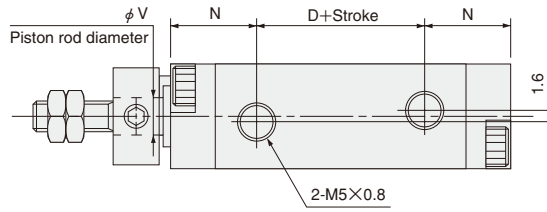
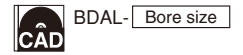
Note: Only the foot A mount is steel (black zinc plated).

Seals

Parts	Rod seal	Piston seal	O-ring
Bore size mm [in.]			
6 [0.236]	NY-6×3×2	COP-6L	8.4×6×1.2
10 [0.394]	NY-8×5×2	COP-10L	10×7.6×1.2
16 [0.630]	NY-9×6×2	COP-16L	16×13×1.5

Dimensions of Non-rotating Double Acting Type (mm)

● Side mount BDAL Bore size × Stroke



Type	Standard cylinder					Cylinder with magnet					B	E	G	H	I	J	K	L	N	O	P	Q	R	S	T	U	V	W	Y	Z
	Code	A	C	D	M	X	A	C	D	M																				
6 [0.236]	43	28	8	12	27	48	33	13	17	32	15	7.5	5	7	5.5	1.8	M3×0.5	6 _{-0.05} ⁰	10	14	φ 3.5 Counterbore φ 6 Depth 4.2 (Both sides)	15	7	20	12		3	6.5	12	16
10 [0.394]	48	30	7	13	31	53	35	12	18	36	18	10.5	6	10	7	2.4	M4×0.7	8 _{-0.05} ⁰	11.5	15	φ 3.5 Counterbore φ 6 Depth 3.2 (Both sides)	18	8	24	14	10.5	5		16	17
16 [0.630]	53	33	8	15	35	58	38	13	20	40	20	12.5	7	12	8	3.2	M5×0.8	10 _{-0.05} ⁰	12.5	19	φ 4.5 Counterbore φ 7.6 Depth 4.2 (Both sides)	25	12	33	20		6	7.5	24	18

Code	CD	CE	CF	CG	CP	XZ	YZ
6 [0.236]	7.5	7.5	3.5	5.5	2.5	9.5	11
10 [0.394]	9	8.5	4	6.5	3	11.5	13
16 [0.630]	12.5	9	6	9.5	4	16	19

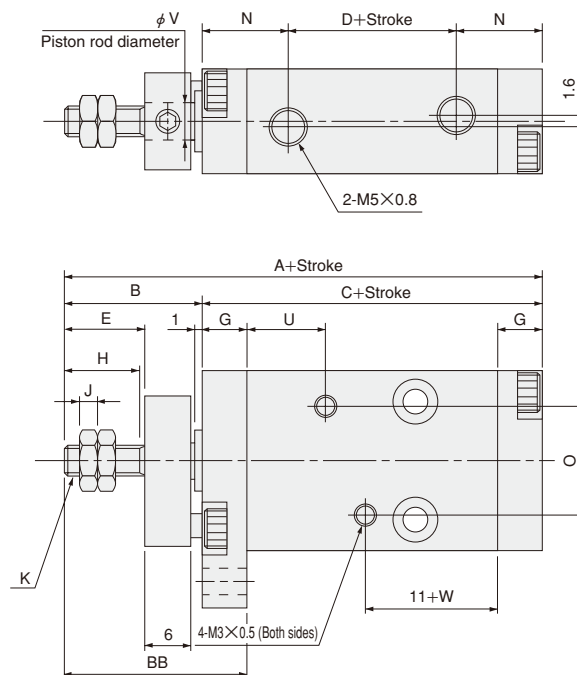
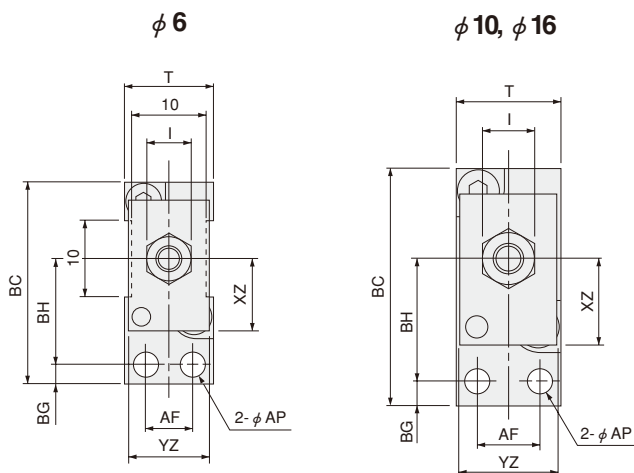
Note: The 4-M3 × 0.5 female thread (for sensor switch mounting) in the drawing should not be used for mounting the cylinder. Moreover, it is not available in the cylinder body of a standard 5mm [0.197in.] stroke cylinder.

Dimensions of Non-rotating Double Acting Type (mm)

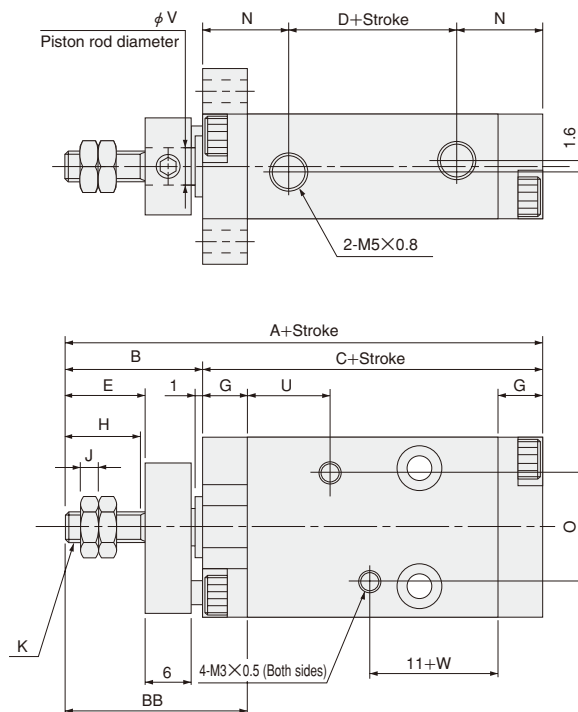
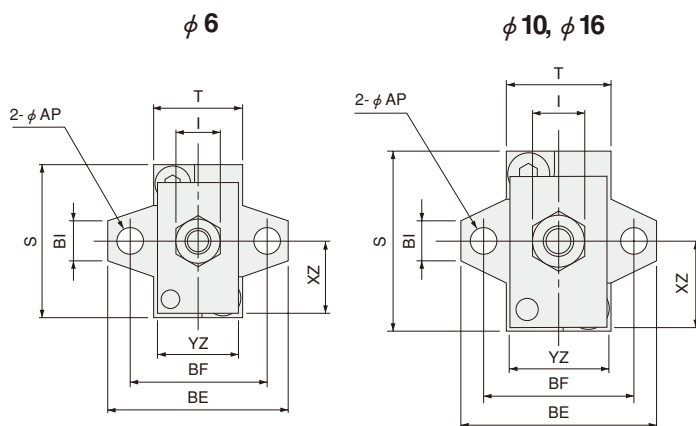
● Flange A mount BDAL Bore size × Stroke -3A



MULTI MOUNT CYLINDERS



● Flange B mount BDAL Bore size × Stroke -3B

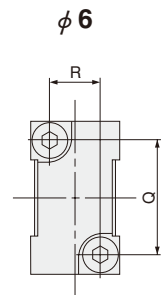
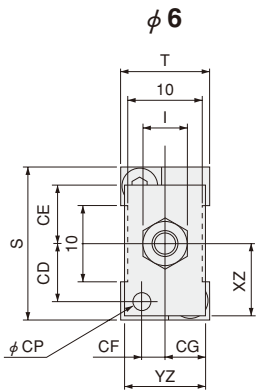
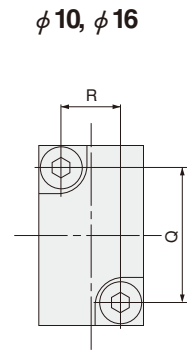
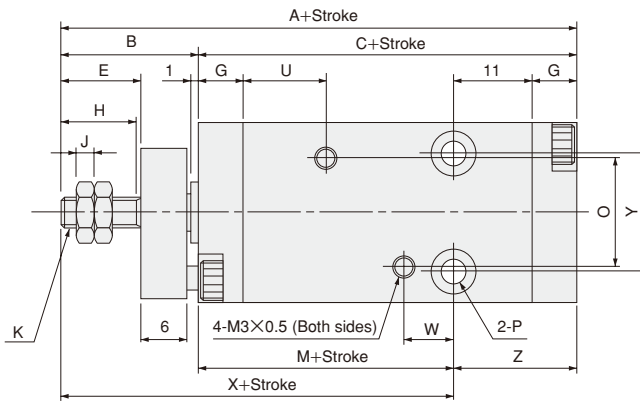
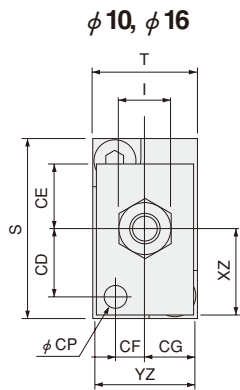
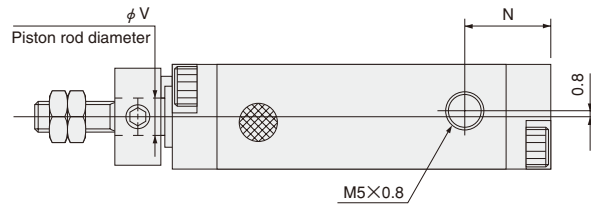
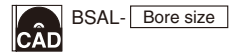


Type	Standard cylinder						Cylinder with magnet																														
	Code		A	C	D		A	C	D		B	E	G	H	I	J	K	L	N	O	S	T	U	V	W	AF	AP	BB	BC	BE	BF	BG	BH	BI	XZ	YZ	
6 [0.236]	43	28	8	48	33	13	15	7.5	5	7	5.5	1.8	M3×0.5	6 ⁰ _{-0.05}	10	14	20	12					3	6.5	6	3.5	20	27.5	24	18			3.5	14	5	9.5	11
10 [0.394]	48	30	7	53	35	12	18	10.5	6	10	7	2.4	M4×0.7	8 ⁰ _{-0.05}	11.5	15	24	14	10.5				5	8	8	24	31.5	26	20			16			11.5	13	
16 [0.630]	53	33	8	58	38	13	20	12.5	7	12	8	3.2	M5×0.8	10 ⁰ _{-0.05}	12.5	19	33	20				6	7.5	12	4.5	27	42	36	28	4.5	21	6	16	19			

Note: The 4-M3 × 0.5 female thread (for sensor switch mounting) in the drawing should not be used for mounting the cylinder. Moreover, it is not available in the cylinder body of a standard 5mm [0.197in.] stroke cylinder.

Dimensions of Non-rotating Single Acting Push Type (mm)

● Side mount BSAL Bore size × Stroke



Type	Standard cylinder				Cylinder with magnet																										
Code	A	C	M	X	A	C	M	X	B	E	G	H	I	J	K	N	O	P				Q	R	S	T	U	V	W	Y	Z	
Bore mm [in.]																															
6 [0.236]	48	33	17	32	53	38	22	37	15	7.5	5	7	5.5	1.8	M3×0.5	10	14	φ 3.5 Counterbore φ 6 Depth4.2 (Both sides)				15	7	20	12		3			12	16
10 [0.394]	53	35	18	36	58	40	23	41	18	10.5	6	10	7	2.4	M4×0.7	11.5	15	φ 3.5 Counterbore φ 6 Depth3.2 (Both sides)				18	8	24	14	10.5	5	6.5		16	17
16 [0.630]	58	38	20	40	63	43	25	45	20	12.5	7	12	8	3.2	M5×0.8	12.5	19	φ 4.5 Counterbore φ 7.6 Depth4.2 (Both sides)				25	12	33	20		6	7.5		24	18

Code	CD	CE	CF	CG	CP	XZ	YZ
Bore mm [in.]							
6 [0.236]	7.5	7.5	3.5	5.5	2.5	9.5	11
10 [0.394]	9	8.5	4	6.5	3	11.5	13
16 [0.630]	12.5	9	6	9.5	4	16	19

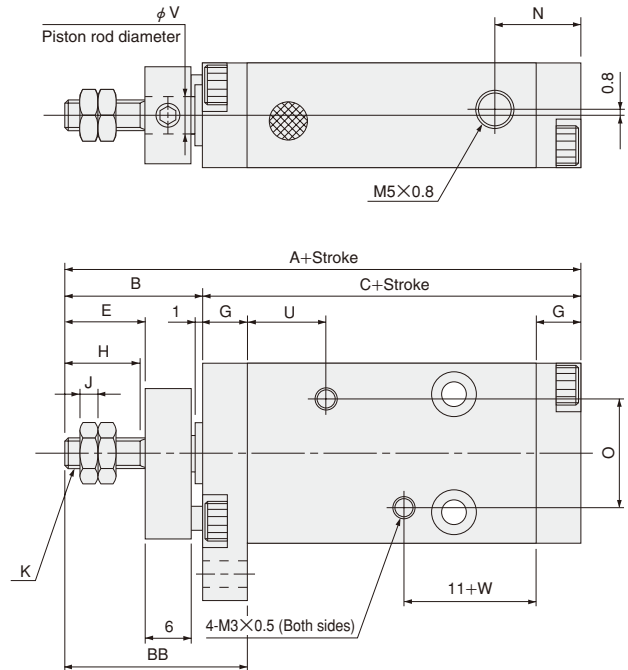
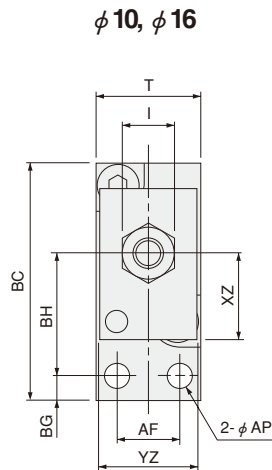
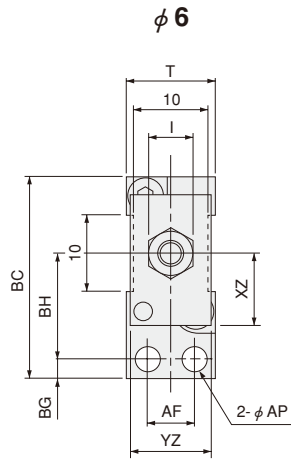
Note: The 4-M3 × 0.5 female thread (for sensor switch mounting) in the drawing should not be used for mounting the cylinder. Moreover, it is not available in the cylinder body of a standard 5mm [0.197in.] stroke cylinder.

Dimensions of Non-rotating Single Acting Push Type (mm)

● Flange A mount BSAL Bore size × Stroke -3A

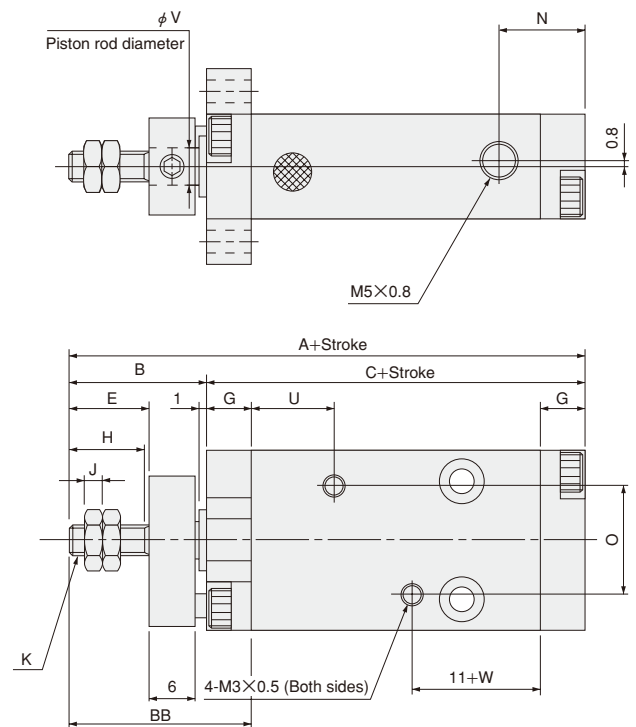
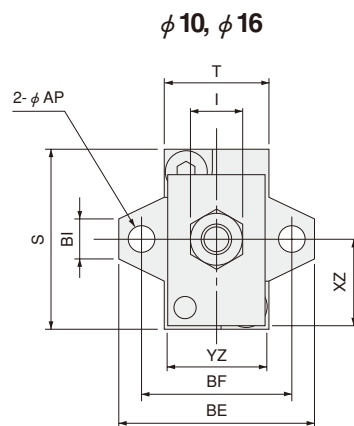
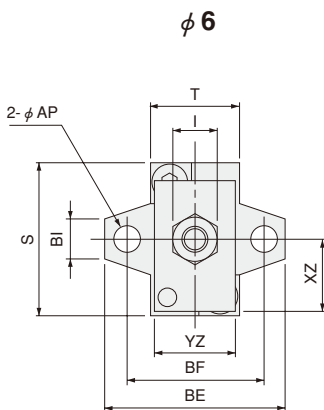
CAD BSAL- Bore size
MULTI-3A

MULTI MOUNT CYLINDERS



● Flange B mount BSAL Bore size × Stroke -3B

CAD BSAL- Bore size
MULTI-3B

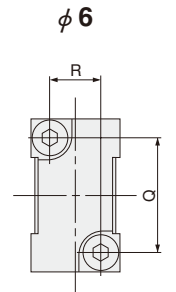
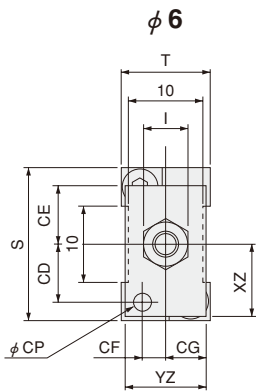
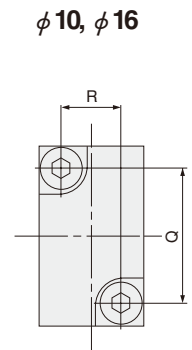
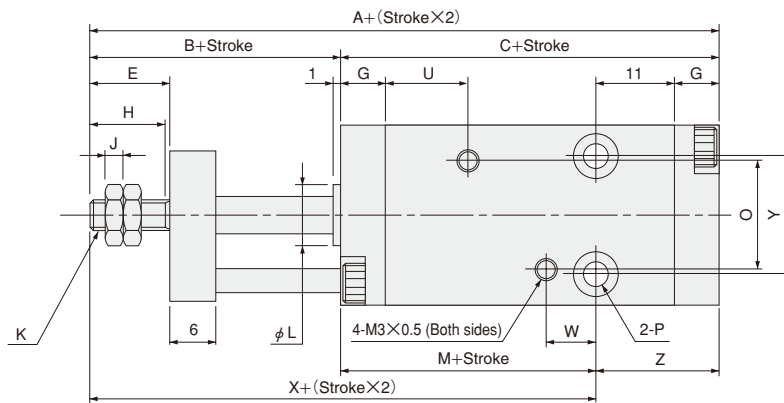
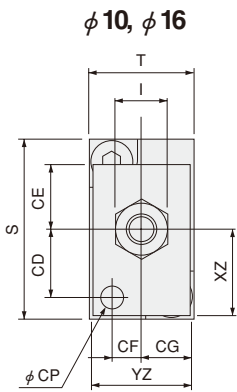
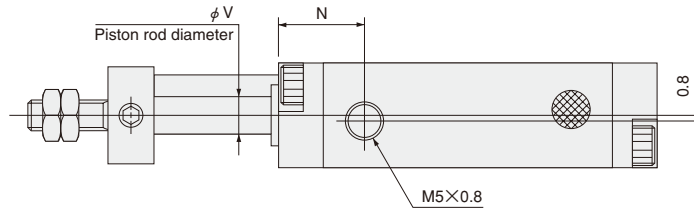


Type	Standard cylinder		Cylinder with magnet		B	E	G	H	I	J	K	N	O	S	T	U	V	W	AF	AP	BB	BC	BE	BF	BG	BH	BI	XZ	YZ
	Code	A	C	A																									
6 [0.236]	48	33	53	38	15	7.5	5	7	5.5	1.8	M3×0.5	10	14	20	12		3	6.5	6	3.5	20	27.5	24	18	3.5	14	5	9.5	11
10 [0.394]	53	35	58	40	18	10.5	6	10	7	2.4	M4×0.7	11.5	15	24	14	10.5	5	8	4	24	31.5	26	20	16				11.5	13
16 [0.630]	58	38	63	43	20	12.5	7	12	8	3.2	M5×0.8	12.5	19	33	20		6	7.5	12	4.5	27	42	36	28	4.5	21	6	16	19

Note: The 4-M3 × 0.5 female thread (for sensor switch mounting) in the drawing should not be used for mounting the cylinder. Moreover, it is not available in the cylinder body of a standard 5mm [0.197in.] stroke cylinder.

Dimensions of Non-rotating Single Acting Pull Type (mm)

● Side mount BTAL Bore size × Stroke




Type	Standard cylinder				Cylinder with magnet																											
Code	A	C	M	X	A	C	M	X	B	E	G	H	I	J	K	L	N	O	P				Q	R	S	T	U	V	W	Y	Z	
Bore mm [in.]																																
6 [0.236]	48	33	17	32	53	38	22	37	15	7.5	5	7	5.5	1.8	M3×0.5	6 ⁰ _{-0.05}	10	14	φ 3.5 Counterbore φ 6 Depth:2 (Both sides)				15	7	20	12		3	6.5	12	16	
10 [0.394]	53	35	18	36	58	40	23	41	18	10.5	6	10	7	2.4	M4×0.7	8 ⁰ _{-0.05}	11.5	15	φ 3.5 Counterbore φ 6 Depth:2 (Both sides)				18	8	24	14	10.5	5				
16 [0.630]	58	38	20	40	63	43	25	45	20	12.5	7	12	8	3.2	M5×0.8	10 ⁰ _{-0.05}	12.5	19	φ 4.5 Counterbore φ 7.6 Depth:2 (Both sides)				25	12	33	20		6	7.5	24	18	

Code	CD	CE	CF	CG	CP	XZ	YZ
Bore mm [in.]							
6 [0.236]	7.5	7.5	3.5	5.5	2.5	9.5	11
10 [0.394]	9	8.5	4	6.5	3	11.5	13
16 [0.630]	12.5	9	6	9.5	4	16	19

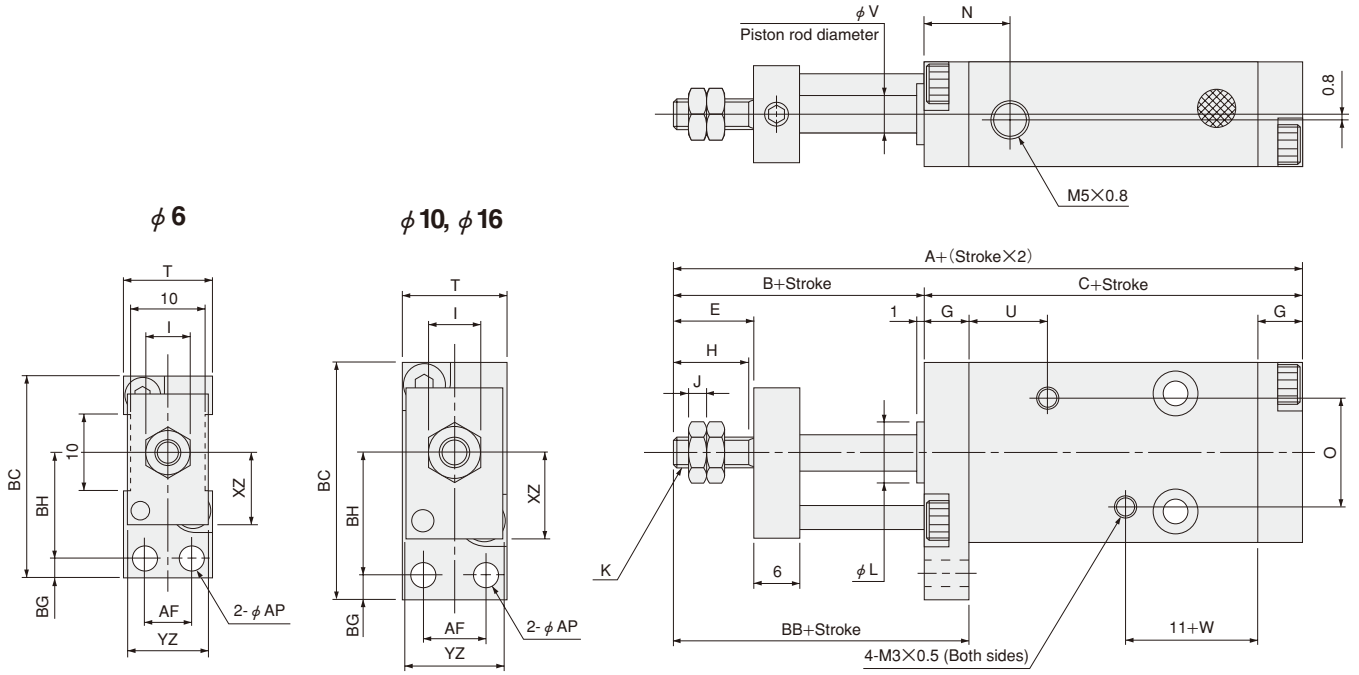
Note: The 4-M3 × 0.5 female thread (for sensor switch mounting) in the drawing should not be used for mounting the cylinder. Moreover, it is not available in the cylinder body of a standard 5mm [0.197in.] stroke cylinder.

Dimensions of Non-rotating Single Acting Pull Type (mm)


● Flange A mount BTAL Bore size × Stroke -3A

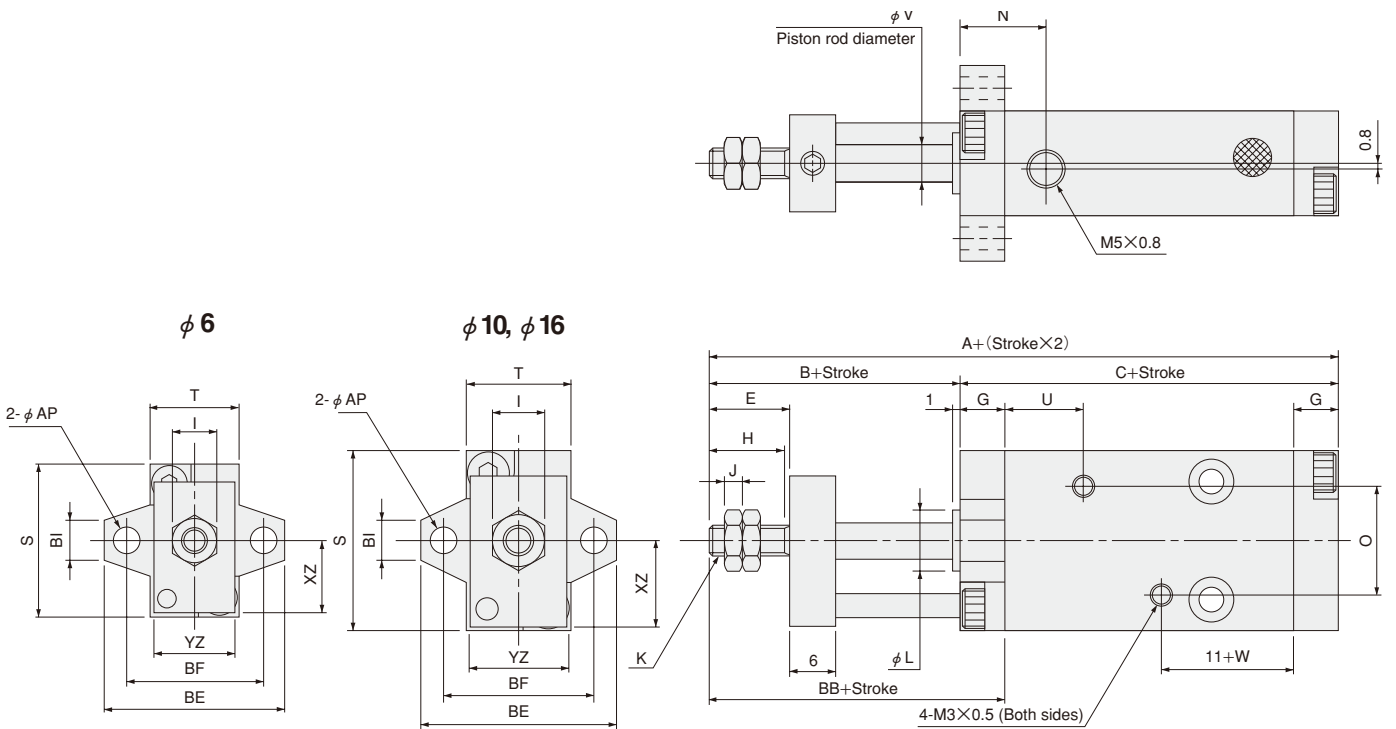
 BTAL- Bore size
MULTI-3A

MULTI MOUNT CYLINDERS



● Flange B mount BTAL Bore size × Stroke -3B

 BTAL- Bore size
MULTI-3B

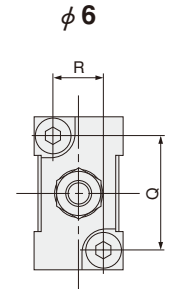
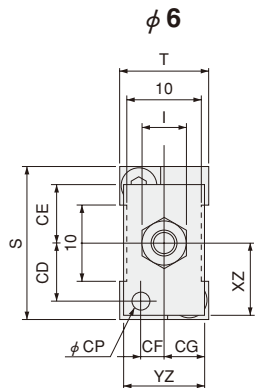
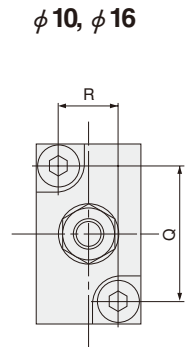
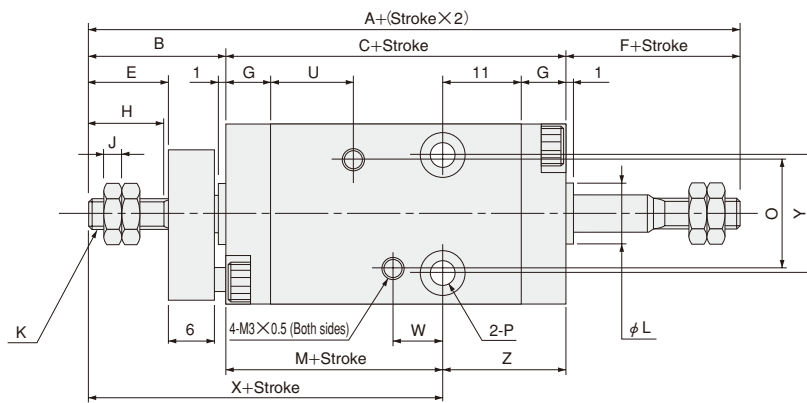
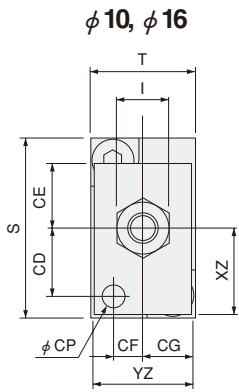
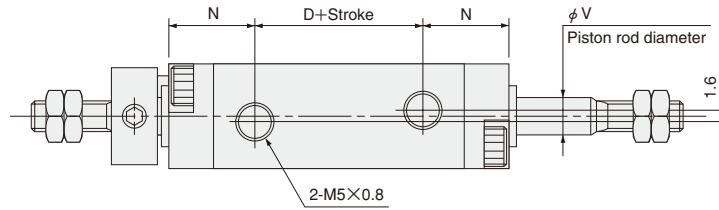
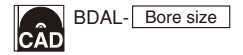


Type	Standard cylinder		Cylinder with magnet		B	E	G	H	I	J	K	L	N	O	S	T	U	V	W	AF	AP	BB	BC	BE	BF	BG	BH	BI	XZ	YZ
	Code	A	C	A																										
6 [0.236]	48	33	53	38	15	7.5	5	7	5.5	1.8	M3×0.5	6 ₀ ^{-0.05}	10	14	20	12		3	6.5	6	3.5	20	27.5	24	18	3.5	14	5	9.5	11
10 [0.394]	53	35	58	40	18	10.5	6	10	7	2.4	M4×0.7	8 ₀ ^{-0.05}	11.5	15	24	14	10.5	5	8	8	24	31.5	26	20		16		11.5	13	
16 [0.630]	58	38	63	43	20	12.5	7	12	8	3.2	M5×0.8	10 ₀ ^{-0.05}	12.5	19	33	20		6	7.5	12	4.5	27	42	36	28	4.5	21	6	16	19

Note: The 4-M3 × 0.5 female thread (for sensor switch mounting) in the drawing should not be used for mounting the cylinder. Moreover, it is not available in the cylinder body of a standard 5mm [0.197in.] stroke cylinder.

Dimensions of Non-rotating Double Acting Double Rod Type (mm)

● Side mount BDADL Bore size Stroke



Type	Standard cylinder					Cylinder with magnet																													
Code	A	C	D	M	X	A	C	D	M	X	B	E	F	G	H	I	J	K	L	N	O	P					Q	R	S	T	U	V	W	Y	Z
Bore mm [in.]																																			
6 [0.236]	53	28	8	12	27	58	33	13	17	32	15	7.5	10	5	7	5.5	1.8	M3×0.5	6 ⁰ _{-0.05}	10	14	φ3.5 Counterbore φ6 Depth4.2 (Both sides)					15	7	20	12		3	6.5	12	16
10 [0.394]	61	30	7	13	31	66	35	12	18	36	18	10.5	13	6	10	7	2.4	M4×0.7	8 ⁰ _{-0.05}	11.5	15	φ3.5 Counterbore φ6 Depth3.2 (Both sides)					18	8	24	14	10.5	5		16	17
16 [0.630]	68	33	8	15	35	73	38	13	20	40	20	12.5	15	7	12	8	3.2	M5×0.8	10 ⁰ _{-0.05}	12.5	19	φ4.5 Counterbore φ7.6 Depth4.2 (Both sides)					25	12	33	20		6	7.5	24	18

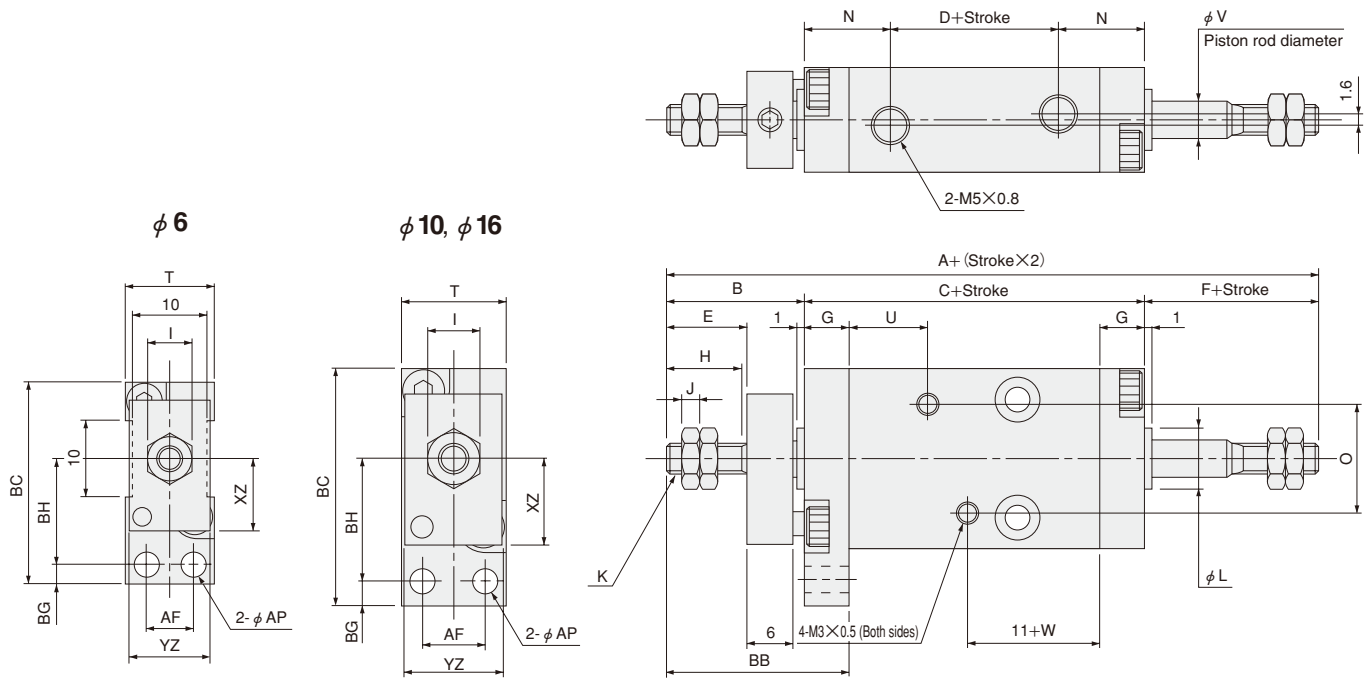
Code	CD	CE	CF	CG	CP	XZ	YZ
Bore mm [in.]							
6 [0.236]	7.5	7.5	3.5	5.5	2.5	9.5	11
10 [0.394]	9	8.5	4	6.5	3	11.5	13
16 [0.630]	12.5	9	6	9.5	4	16	19

Note: The 4-M3 × 0.5 female thread (for sensor switch mounting) in the drawing should not be used for mounting the cylinder. Moreover, it is not available in the cylinder body of a standard 5mm [0.197in.] stroke cylinder.

Dimensions of Non-rotating Double Acting Double Rod Type (mm)

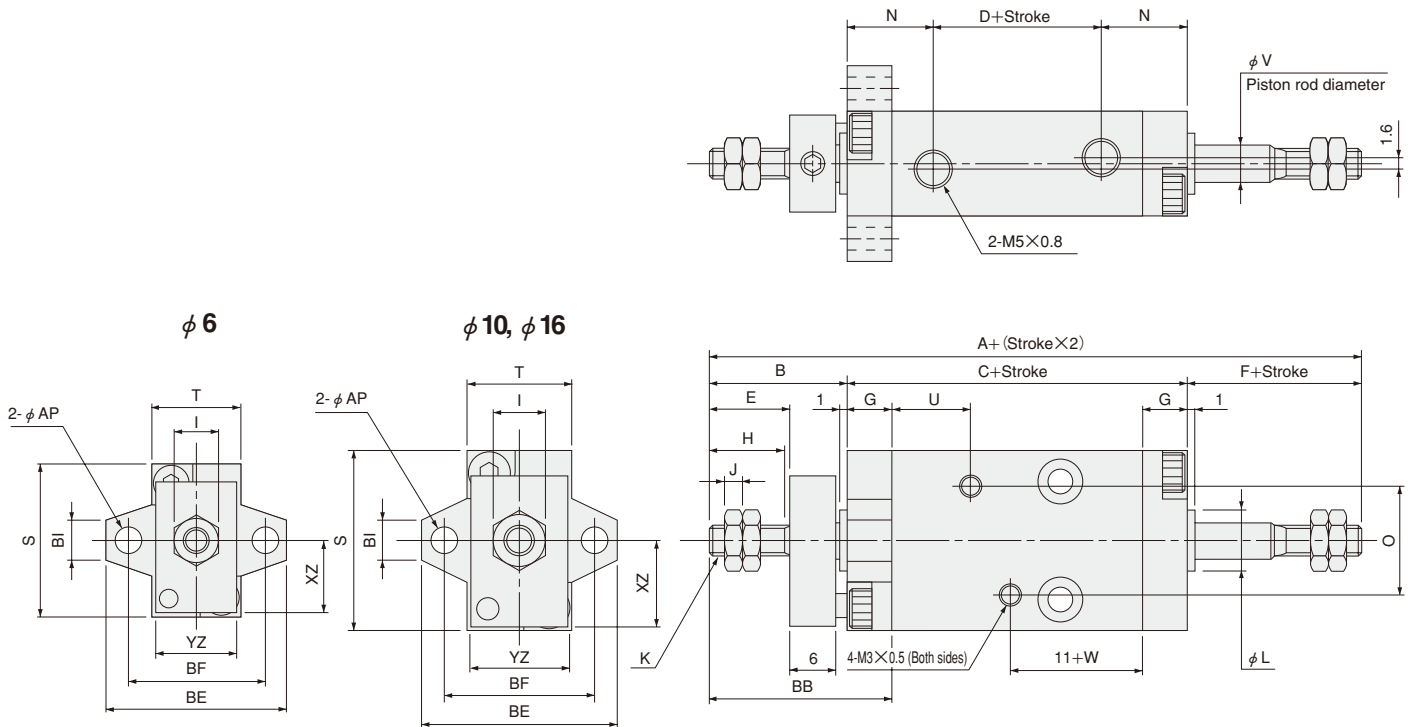
● Flange A mount BDADL Bore size × Stroke -3A

CAD BDADL- Bore size MULTI-3A



● Flange B mount BDADL Bore size × Stroke -3B

CAD BDADL- Bore size MULTI-3B

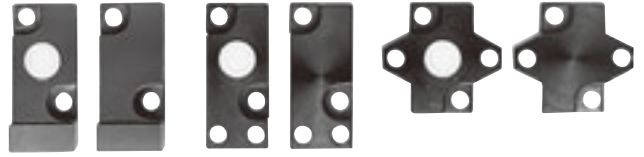


Type	Standard cylinder			Cylinder with magnet			B	E	F	G	H	I	J	K	L	N	O	S	T	U	V	W	AF	AP	BB	BC	BE	BF	BG	BH	BI	XY	YZ
	Code	A	C	D	A	C																											
6 [0.236]	53	28	8	58	33	13	15	7.5	10	5	7	5.5	1.8	M3×0.5	6 ⁰ _{-0.05}	10	14	20	12	3	6.5	6	3.5	20	27.5	24	18	3.5	14	5	9.5	11	
10 [0.394]	61	30	7	66	35	12	18	10.5	13	6	10	7	2.4	M4×0.7	8 ⁰ _{-0.05}	11.5	15	24	14	10.5	5	8	24	31.5	26	20	3.5	16	6	11.5	13		
16 [0.630]	68	33	8	73	38	13	20	12.5	15	7	12	8	3.2	M5×0.8	10 ⁰ _{-0.05}	12.5	19	33	20	6	7.5	12	4.5	27	42	36	28	4.5	21	6	16	19	

Note: The 4-M3 × 0.5 female thread (for sensor switch mounting) in the drawing should not be used for mounting the cylinder. Moreover, it is not available in the cylinder body of a standard 5mm [0.197in.] stroke cylinder.

MOUNTING BRACKETS

Rod Side Mounting Bracket,
Head Side Mounting Bracket

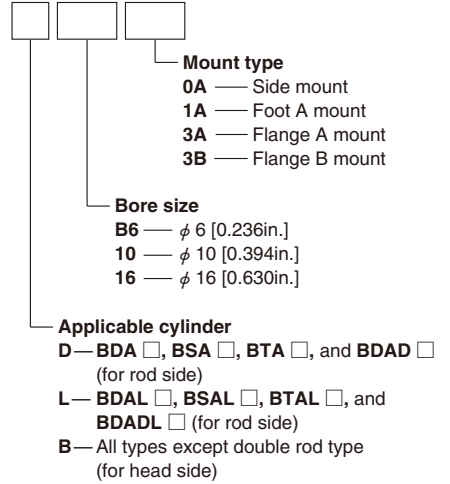


Mounting Bracket Model (Order Codes)

Mounting location	Cylinder model	Bore size mm [in.]	Mounting brackets			
			Side mount	Foot A mount	Flange A mount	Flange B mount
Rod side	BDA □	6 [0.236]	DB60A	DB61A	DB63A	DB63B
	BSA □	10 [0.394]	D100A	D101A	D103A	D103B
	BTA □	16 [0.630]	D160A	D161A	D163A	D163B
	BDAD □	6 [0.236]	LB60A	—	LB63A	LB63B
	BDAL □	10 [0.394]	L100A	—	L103A	L103B
	BTAL □	16 [0.630]	L160A	—	L163A	L163B
Head side	All types except double rod type	6 [0.236]	BB60A	BB61A	BB63A	BB63B
		10 [0.394]	B100A	B101A	B103A	B103B
		16 [0.630]	B160A	B161A	B163A	B163B

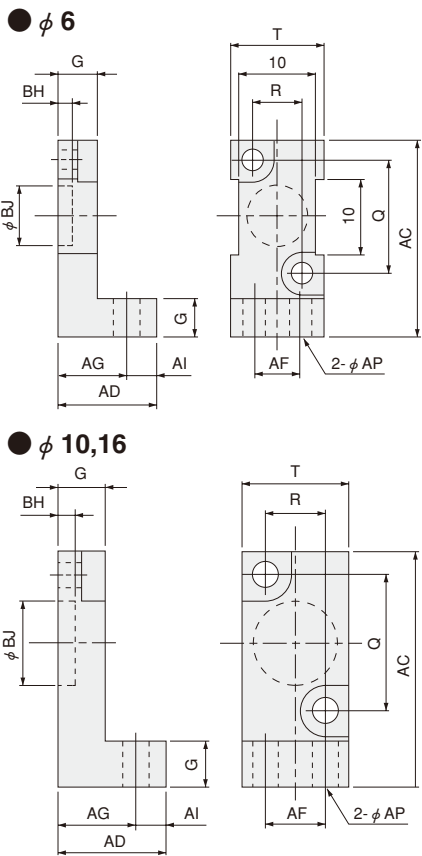
- Remarks: 1. All mounting brackets come with 2 mounting screws.
 2. Order separately for all head side mounting brackets.
 3. For the order codes of rod side mounting brackets assembled with cylinders, see p.99 and 115.
 4. No rod side foot A mount for the non-rotating cylinder is available. For non-rotating double rod cylinders, however, a separately ordered foot A mount can be installed on the rod side opposite the non-rotation plate.
 5. A rod bushing is assembled into the rod side mounting bracket.

How to read the codes

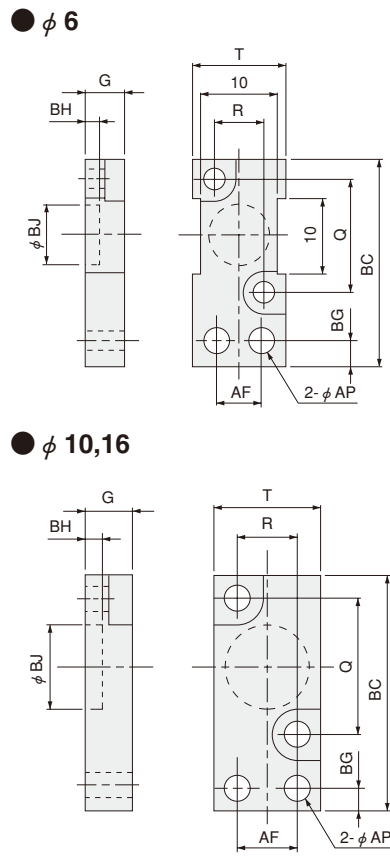


Dimensions of Head Side Mounting Bracket (mm)

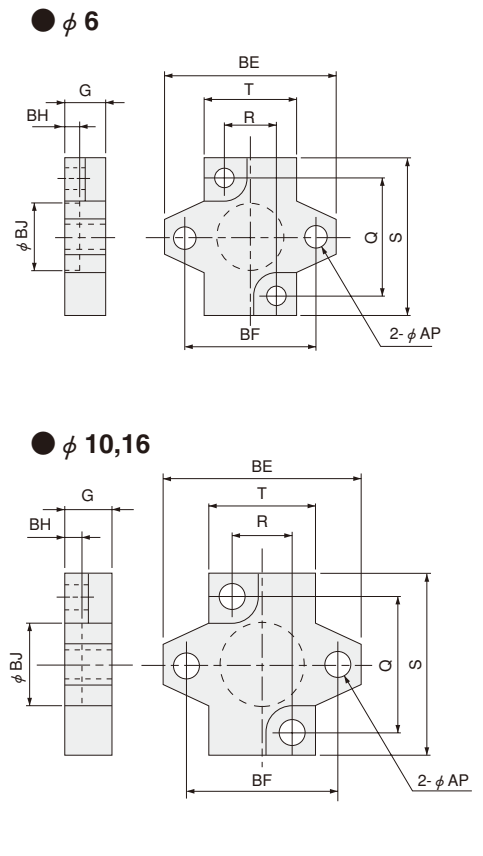
Foot A mount: -1A



Flange A mount: -3A



Flange B mount: -3B

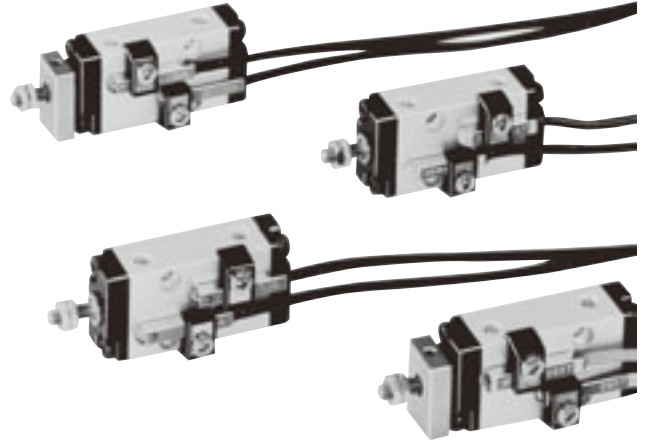


Bore size mm [in.]	Code	G	Q	R	S	T	AC	AD	AF	AG	AI	AP	BC	BE	BF	BG	BH	BJ
6 [0.236]		5	15	7	20	12	26	13	6	9	4	3.5	27.5	24	18	3.5	2 ^{+0.05} ₀	8 ^{+0.1} ₀
10 [0.394]		6	18	8	24	14	31	14	8	10	4	3.5	31.5	26	20	3.5	2 ^{+0.05} ₀	12 ^{+0.1} ₀
16 [0.630]		7	25	12	33	20	41.5	17	12	12	5	4.5	42	36	28	4.5	2 ^{+0.05} ₀	18 ^{+0.1} ₀

Remark: For the side mount (head cover), see the cylinder dimensions.

SENSOR SWITCHES

Solid State Type, Reed Switch Type



MULTI MOUNT CYLINDERS

Order Codes (for Sensor Switches Only)

		Sensor switches	Option		
			Lead wire length	With sensor holder	
Solid state type with indicator lamp	DC10~28V	ZC130	A B	-BDAS6 -BDAS10 -BDAS16	
Solid state type with indicator lamp	DC4.5~28V	ZC153			
Reed switch type without indicator lamp	DC5~28V AC85~115V	CS5T			
Reed switch type with indicator lamp	DC10~28V	CS11T			

- A :1000mm [39in.]
- B :3000mm [118in.]

★ Order codes of sensor holders only

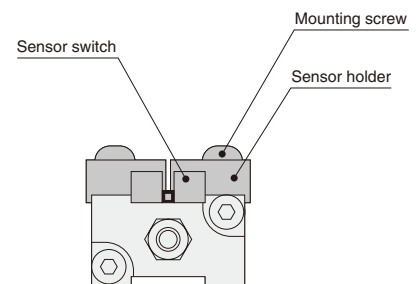
- For ϕ 6 cylinder — C1-BDAS6 ● -BDAS6 : For ϕ 6 cylinder
- For ϕ 10 cylinder — C1-BDAS10 ● -BDAS10 : For ϕ 10 cylinder
- For ϕ 16 cylinder — C1-BDAS16 ● -BDAS16 : For ϕ 16 cylinder

● For sensor switch details, see p.1544.

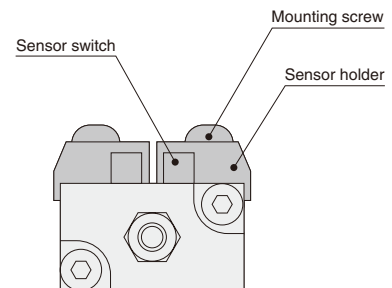
Moving Sensor Switch

- Loosening mounting screw allows the sensor switch to be moved freely in the cylinder's axial direction.
- Tighten the mounting screw with a tightening torque of 19.6N·cm [1.73in·lbf] or less.

● ϕ 6



● ϕ 10,16



Minimum Cylinder Strokes When Using Sensor Switches

Bore size	mm [in.]			
	Solid state type sensor switch		Reed switch type sensor switch	
	Mounting 2 pcs.	Mounting 1 pc.	Mounting 2 pcs.	Mounting 1 pc.
6 [0.236]				
10 [0.394]	5	5	10	5
16 [0.630]				

Remark: Two sensor switches cannot be mounted on a cylinder with flange B mount.

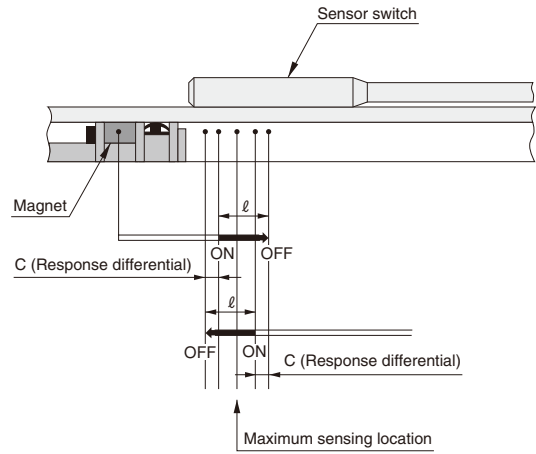
Mount 1 sensor switch on the head side when the flange B mount is used on the rod side, and mount 1 sensor switch on the rod side when the flange B mount is used on the head side.

Sensor Switch Operating Range, Response Differential, and Maximum Sensing Location

- Operating range: ℓ
The distance the piston travels in one direction, while the switch is in the ON position.
- Response differential: C
The distance between the point where the piston turns the switch ON, and the point where the switch is turned OFF as the piston travels in the opposite direction.

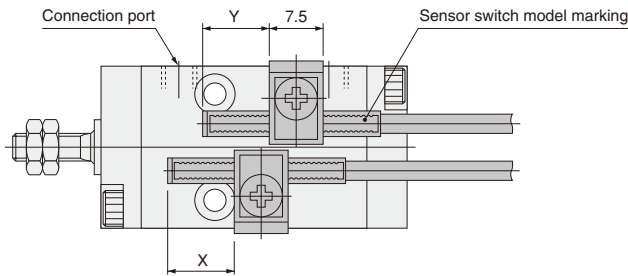
Bore size	ZC130□, ZC153□		CS5T□, CS11T□	
	Operating range	Response differential	Operating range	Response differential
6 [0.236]	2.0~3.0 [0.079~0.118]	0.3 [0.012] or less	4.8~7.2 [0.189~0.283]	1.3 [0.051] or less
10 [0.394]	2.0~3.0 [0.079~0.118]	0.3 [0.012] or less	5.8~8.3 [0.228~0.327]	2.0 [0.079] or less
16 [0.630]	2.5~4.0 [0.098~0.157]	0.3 [0.012] or less	7.5~9.4 [0.295~0.370]	2.5 [0.098] or less

Remark: The above table shows reference values.

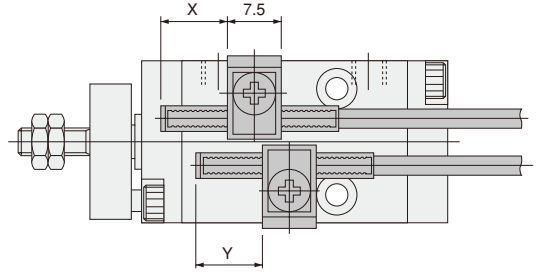


Mounting Location of End of Stroke Detection Sensor Switch

- Cylinder with magnet
- Double rod cylinder with magnet



- Non-rotating cylinder with magnet
- Non-rotating double rod cylinder



Bore size	Mounting location	Sensor switch model		
		ZC130□, ZC153□	CS5T□	CS11T□
6 [0.236]	X	13.0 [0.512]	11.5 [0.453]	15 [0.591]
10 [0.394]	Y	8.0 [0.315]	6.5 [0.256]	10 [0.394]
16 [0.630]	X	14.0 [0.551]	12.5 [0.492]	16 [0.630]
	Y	9.0 [0.354]	7.5 [0.295]	11 [0.433]

Bore size	Mounting location	ZC130□, ZC153□	CS5T□	CS11T□
		6 [0.236]	X	6.0 [0.236]
10 [0.394]	Y	1.0 [0.039]	-0.5 [-0.020]	3 [0.118]
16 [0.630]	X	7.0 [0.276]	5.5 [0.217]	9 [0.354]
	Y	2.0 [0.079]	0.5 [0.020]	4 [0.157]

Bore size	Mounting location	Sensor switch model		
		ZC130□, ZC153□	CS5T□	CS11T□
6 [0.236]	X	8.0 [0.315]	6.5 [0.256]	10 [0.394]
10 [0.394]	Y	8.0 [0.315]	6.5 [0.256]	10 [0.394]
16 [0.630]	X	9.0 [0.354]	7.5 [0.295]	11 [0.433]
	Y	9.0 [0.354]	7.5 [0.295]	11 [0.433]

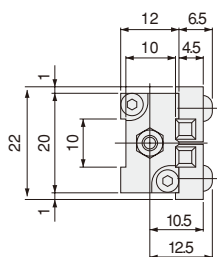
Bore size	Mounting location	ZC130□, ZC153□	CS5T□	CS11T□
		6 [0.236]	X	1.0 [0.039]
10 [0.394]	Y	1.0 [0.039]	-0.5 [-0.020]	3 [0.118]
16 [0.630]	X	2.0 [0.079]	0.5 [0.020]	4 [0.157]
	Y	2.0 [0.079]	0.5 [0.020]	4 [0.157]

Bore size	Mounting location	Sensor switch model		
		ZC130□, ZC153□	CS5T□	CS11T□
6 [0.236]	X	13.0 [0.512]	11.5 [0.453]	15 [0.591]
10 [0.394]	Y	13.0 [0.512]	11.5 [0.453]	15 [0.591]
16 [0.630]	X	14.0 [0.551]	12.5 [0.492]	16 [0.630]
	Y	14.0 [0.551]	12.5 [0.492]	16 [0.630]

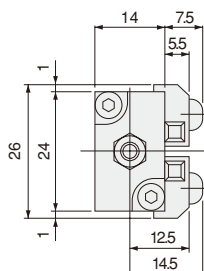
Bore size	Mounting location	ZC130□, ZC153□	CS5T□	CS11T□
		6 [0.236]	X	6.0 [0.236]
10 [0.394]	Y	6.0 [0.236]	11.5 [0.453]	8 [0.315]
16 [0.630]	X	7.0 [0.276]	12.5 [0.492]	9 [0.354]
	Y	7.0 [0.276]	12.5 [0.492]	9 [0.354]

- Remarks:
1. The above tables give reference values for the standard strokes. For the procedure to find-out the best position, see p.129.
 2. The above figures show the piping connection port when it has been turned to face upward.
 3. Use the distance between the cylinder mounting hole and the rod cover to confirm the mounting location of the double rod cylinder's end of stroke detection sensor switch.
 4. Mount the sensor switch so that the surface showing the sensor switch model marking faces up.

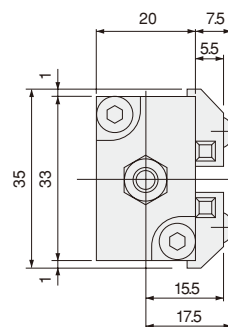
● ϕ 6



● ϕ 10

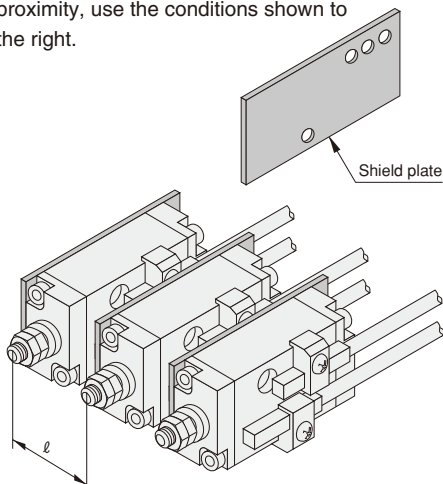


● ϕ 16



Precautions for Mounting Cylinders with Magnet

When mounting 2 or more Multi Mount Cylinders with sensor switches in close proximity, use the conditions shown to the right.



Bore size mm [in.]	Without shield plate		With shield plate
	l	l	l
6 [0.236]	25mm [0.984] or longer	23mm [0.906] or longer	22mm [0.866] or longer
10 [0.394]	29mm [1.142] or longer	31mm [1.220] or longer	25mm [0.984] or longer
16 [0.630]	35mm [1.378] or longer	39mm [1.535] or longer	31mm [1.220] or longer

Remark: Aside from the above, there are no particular restrictions on mounting.

Shield Plate Type (Order Codes)

Operation type Stroke mm Bore size mm [in.]	Applicable shield plate type			
	Double acting type, Double acting double rod type		Single acting push/pull type	
	5, 10, 15	20, 25, 30	5, 10	15
6 [0.236]	BS061	BS062	BS061	BS062
10 [0.394]	BS101	BS102	BS101	BS102
16 [0.630]	BS161	BS162	BS161	BS162

Remarks: 1. All shield plates come with 2 mounting screws.
2. Order all shield plates separately.



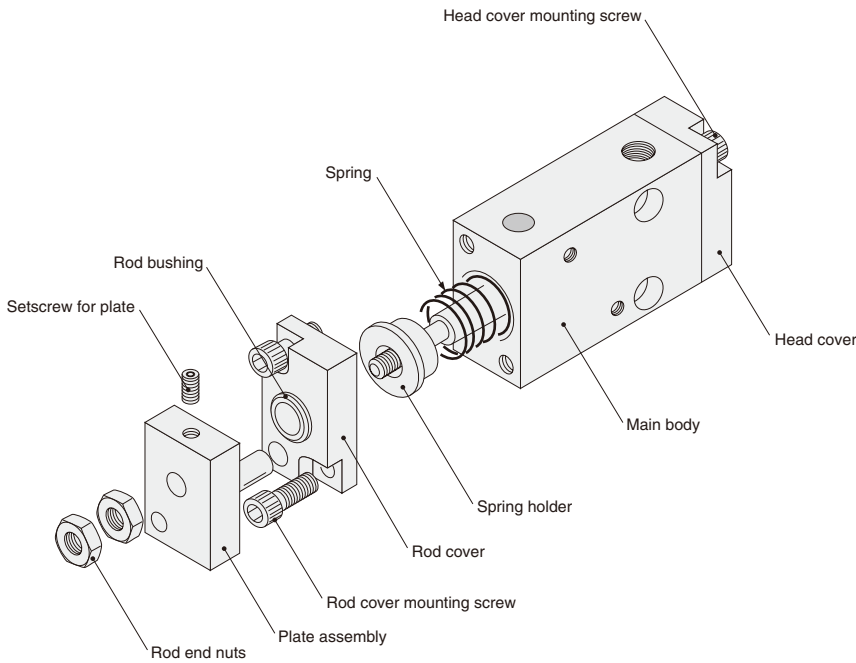


Replacement of mounting brackets

● Rod side mounting bracket

Remove the rod end nut, loosen the rod cover (mounting bracket) mounting screws, and remove the rod cover (mounting bracket). Assemble the replacement mounting bracket by reversing the order of procedures for removal.

For non-rotating cylinders, loosen the setscrew for plate and remove the plate assembly, and remove the rod cover (mounting bracket). For assembly, align and assemble the guide pin holes of the mounting bracket and the cylinder body, insert the plate assembly, and tighten and secure the setscrew for plate against the piston rod. In this case, retract the piston rod in the fully retracted position at the head side stroke end, maintain a clearance of about 0.5mm [0.020in.] between the plate and rod bushing, and secure the plate assembly in place.



The diagram shows a non-rotating single acting push type cylinder.

● Head side mounting bracket

Loosen the head cover (mounting bracket) mounting screws and remove the head cover (mounting bracket). Assemble the replacement mounting bracket by reversing the order of procedures for removal.

- Cautions:**
- To increase the mounting accuracy of the side mounting, assemble so that the rod cover and head cover do not protrude from the cylinder body, and mount so that the cylinder body contacts tightly to the device.
 - Use the supplied mounting screws, or when using commercial screws, use the sizes shown in the table below to secure mounting brackets in place.

Bore size mm [in.]	Screw size	Length of below head mm [in.]
6 [0.236]	M2.6×0.45	6 [0.236]
10 [0.394]	M3×0.5	8 [0.315]
16 [0.630]	M4×0.7	8 [0.315]

- Refer to the figures in the table below for the tightening torque of the non-rotating cylinder's setscrew for plate, and for the size of the Allen wrench used.

Bore size mm [in.]	Tightening torque N·cm [in·lbf]	Hexagonal bar spanner nominal size mm [in.]
6 [0.236]	49 [4.37]	1.27 [0.050]
10 [0.394]	98.1 [8.68]	1.5 [0.059]
16 [0.630]	137.3 [12.2]	2 [0.079]

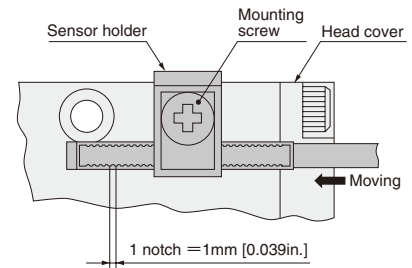


Sensor switches

Procedure for finding the best sensing position

● Setting the head side stroke end

- Push piston rod to the fully retracted position.
- Install a sensor switch in a holder without tightening a mounting screw all the way, move the switch from head side to rod side until it turns ON (for **ZC130**, **ZC153** and **CS11T**, when the LED lights up), then move the switch 1 notch (= 1mm [0.039in.]) for **ZC130** and **ZC153**, or 2 notches (= 2mm [0.079in.]) for **CS5T** and **CS11T** toward the rod side, and tighten the mounting screw.

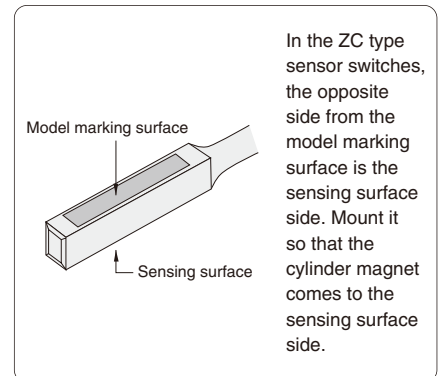


● Setting the rod side stroke end

Conduct the same procedure as the head side, but on the reversed way.

- Pull piston rod to the fully extended position.
- Install a sensor switch in a holder without tightening a mounting screw all the way, move the switch from rod side to head side until it turns ON, then move the switch 1 notch (=1mm [0.039in.]) for **ZC130** and **ZC153**, or 2 notches (=2mm [0.079in.]) for **CS5T** and **CS11T** toward head side, and tighten the mounting screw.

● Caution when installing cylinder with sensor switch





General precautions

Piping

1. In applications with high load ratio or high speed, use an externally mounted stopper to prevent direct shock to the cylinder.
2. Use the cylinder body's 4-M3 × 0.5 female thread only for mounting a sensor switch or shield plate.

Piping

Always thoroughly blow off (use compressed air) the tubing before connecting it to the cylinder. Entering chips, sealing tape, rust, etc., generated during piping work could result in air leaks or other defective operation.

Atmosphere

1. If using in locations subject to dripping water, dripping oil, etc., or to large amounts of dust, use a cover to protect the unit.
2. The product cannot be used when the media or ambient atmosphere contains any of the substances listed below.
Organic solvents, phosphate ester type hydraulic oil, sulphur dioxide, chlorine gas, or acids, etc.

Lubrication

The product can be used without lubrication, if lubrication is required, use Turbine Oil Class 1 (ISO VG32) or equivalent.

Avoid using spindle oil or machine oil.

Media

1. Use air for the media. For the use of any other media, consult us.
2. Air used for the cylinder should be clean air that contains no deteriorated compressor oil, etc. Install an air filter (filtration of a minimum 40 µm) near the cylinder or valve to remove collected liquid or dust. In addition, drain the air filter periodically.