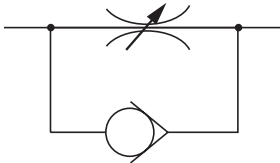


# SPEED CONTROLLERS SCL SERIES

**Male thread, R1/8, R1/4**  
**Female thread, Rc1/8, Rc1/4**

- Compact and lightweight, optimum for Slim Cylinders, etc.
- Enables direct connection to cylinder connection ports, eliminating the piping work and materials.
- Can install L shaped piping to maintain compact piping setups.

## Symbol



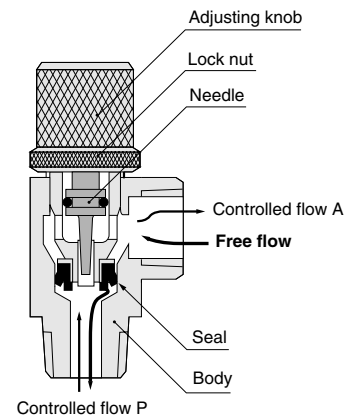
SCL1

SCL2

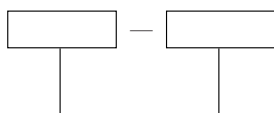
## Specifications

Item	Model	SCL1	SCL2
Mounting type		Male thread specification, enabling direct cylinder mounting	
Port size		R1/8 Controlled flow P: male thread A: female thread Rc1/8	R1/4 Controlled flow P: male thread A: female thread Rc1/4
Media		Air	
Operating pressure range	MPa [psi.]	0~0.9 [0~131]	
Proof pressure	MPa [psi.]	1.32 [191]	
Cracking pressure	MPa [psi.]	0.06 [8.7]	
Operating temperature range	°C [°F]	5~60 [41~140]	
Mass	g [oz.]	46 [1.62]	125 [4.41]
Materials	Body	Brass (nickel plated)	
	Needle	Stainless steel	
	Seal	Synthetic rubber (NBR)	

## Inner Construction and Major Parts



## Order Codes

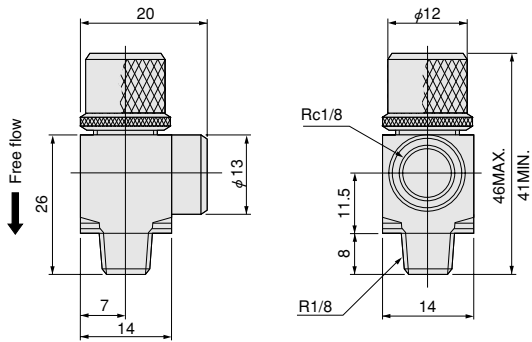


**Model**  
SCL1  
SCL2

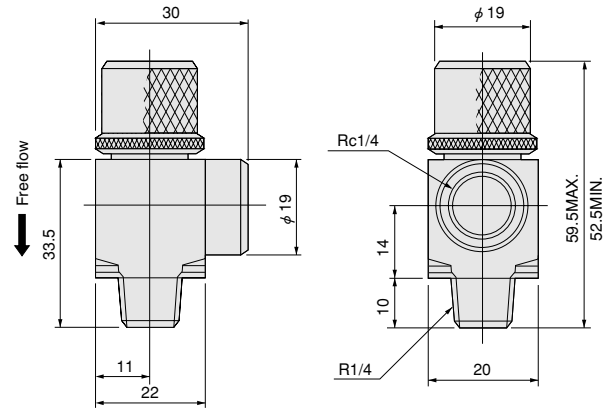
**Non-ion specification**  
Blank — Standard specification  
NCU — Non-ion specification

## Dimensions (mm)

### ● SCL1

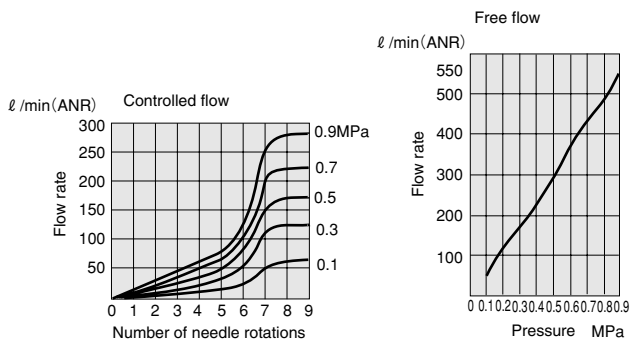


### ● SCL2



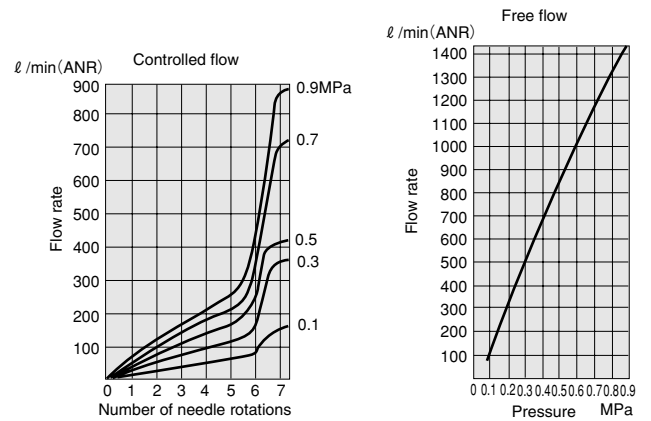
## Flow Rate Characteristics

### ● SCL1



1MPa = 145psi. 1 l/min = 0.0353ft<sup>3</sup>/min

### ● SCL2



1MPa = 145psi. 1 l/min = 0.0353ft<sup>3</sup>/min.